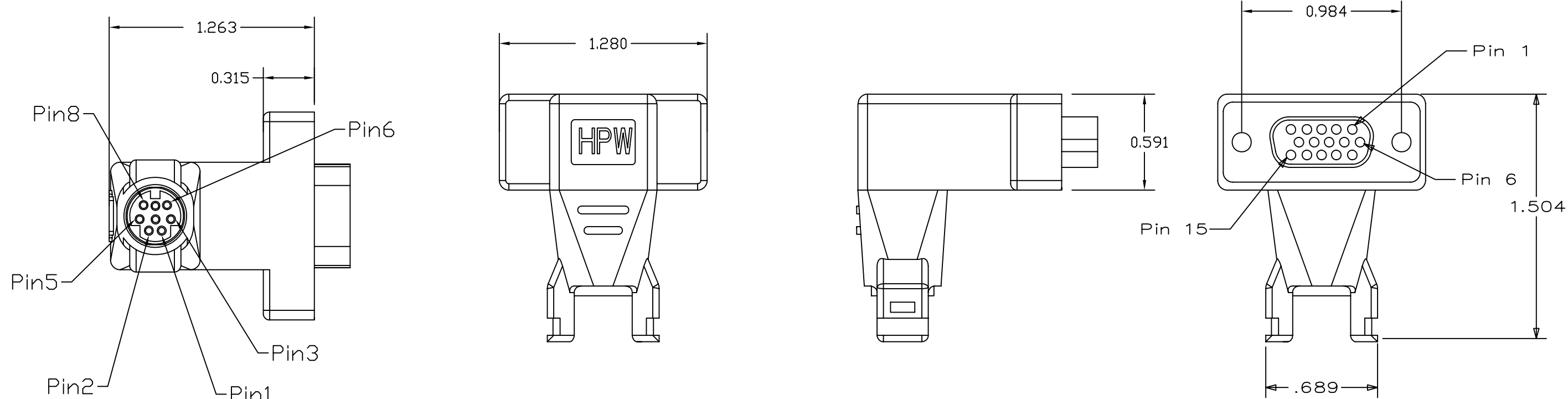


6 5 4 3 2 1

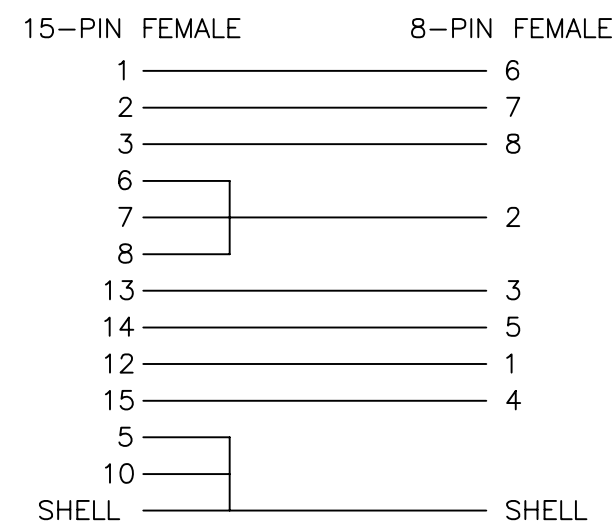
CATALOG NUMBER	COLOR	DESCRIPTION
15N6P1	BLUE	8 TO 15 PIN, 90 DEG. 1 PK
15N6P10	BLUE	8 TO 15 PIN, 90 DEG. 10 PK




NOTES:

- CONTACTS: GOLD PLATED.
- 15-PIN CONNECTOR SIDE MOUNTS TO AN INFINESTATION MODULE PLATE USING TWO HEX SCREWS (NOT SHOWN).
- MOLDED IN SLOTS ON 8-PIN SIDE TO ACCOMMODATE A WIRE-TIE FOR ADDED STRAIN RELIEF, IF DESIRED.
- FOR USE WITH VIDEO DISTRIBUTION DEVICES SUCH AS PROJECTORS, CAMERAS, AND COMPUTERS.
- CONNECTOR AND MOUNTING HARDWARE SOLD IN SINGLE PACKS OR IN PACKAGES OF 10.
- SPECIFICATIONS SUBJECT TO CHANGE WITHOUT PRIOR NOTIFICATION.

PIN OUT DETAIL



REV.	ECN	DATE	DESCRIPTION	CHG BY	APPD BY
A	6142	9/4/07	INITIAL RELEASE	DPO	

Created on AUTOCAD	DIMENSIONING AND TOLERANCE PER ANSI Y14.5M-1982 UNLESS OTHERWISE SPECIFIED, DIMENSIONS ARE IN INCHES (MM). TOLERANCES .XX = ±.01 (.25) .XXX = ±.005 (.127) .XXXX = ±.0025 (.0635) ANGLE TOL ±1°		PROJECT REFERENCE: 2005-020	 Hubbell Premise Wiring HUBBELL INCORPORATED (Delaware) 14 Lord's Hill Road, Stonington, Connecticut 06378
	IN ACCEPTING OUR DRAWINGS, BLUEPRINTS, OR SUPPORTING DOCUMENTATION FOR QUOTATION OR OTHER PURPOSES, YOU AGREE NOT TO DISCLOSE TO OTHERS THE IDEAS, INFORMATION, OR DESIGNS SHOWN HEREIN, AND THAT YOU WILL MAKE NO USE OF SAME WITHOUT PERMISSION		MATERIAL:	
			DRAWN BY: D.O'CONNOR 9/4/07	TITLE: 8 PIN DIN TO 15 PIN SVGA, 90 DEGREE ADAPTER
			CHECKED BY:	SIZE: C DRAWING NO. HWS12573C REV. A
		APPROVED BY:	SCALE: DNS SHEET 1 OF 1	