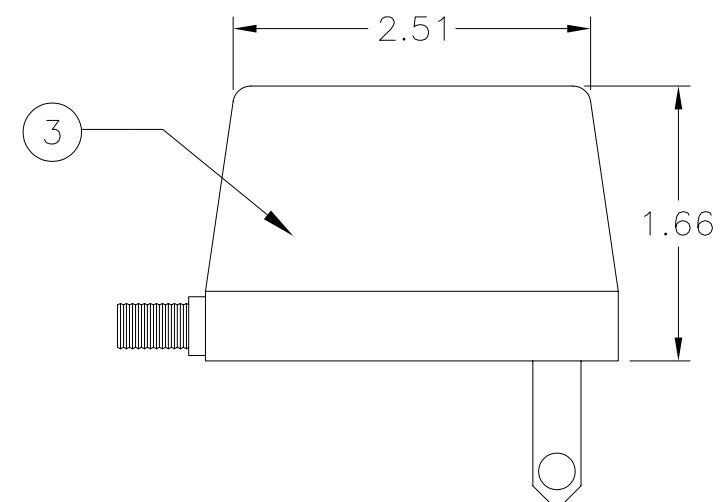
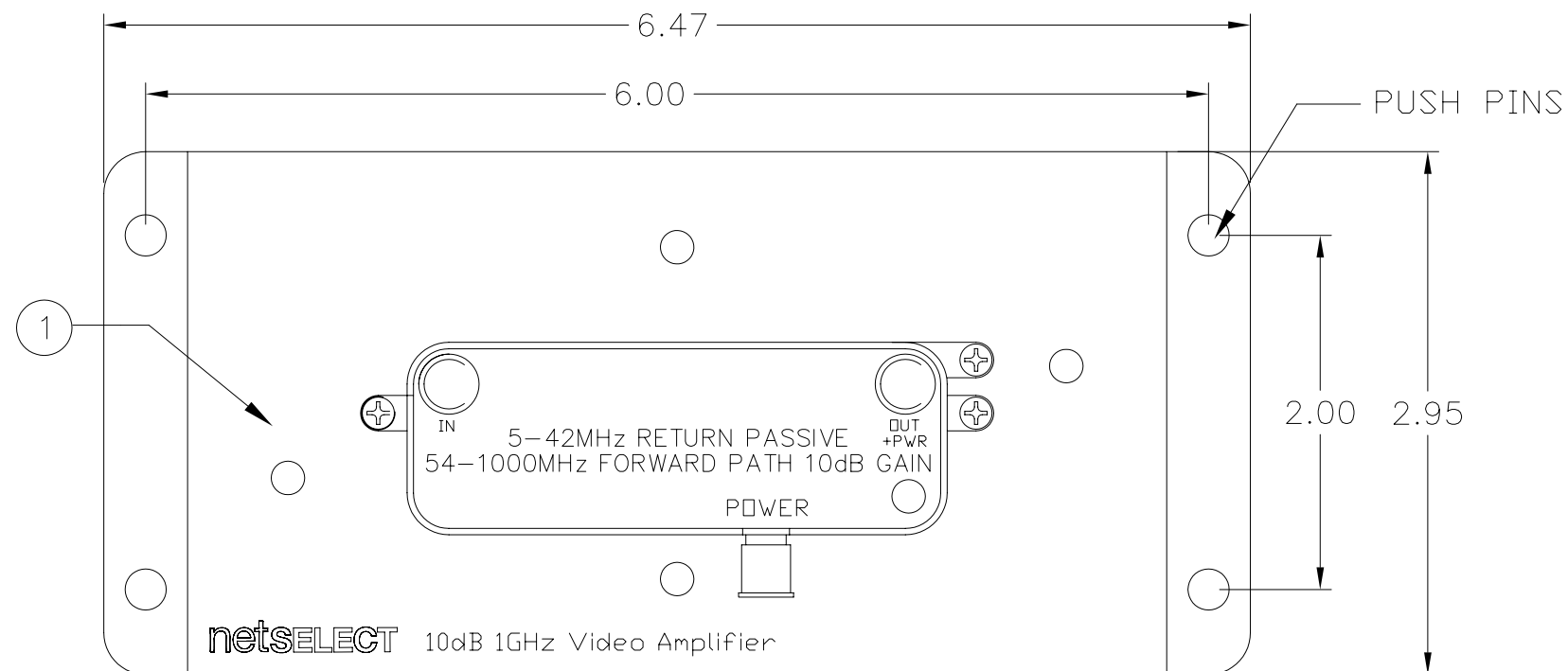


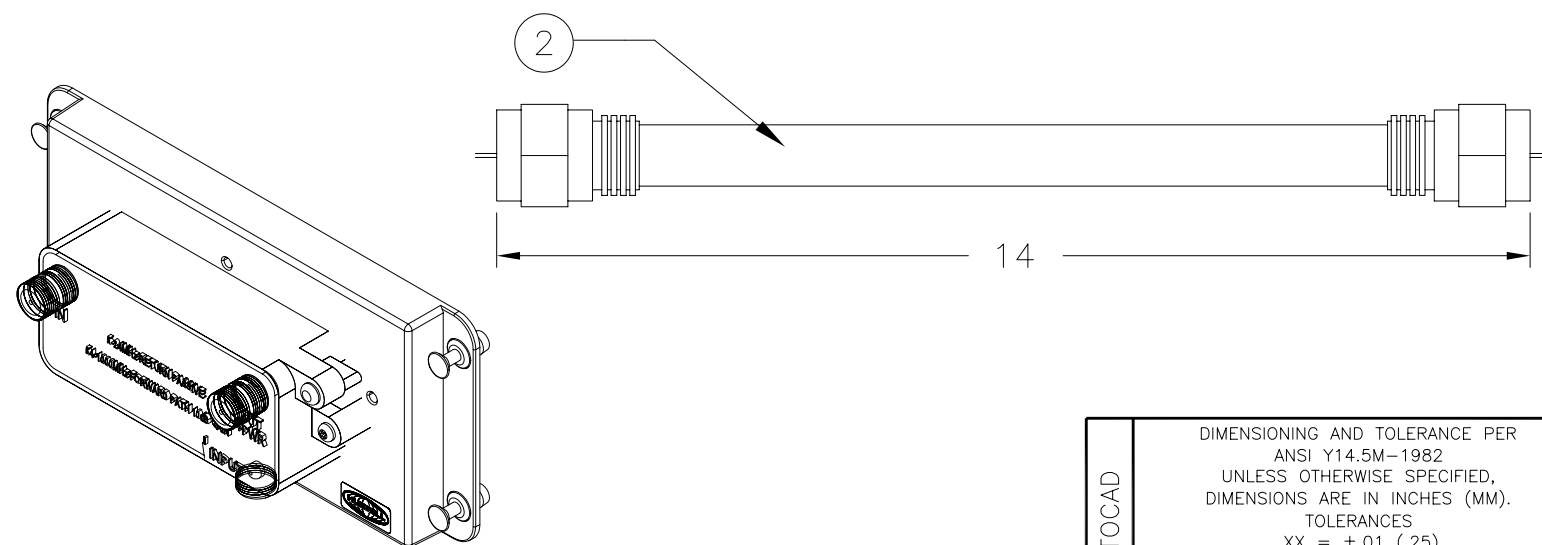
ITEM NO.	DESCRIPTION	QTY.
1	VIDEO AMPLIFIER MODULE 1GHz	1
2	14 INCH RG-59 CABLE	1
3	POWER ADAPTOR	1
4	INSTRUCTION SHEET (NOT SHOWN)	1

CATALOG NUMBER	DESCRIPTION
NSOVAMP	VIDEO AMPLIFIER 10Db 1GHz



### 1. SPECIFICATIONS:


FORWARD TRANSMISSION	
FREQUENCY RANGE(MHz)	54(85)-1000
RATED GAIN(dB)	10dB
FLATNESS IN BAND(dB)	±1.0
NOISE FIGURE(dB)	≥ 5.0
RETURN LOSS(dB)	≥ 16
RATED INPUT LEVEL	85dBuV
RATED OUTPUT LEVEL	75dBuV
REVERSE TRANSMISSION	
FREQUENCY RANGE(MHz)	5-42(65)
RATED GAIN(dB)	0&10
FLATNESS IN BAND(dB)	±0.5
RETURN LOSS(dB)	≥ 16
POWER VOLTAGE	DC12V



2. COLOR: BLACK WITH WHITE SILK-SCREEN.

3. SPECIFICATIONS SUBJECT TO CHANGE WITHOUT NOTICE.

A	6270	01/24/08	INITIAL RELEASE	BTM	
REV.	ECN	DATE	DESCRIPTION	CHG BY	APPD BY

Created on AUTOCAD	DIMENSIONING AND TOLERANCE PER ANSI Y14.5M-1982 UNLESS OTHERWISE SPECIFIED, DIMENSIONS ARE IN INCHES (MM). TOLERANCES .XX = ±.01 (.25) .XXX = ±.005 (.127) .XXXX = ±.0025 (.0635) ANGLE TOL ±1°		PROJECT REFERENCE: 2008-009		 <b>Hubbell Premise Wiring</b> HUBBELL INCORPORATED (Delaware) 14 Lord's Hill Road, Stonington, Connecticut 06378
	MATERIAL: BRACKET: ABS PLASTIC UL 94-V0		DRAWN BY: B MARTINO 01/24/08		
	IN ACCEPTING OUR DRAWINGS, BLUEPRINTS, OR SUPPORTING DOCUMENTATION FOR QUOTATION OR OTHER PURPOSES, YOU AGREE NOT TO DISCLOSE TO OTHERS THE IDEAS, INFORMATION, OR DESIGNS SHOWN HEREIN, AND THAT YOU WILL MAKE NO USE OF SAME WITHOUT PERMISSION		CHECKED BY:		TITLE: 10dB FIXED VIDEO AMPLIFIER MODULE
			APPROVED BY:		SIZE: <b>B</b> DRAWING NO.: <b>HWS12638C</b> SCALE: <b>N/A</b>
				REV. <b>A</b>	SHEET <b>1</b> OF <b>1</b>