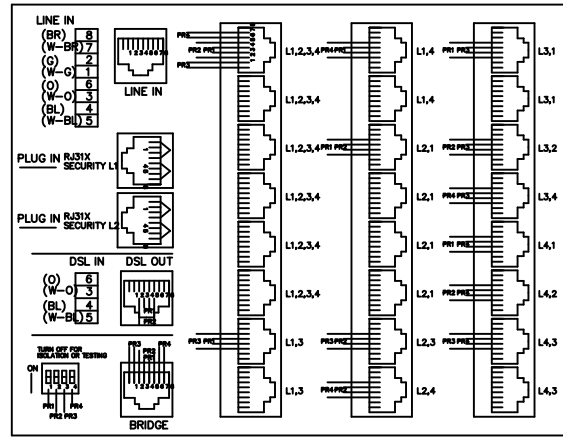
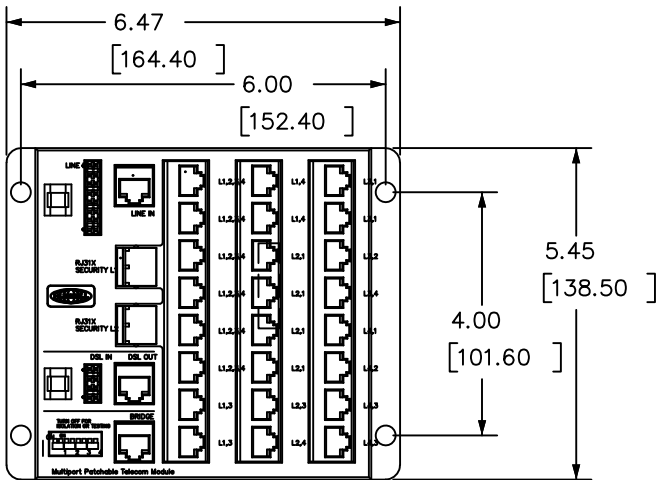


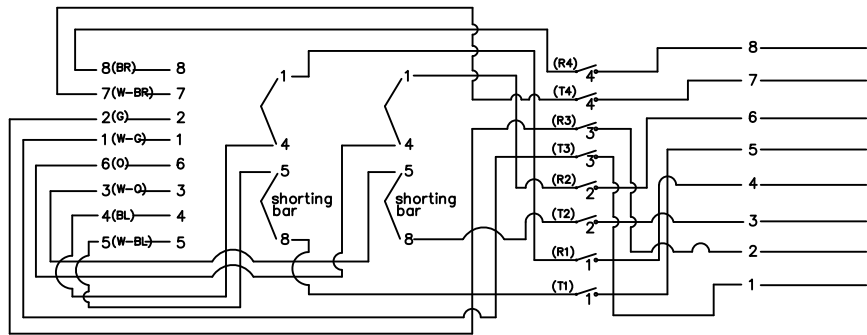
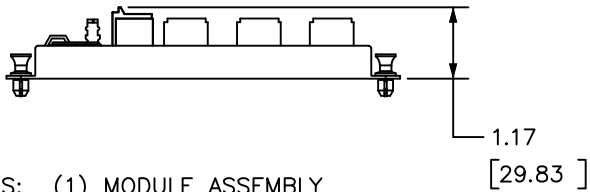
6 5 4 3 2 1

CATALOG NUMBER	DESCRIPTION
NSOMTM24	SOHO MULTIPOINT PATCHABLE TELECOM MODULE




WIRING DIAGRAM

LINE IN (IDC)    LINE IN (RJ45)    RJ31X FROM L1    RJ31X FROM L2    (TURN OFF FOR ISOLATION TESTING) DIP SWITCH    BRIDGE



NOTES:

- ASSEMBLY CONTAINS: (1) MODULE ASSEMBLY  
(1) INSTRUCTION SHEET
- REQUIREMENTS:  
MEETS FCC PART 68.
- SPECIFICATIONS SUBJECT TO CHANGE WITHOUT NOTICE.

Created on AUTOCAD	DIMENSIONING AND TOLERANCE PER ANSI Y14.5M-1982 UNLESS OTHERWISE SPECIFIED, DIMENSIONS ARE IN INCHES (MM). TOLERANCES .XX = ±.01 (.25) .XXX = ±.005 (.127) .XXXX = ±.0025 (.0635) ANGLE TOL ±1°		PROJECT REFERENCE: 2008-009		 <b>Hubbell Premise Wiring</b> HUBBELL INCORPORATED (Delaware) 14 Lord's Hill Road, Stonington, Connecticut 06378		
	IN ACCEPTING OUR DRAWINGS, BLUEPRINTS, OR SUPPORTING DOCUMENTATION FOR QUOTATION OR OTHER PURPOSES, YOU AGREE NOT TO DISCLOSE TO OTHERS THE IDEAS, INFORMATION, OR DESIGNS SHOWN HEREIN, AND THAT YOU WILL MAKE NO USE OF SAME WITHOUT PERMISSION		MATERIAL: BASE/COVER: BLACK ABS PLASTIC UL94-V0			TITLE: SOHO Multipoint Patchable Telecom Module	
			DRAWN BY: B MARTINO 02/27/08		SIZE <b>B</b>	DRAWING NO. <b>HWS12651C</b>	REV. <b>A</b>
			CHECKED BY:		SCALE: N/A	SHEET 1 OF 1	

A	6308	02/27/08	INITIAL_RELEASE	BTM	
REV.	ECN	DATE	DESCRIPTION	CHG BY	APPD BY