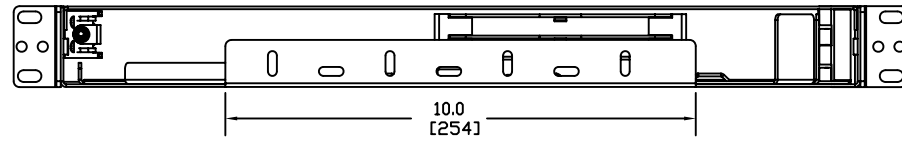
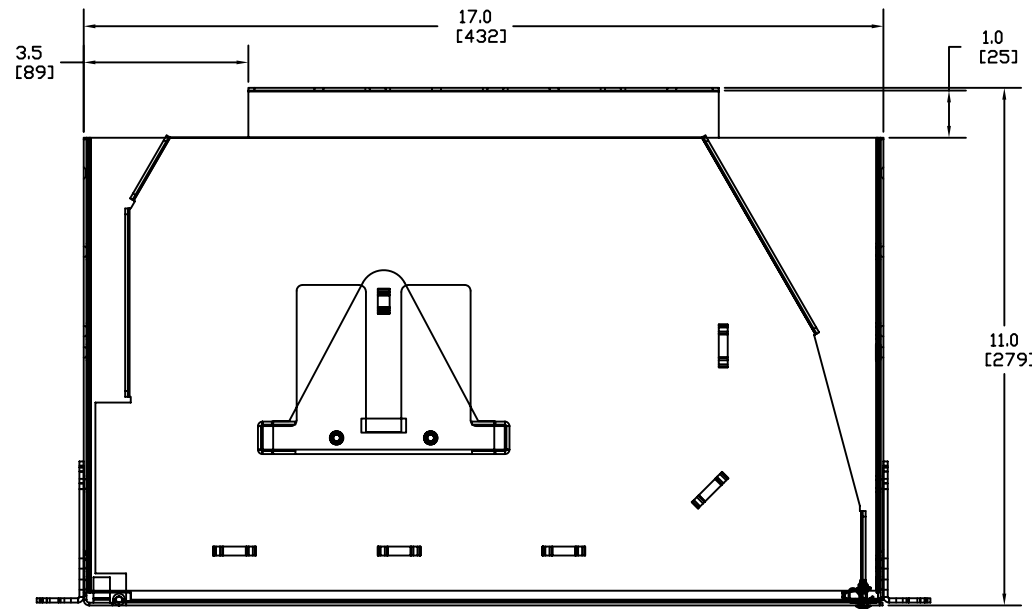


ITEM NO.	DESCRIPTION	QTY.
1	FSS SERIES SPLICE SHELF	1
2	MOUNTING BRACKETS	2
3	1U SPLICE TRAY HOLDER ASSEMBLY	1
4	1/4 TURN CAPTIVE FASTENER	1

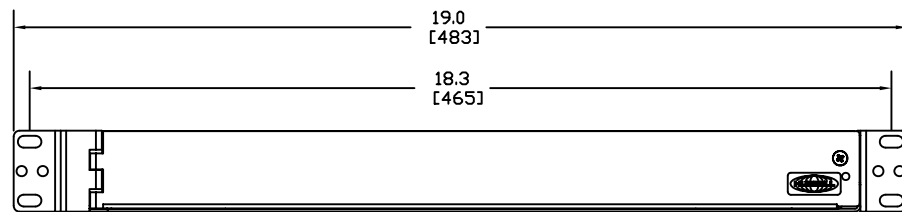
CATALOG NUMBER	DESCRIPTION
FSS01A	FSS SERIES FIBER OPTIC SPLICE SHELF



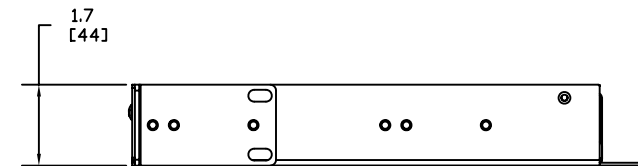
**REAR VIEW**



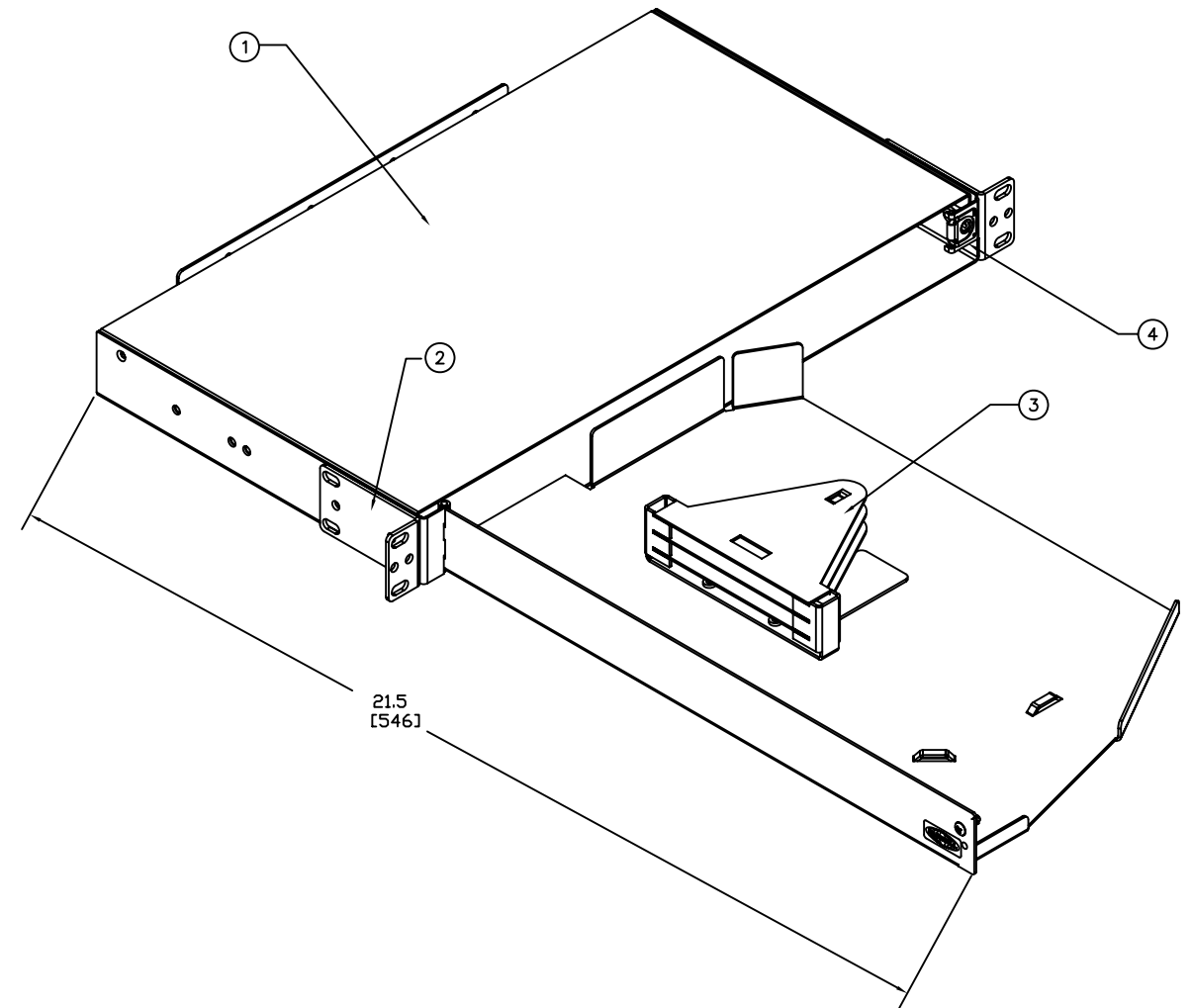
**TOP VIEW**



**FRONT VIEW**



**SIDE VIEW**



Created on AUTOCAD

DIMENSIONING AND TOLERANCE PER ANSI Y14.5M-1982  
UNLESS OTHERWISE SPECIFIED, DIMENSIONS ARE IN INCHES (MM).  
TOLERANCES  
.XX = ±.01 (.25)  
.XXX = ±.005 (.127)  
.XXXX = ±.0025 (.0635)  
ANGLE TOL ±1'

IN ACCEPTING OUR DRAWINGS, BLUEPRINTS, OR SUPPORTING DOCUMENTATION FOR QUOTATION OR OTHER PURPOSES, YOU AGREE NOT TO DISCLOSE TO OTHERS THE IDEAS, INFORMATION, OR DESIGNS SHOWN HEREIN, AND THAT YOU WILL MAKE NO USE OF SAME WITHOUT PERMISSION

PROJECT REFERENCE:  
050-08

MATERIAL:  
SEE NOTES

DRAWN BY:  
C. DUSSAULT 12/22/08

CHECKED BY:

APPROVED BY:

<b>Hubbell Premise Wiring</b> HUBBELL INCORPORATED (Delaware) 14 Lord's Hill Road, Stonington, Connecticut 06378		TITLE: FIBER OPTIC SWING OUT SPLICE SHELF	
		SIZE D	DRAWING NO. HWS12733C
SCALE: 1/1		SHEET 1 OF 1	

REV.	ECN	DATE	DESCRIPTION	CHG BY	APPD BY
A	6486	112/11/08	INITIAL RELEASE	CD	