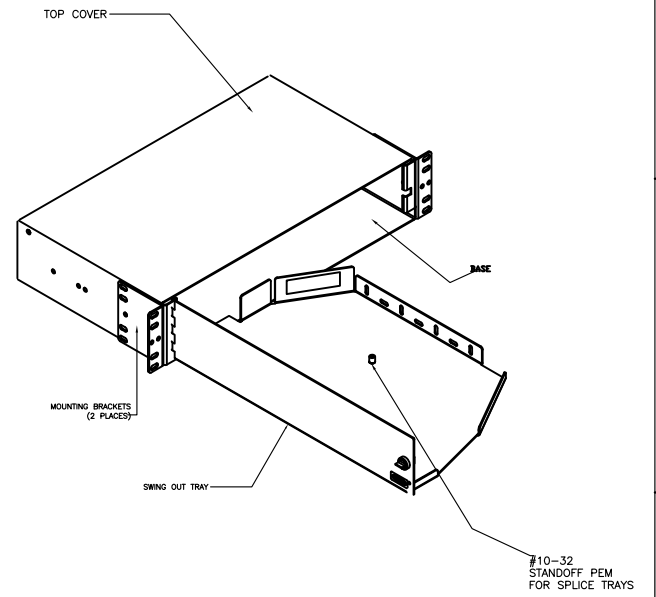
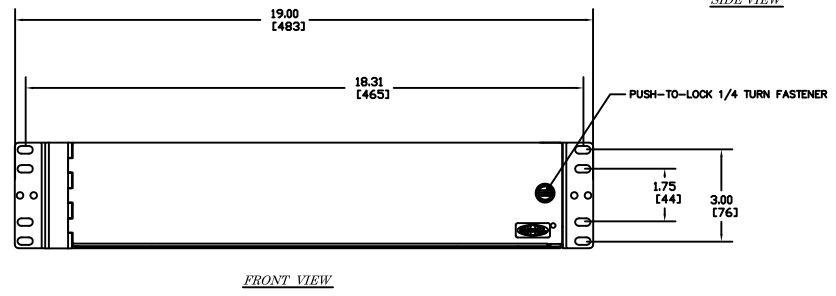
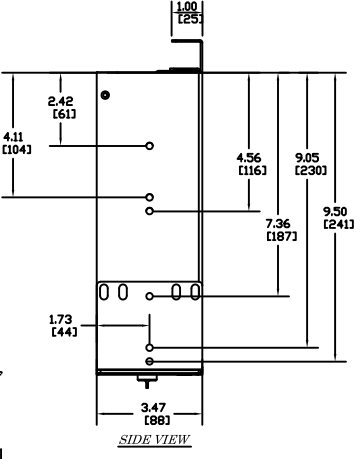
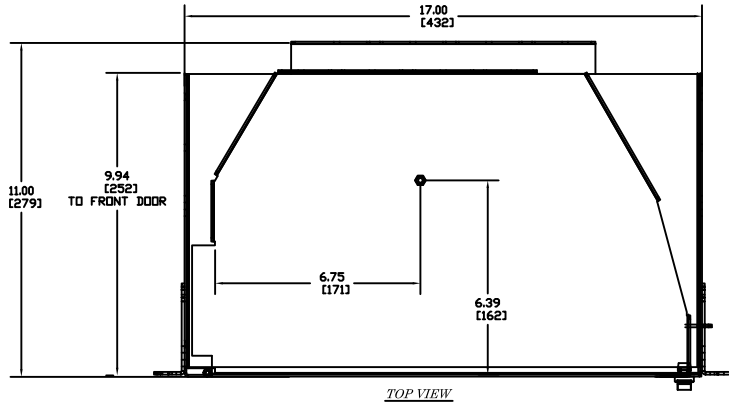



| ITEM NO. | DESCRIPTION | QTY. |
|----------|---|------|
| 1 | SCREW, #12-24 X 3/8", PHILLIPS PAN HEAD | 4 |
| 2 | SCREW, #10-32 X 1/4", PHILLIPS PAN HEAD | 4 |
| 3 | STUD, SPLICE TRAY, #10-32 X 3", SS | 1 |
| 4 | WING NUT, #10-32, NYLON | 1 |
| 5 | WASHER, FLAT, NYLON | 1 |
| 6 | CABLE CLIPS, ADHESIVE BACK | 4 |
| 7 | PUSH-TO-LOCK, 1/4 TURN FASTENER | 1 |
| 8 | WIRE TIE, 10" LENGTH, BLACK | 4 |
| 9 | BRACKET, MOUNTING, 19" & 23" | 2 |
| 10 | INSTRUCTION SHEET | 1 |
| 11 | LABEL, DANGER | 1 |
| 12 | LABEL, GRID | 1 |

| CATALOG NUMBER | DESCRIPTION |
|----------------|---------------------------------------|
| FSS02S | ASSY, FSS, 2U, FIBER SPLICE ENCLOSURE |



- NOTES:
- UNIT HAS SWING OUT TRAY FOR EASY SPLICE CONNECTIONS.
 - MOUNTING BRACKETS FOR 19" OR 23" UNIVERSAL SPACING
 - BASE, TRAY AND COVER: 16 GA CRS.
 - MOUNTING BRACKETS: 13 GA CRS.
 - ALL METAL IS BLACK ELECTROSTATICALLY POWDER COATED.

| REV. | ECN | DATE | DESCRIPTION | CHG BY | APPD BY |
|------|-------|----------|-------------------|--------|---------|
| B | 21392 | 02/03/18 | UPDATED HARDWARE. | JRJ | |

| | | | | | | |
|--------------------|--|--|---|---|---------------------------------------|-----------|
| Checked on AUTOCAD | DIMENSIONING AND TOLERANCE PER ANSI Y14.5M-1992 UNLESS OTHERWISE SPECIFIED, DIMENSIONS ARE IN INCHES (MM). TOLERANCES X = ±0.03 (±0) XX = ±0.02 (±0) XXX = ±0.01 (±0) ANGLE TOL. ±1° | PROJECT REFERENCE: 050-08 MATERIAL: DRAWN BY: N.RICHARDS 02/12/09 CHECKED BY: APPROVED BY: |  Hubbell Premise Wiring HUBBELL INCORPORATED (Delaware) 14 Lord's Hill Road, Storington, Connecticut 06378 | TITLE: ASSY, 2U FIBER SPLICE ENCLOSURE | SIZE D DRAWING NO. HWS12758C | REV. B |
| | IN ACCEPTING OUR DIMENSIONS, SPECIFICATIONS, OR SUPPORTING DOCUMENTATION FOR QUOTATION OR OTHER PURPOSES, YOU AGREE NOT TO DISCLOSE TO OTHERS THE IDEAS, INFORMATION, OR DESIGN SHOWN HEREIN, AND THAT YOU WILL HAVE NO USE OF SAME WITHOUT PERMISSION | SCALE: 1/2 SHEET 1 OF 1 | | | | |