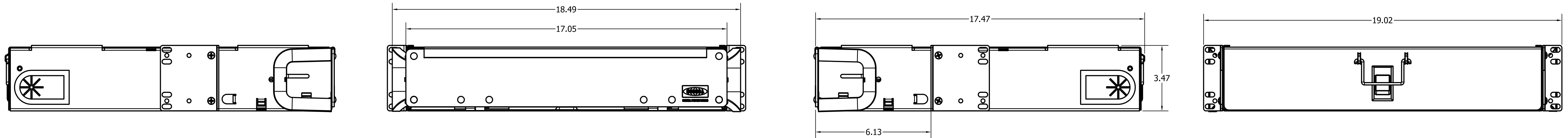
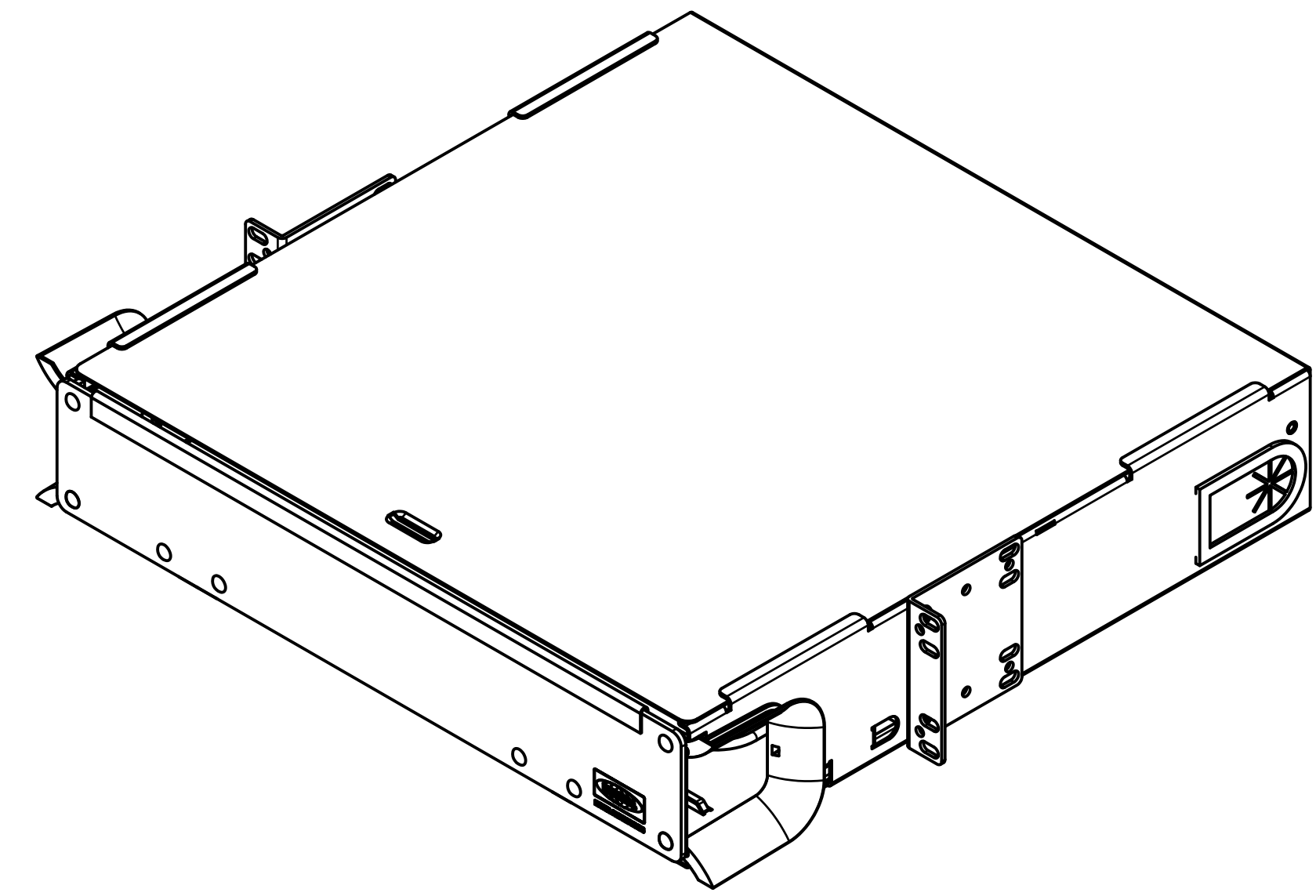
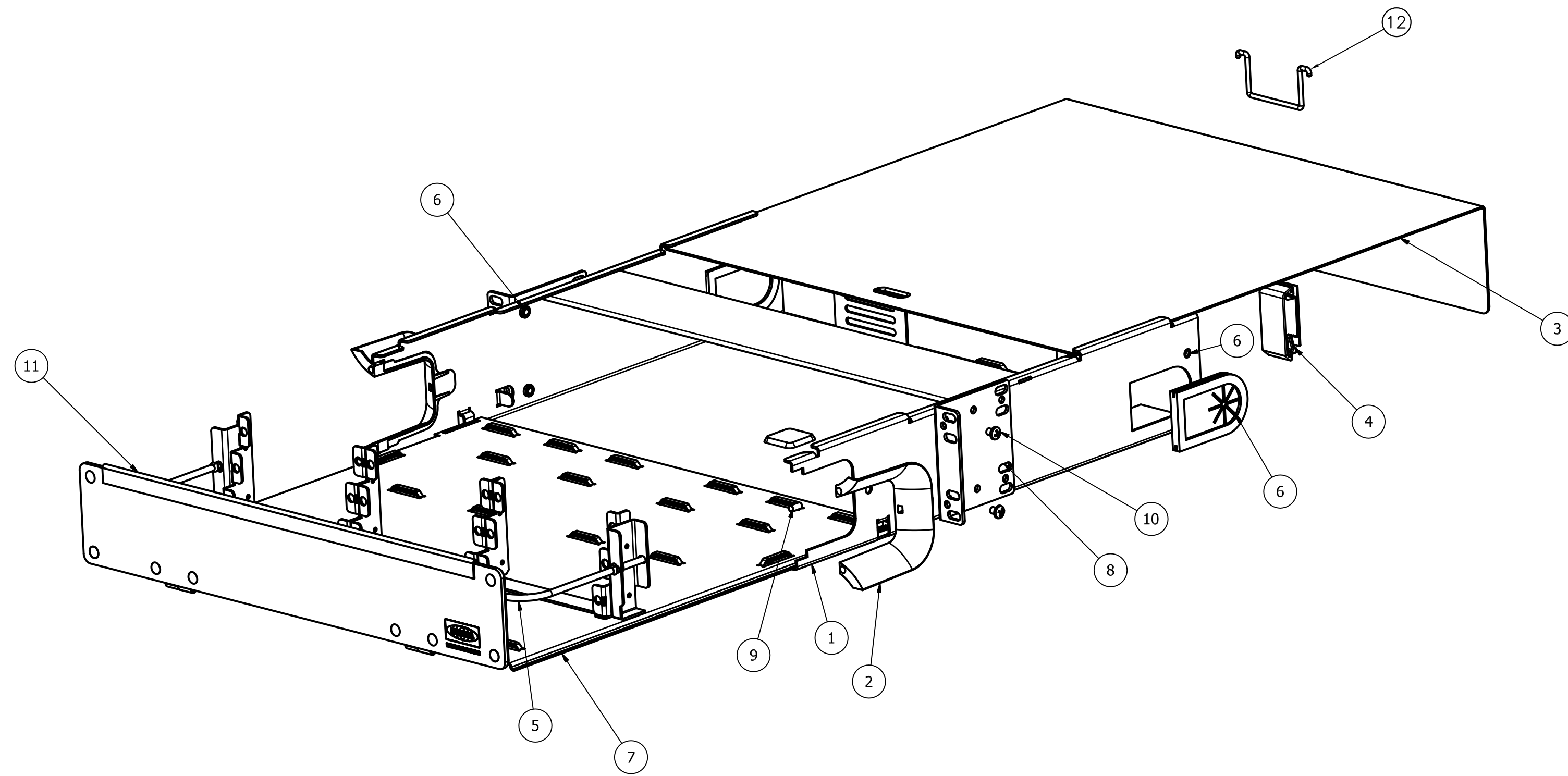


CATALOG NUMBER	DESCRIPTION
FCR2U9SP	2U FIBER ENCLOSURE, BLACK




NOTES:

1. SPECIFICATIONS SUBJECT TO CHANGE WITHOUT NOTICE.

DESCRIPTION	QTY.
WIRE TIE, 10.75", BLACK	8
#12-24 HARDWARE PACK	1
DANGER LABEL	1
VELCRO FASTENER STRAP, 2 FT ROLL	1
INSTRUCTION SHEET	1
PLASTIC FIBER ROUTING SPOOL	4
LABEL SHEET	2

ITEM	QTY	DESCRIPTION
13	1	ACCESSORY KIT (NOT SHOWN)
12	1	GRAB HANDLE
11	1	LABEL HOLDER
10	4	10-32X1/4" PAN HD PHL P,SS
9	4	MAGNET DOOR LATCH
8	2	MOUNTING BRACKET
7	1	TRAY SUB ASSEMBLY
6	2	CABLE GROMMET
5	1	FRONT CABLE MANAGER BAR
4	1	SLIDE LATCH
3	1	COVER
2	2	BEND RELIEF BRACKET
1	1	BASE

REV.	ECN	DATE	DESCRIPTION	CHG BY	APPD BY
2	17938	06/14/12	REMOVED FCR2UPSPL	DPO	MMA

Created on AUTOCAD	DIMENSIONING AND TOLERANCE PER ANSI Y14.5M-1982 UNLESS OTHERWISE SPECIFIED, DIMENSIONS ARE IN INCHES (MM). TOLERANCES .XX = ±.01 (.25) .XXX = ±.005 (.127) .XXXX = ±.0025 (.0635) ANGLE TOL ±1°		PROJECT REFERENCE: 2008-030	 Hubbell Premise Wiring HUBBELL INCORPORATED (Delaware) 23 CLARA DRIVE, SUITE 103 MYSTIC, CT 06355
	IN ACCEPTING OUR DRAWINGS, BLUEPRINTS, OR SUPPORTING DOCUMENTATION FOR QUOTATION OR OTHER PURPOSES, YOU AGREE NOT TO DISCLOSE TO OTHERS THE IDEAS, INFORMATION, OR DESIGNS SHOWN HEREIN, AND THAT YOU WILL MAKE NO USE OF SAME WITHOUT PERMISSION		MATERIAL: N/A	
DRAWN BY: D.O'CONNOR 11/11/11		CHECKED BY:		SIZE: D
APPROVED BY:		DRAWING NO. HWS12901C		REV. 2
SCALE: N/A		SHEET 1 OF 1		