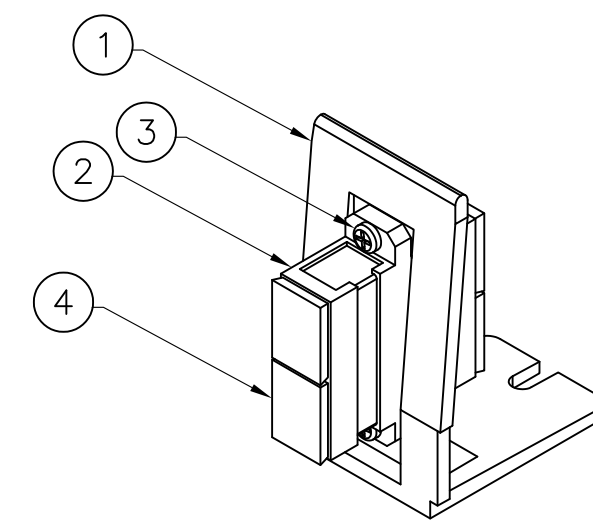
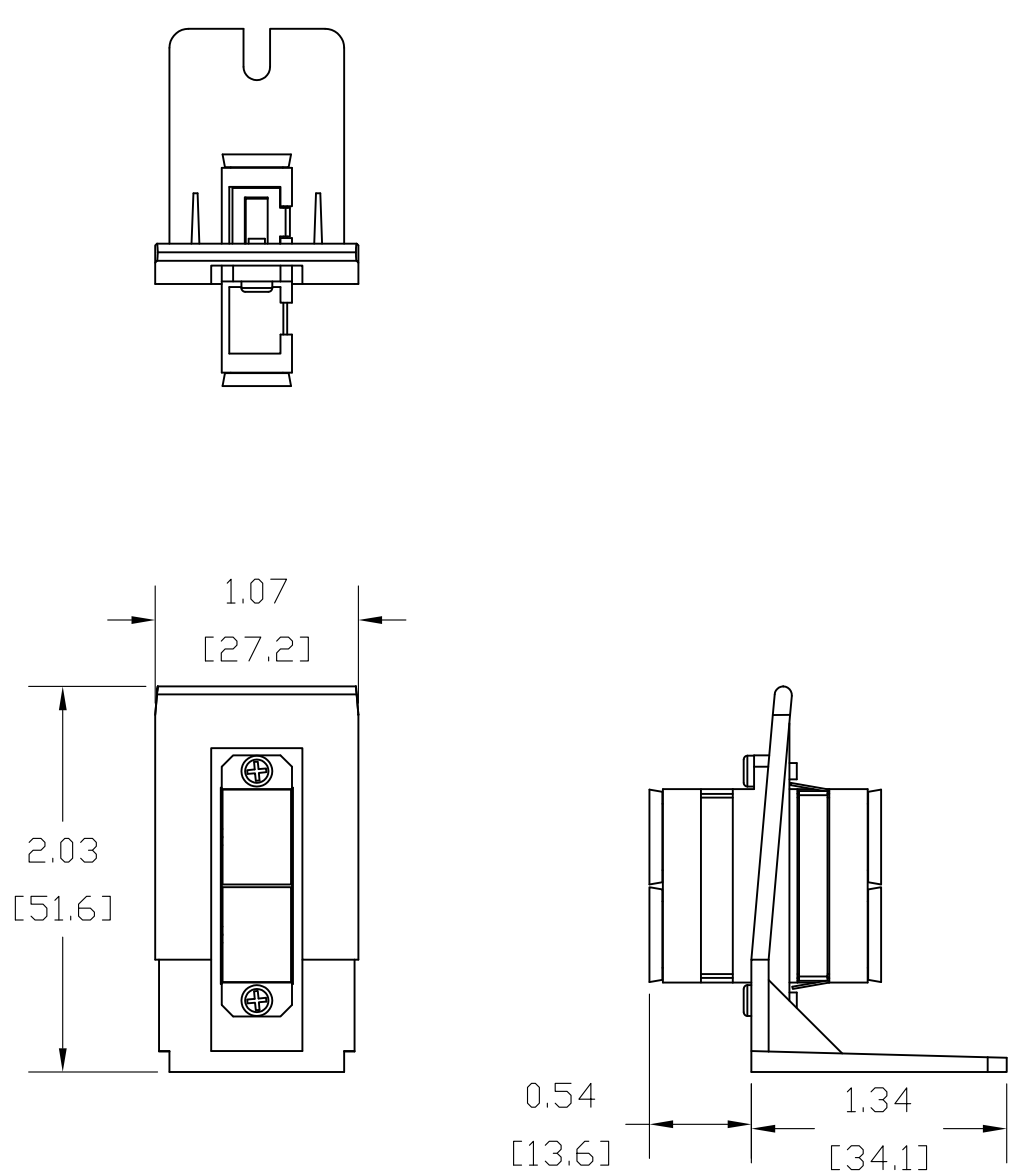



ITEM NO.	DESCRIPTION	QTY.	CATALOG NUMBER	DESCRIPTION	ADAPTER COLOR	SPLIT SLEEVE MAT'L
1	AMO BRACKET	1	AMOBSCDSAQ	AMO BRACKET W/SC QUAD	AQUA	ZIRCONIA
2	SC QUAD ADAPTER	1				
3	ADAPTER MOUNTING SCREWS	2				
4	ADAPTER DUST CAPS	4				



NOTES:

- BRACKET FITS INTO AMO HOUSING.
- BRACKET COLOR IS OFFICE WHITE.
- SCREW MOUNT ADAPTERS FOR EXTRA STABILITY.
- ADAPTERS SUPPLIED WITH DUST CAPS INSTALLED.
- SPECIFICATIONS SUBJECT TO CHANGE WITHOUT NOTICE.

REV.	ECN	DATE	DESCRIPTION	CHG BY	APPD BY
1	17005	1/11/11	INITIAL RELEASE	CG	

Created on AUTOCAD	DIMENSIONING AND TOLERANCE PER ANSI Y14.5M-1982 UNLESS OTHERWISE SPECIFIED, DIMENSIONS ARE IN INCHES (MM). TOLERANCES .XX = ±.01 (.25) .XXX = ±.005 (.127) .XXXX = ±.0025 (.0635) ANGLE TOL ±1°		PROJECT REFERENCE: 048-11		 Hubbell Premise Wiring HUBBELL INCORPORATED (Delaware) 14 Lord's Hill Road, Stonington, Connecticut 06378
	IN ACCEPTING OUR DRAWINGS, BLUEPRINTS, OR SUPPORTING DOCUMENTATION FOR QUOTATION OR OTHER PURPOSES, YOU AGREE NOT TO DISCLOSE TO OTHERS THE IDEAS, INFORMATION, OR DESIGNS SHOWN HEREIN, AND THAT YOU WILL MAKE NO USE OF SAME WITHOUT PERMISSION		MATERIAL: SEE NOTES		
			DRAWN BY: C. GRIBBLE 1/11/11		TITLE: AMO BRACKET WITH SC QUAD ADAPTERS
			CHECKED BY:		SIZE: C DRAWING NO.: HWS12924C REV.: 1
		APPROVED BY:		SCALE: 1/1 SHEET 1 OF 1	