

1

2

3

4

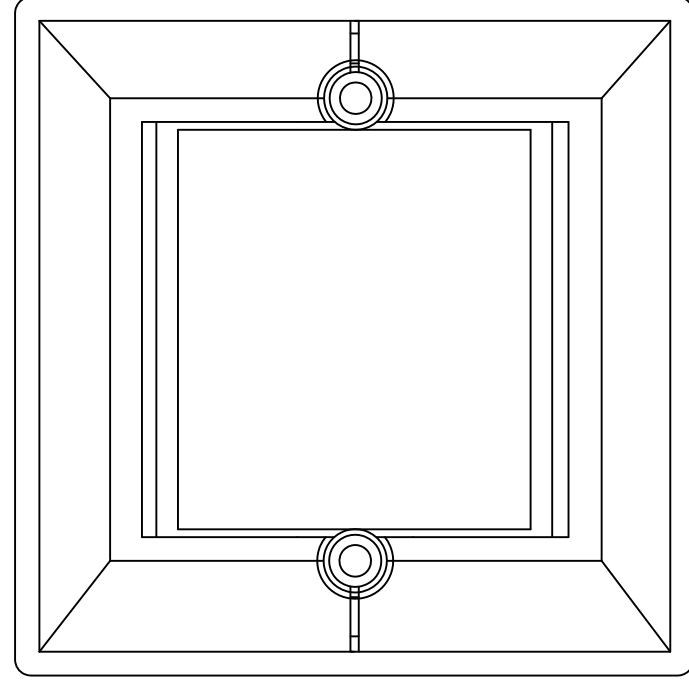
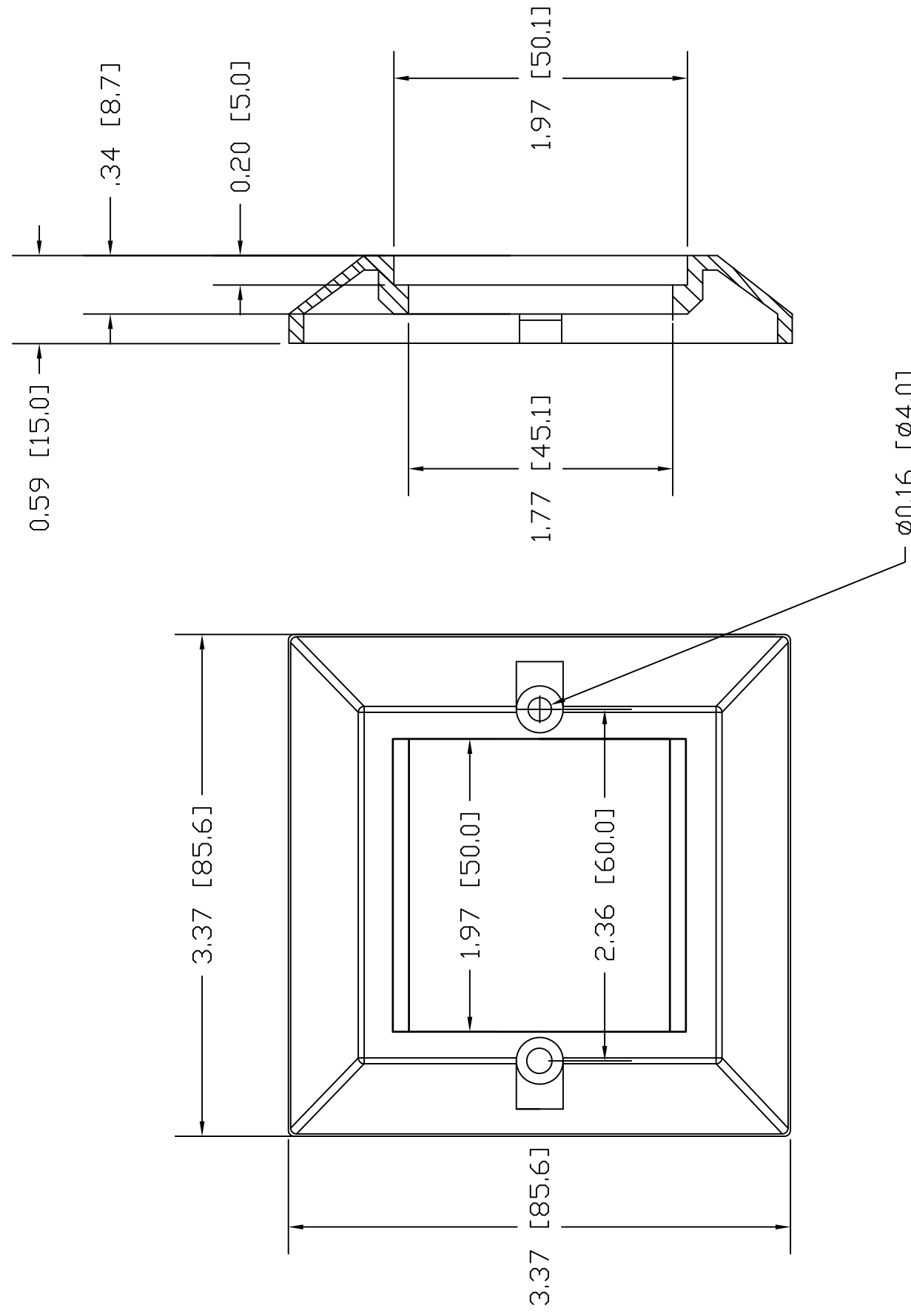
5

6

CATALOG NUMBER	DESCRIPTION
EBM1	1-GANG BEVELLED FRAME 50X50mm

NOTES:

- COLOR: WHITE
- EACH FRAME COMES WITH TWO (2) 3.5X25mm PAN HEAD PHILIPS SCREWS.
- SOLD AS A BOX OF 15.
- SPECIFICATIONS SUBJECT TO CHANGE WITHOUT NOTICE.



D

C

B

A

Created on AUTOCAD

DIMENSIONING AND TOLERANCE PER
ANSI Y14.5M-1982
UNLESS OTHERWISE SPECIFIED,
DIMENSIONS ARE IN INCHES (MM).
TOLERANCES
.XX = ±.01 (.25)
.XXX = ±.005 (.127)
.XXXX = ±.0025 (.0635)
ANGLE TOL ±1°

IN ACCEPTING OUR DRAWINGS,
BLUEPRINTS, OR SUPPORTING
DOCUMENTATION FOR QUOTATION
OR OTHER PURPOSES, YOU AGREE
NOT TO DISCLOSE TO OTHERS
THE IDEAS, INFORMATION, OR
DESIGNS SHOWN HEREIN, AND
THAT YOU WILL MAKE NO USE
OF SAME WITHOUT PERMISSION

PROJECT REFERENCE:
027-12

MATERIAL:
ABS

DRAWN BY:
M. ABBY 08/17/12

CHECKED BY:

APPROVED BY:



Hubbell Premise Wiring
HUBBELL INCORPORATED (Delaware)
23 CLARA DRIVE, SUITE 103 MYSTIC, CT 06355

TITLE:

FRAME, UK, 1-GANG, BEVELLED, 50x50mm

SIZE
C

DRAWING NO.
HWS14079C

SCALE: N/A SHEET 1 OF 1

REV.

2

REV.	ECN	DATE	DESCRIPTION	CHG BY	APPD BY
2	19582	01/23/15	REVISED PLATE QTY PER BOX FROM 10 TO 15.	MMA	