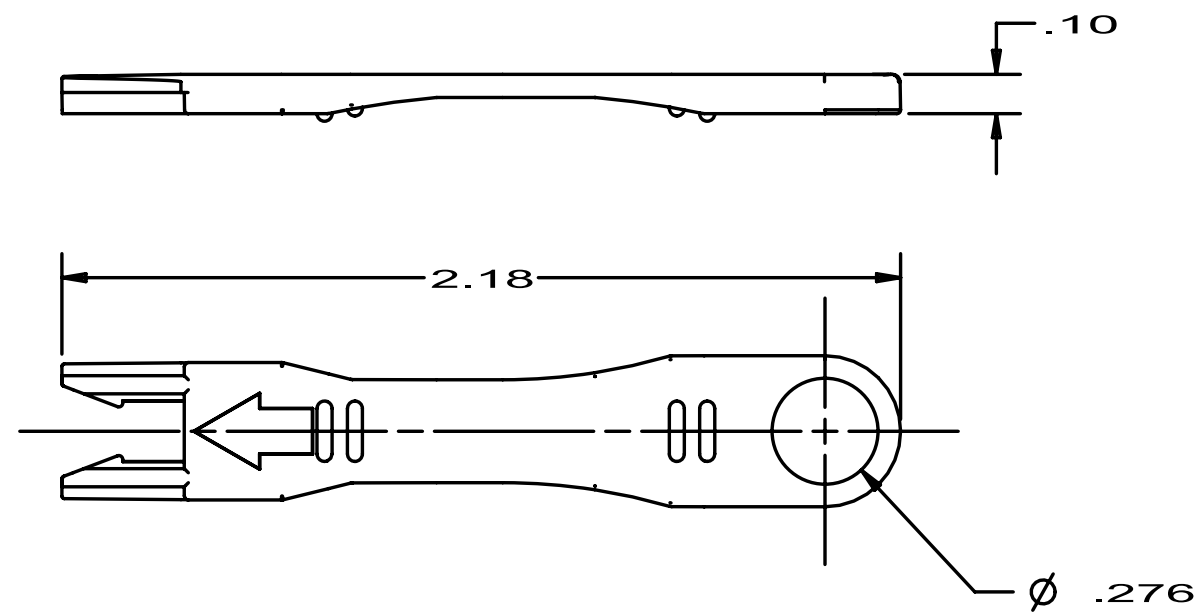
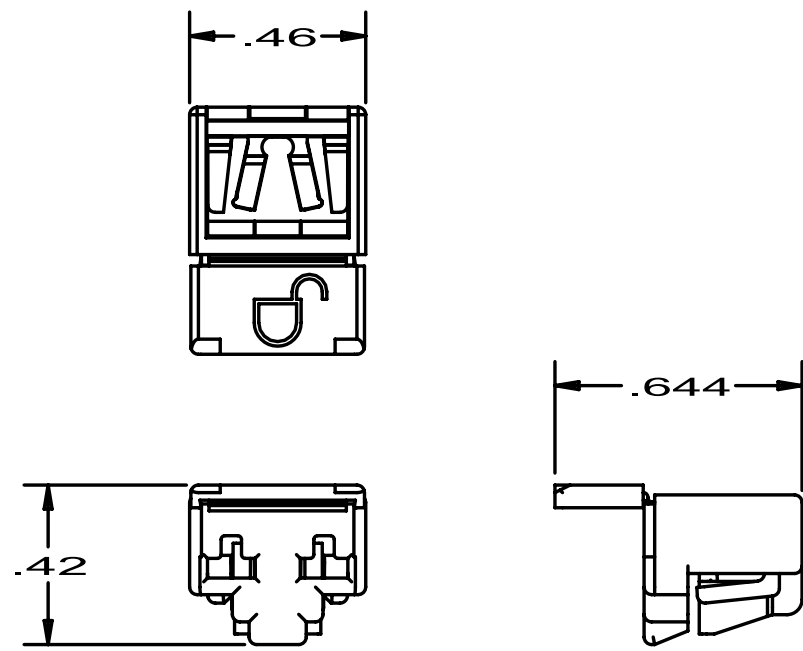
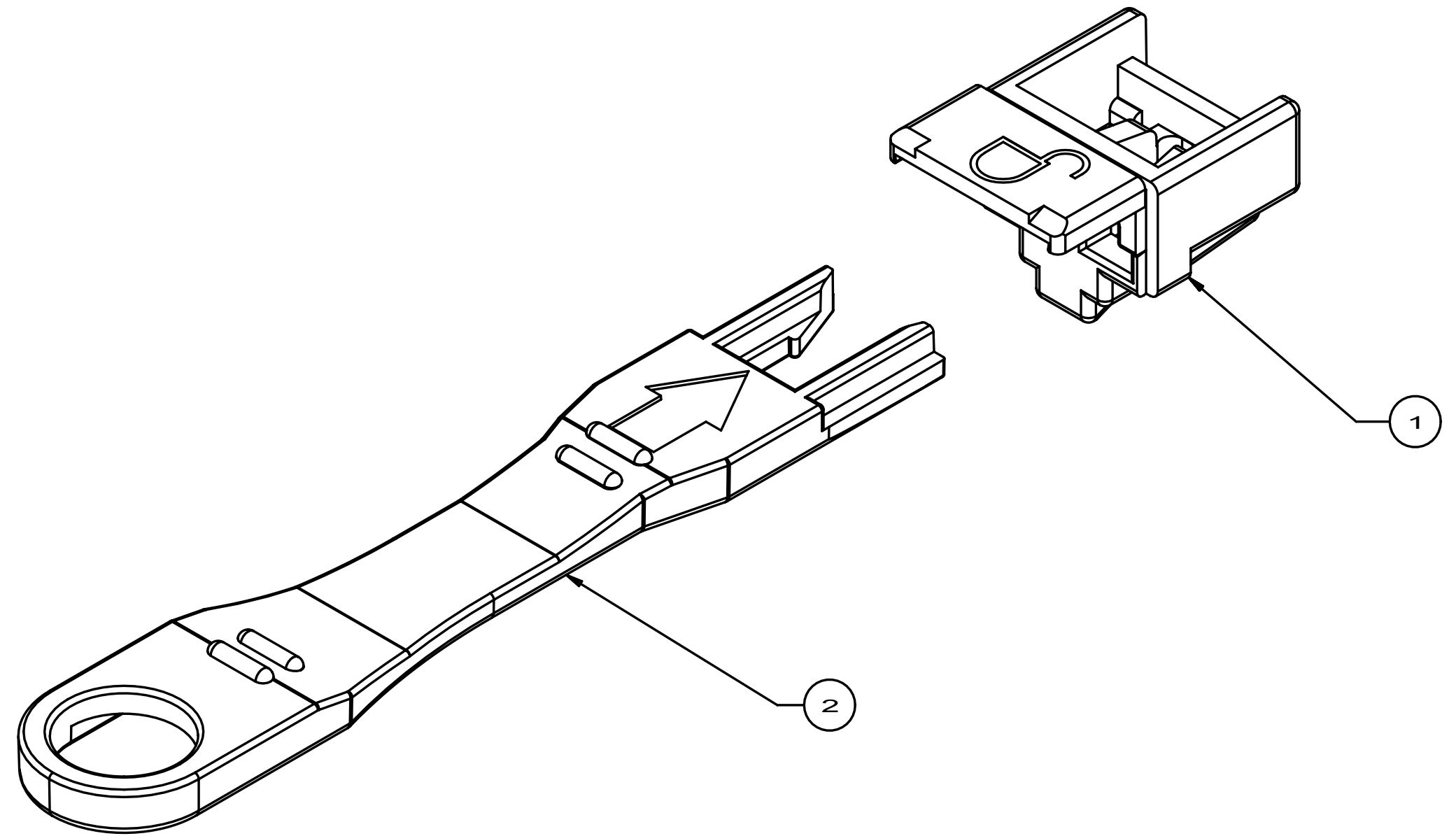


ITEM #	PART NAME	COLOR	QTY
1	RJ45 PORT BLOCKER	NATURAL	50
2	SECURITY REMOVAL TOOL	CLEAR	5

CATALOG NUMBER	DESCRIPTION	PORT BLOCKER COLOR
RJ45PB50	SECUREIT, RJ45 PORT BLOCKER,50 PK	NATURAL




NOTES:

1. MATERIAL : POLYPROPYLENE
2. SPECIFICATIONS SUBJECT TO CHANGE WITHOUT NOTICE.

Created on V-13 UNIGRAPHICS

~~DIMENSIONING AND TOLERANCING PER ANSI Y14.5M-1982. UNLESS OTHERWISE SPECIFIED, DIMENSIONS ARE IN INCHES [MM]. TOLERANCES  
 .XX = ±.01 [ ]  
 .XXX = ±.005 [ ]  
 .XXXX = ±.0025 [ ]  
 ANGLE TOL ±1°~~

IN ACCEPTING OUR DRAWINGS, BLUEPRINTS, OR SUPPORTING DOCUMENTATION FOR QUOTATION OR OTHER PURPOSES, YOU AGREE NOT TO DISCLOSE TO OTHERS THE IDEAS, INFORMATION, OR DESIGNS SHOWN HEREIN, AND THAT YOU WILL MAKE NO USE OF SAME WITHOUT PERMISSION.

COMPONENTS CONTAINED IN THIS DOCUMENT MUST ADHERE TO ENVIRONMENTAL SPEC. HWS12367			
PROJECT REFERENCE: <b>2012-036</b>		 <b>Hubbell Premise Wiring</b> HUBBELL INCORPORATED (Delaware) 23 Clara Drive Suite 103, Mystic, Connecticut 06355	
MATERIAL:		TITLE: <b>RJ45 LOCKING PORT BLOCKER</b>	
DRAWN BY: <b>D. PECK 09/19/13</b>		SIZE <b>C</b>	DRAWING NO. <b>HWS14298C</b>
CHECKED BY:		REV. <b>B</b>	
APPROVED BY:		SCALE: NTS OR NOTED	
		SHEET <b>1</b> of <b>1</b>	

REV.	ECN	DATE	DESCRIPTION	CHG BY	APPD BY
B	19396	2/13/15	REVISED COLOR OF BLOCKER AND KEY	DMP	