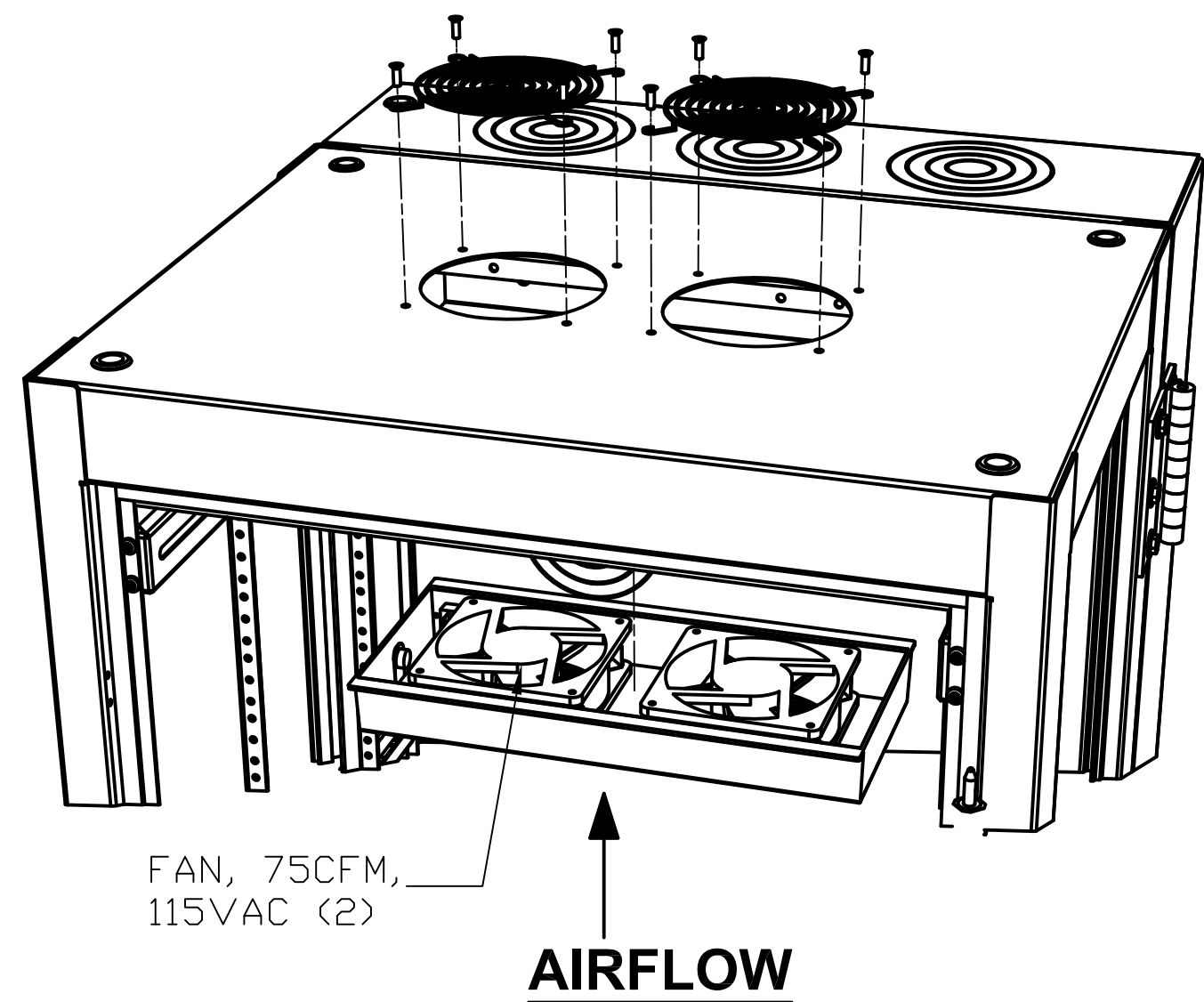
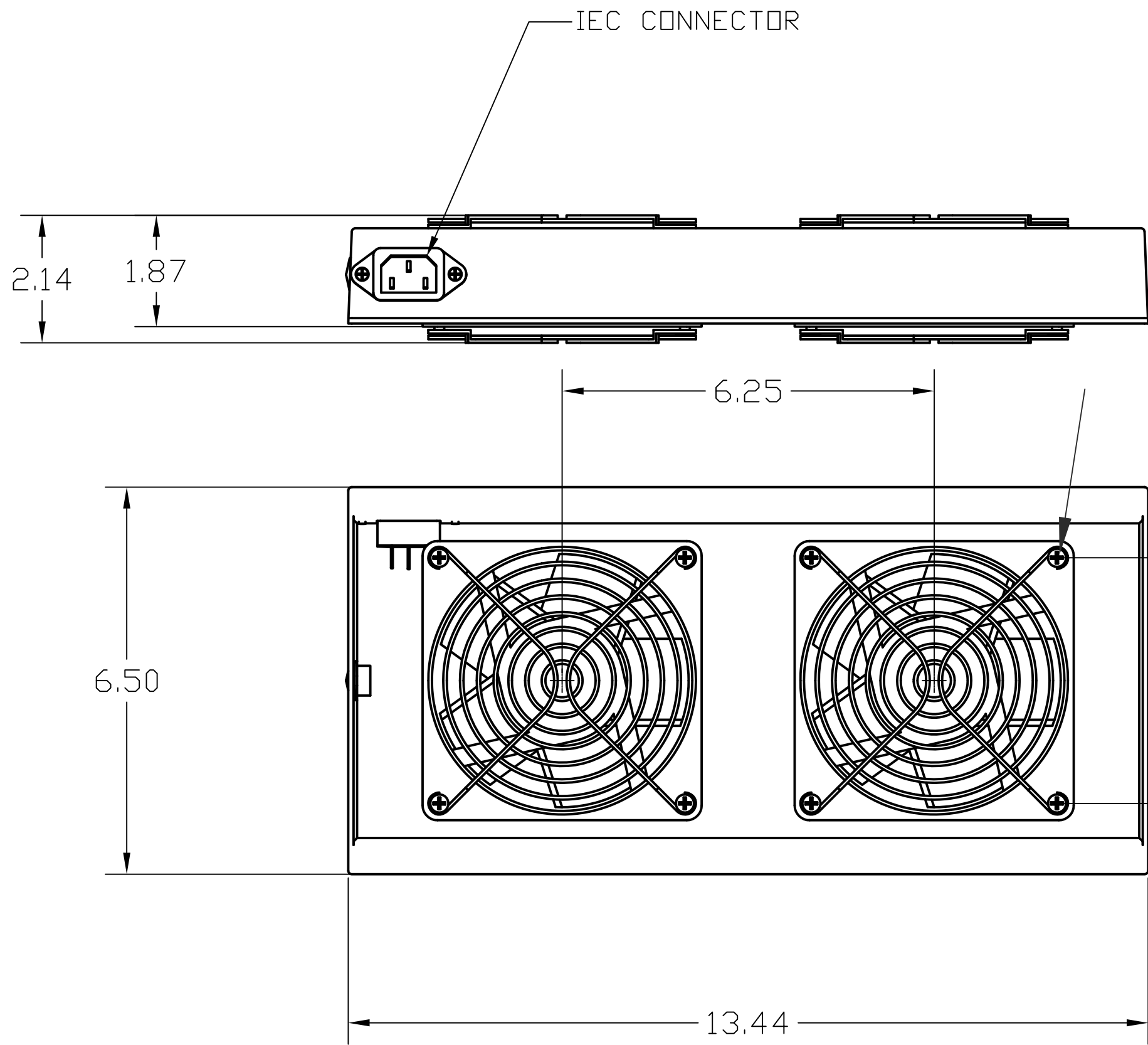



CATALOG NO.
HLQFK



- NOTES:
1. SURFACE FINISH: BLACK POWDER COAT
 2. KIT CONTAINS:
(1) FAN TRAY ASSEMBLY
(2) FAN GUARD
(8) #8-32 X 1/2 FLAT HEAD MACHINE SCREW, BLACK
 3. SPECIFICATIONS SUBJECT TO CHANGE WITHOUT NOTICE.

1	22423	03/24/17	INITIAL RELEASE	MMA	DO
REV.	ECN	DATE	DESCRIPTION	CHG BY	APPD BY

Created on AUTOCAD	DIMENSIONING AND TOLERANCE PER ANSI Y14.5M-1982 UNLESS OTHERWISE SPECIFIED, DIMENSIONS ARE IN INCHES (MM). TOLERANCES .XX = ±.01 (.25) .XXX = ±.005 (.127) .XXXX = ±.0025 (.0635) ANGLE TOL ±1°		PROJECT REFERENCE: NPD 00041
	IN ACCEPTING OUR DRAWINGS, BLUEPRINTS, OR SUPPORTING DOCUMENTATION FOR QUOTATION OR OTHER PURPOSES, YOU AGREE NOT TO DISCLOSE TO OTHERS THE IDEAS, INFORMATION, OR DESIGNS SHOWN HEREIN, AND THAT YOU WILL MAKE NO USE OF SAME WITHOUT PERMISSION		MATERIAL:
			DRAWN BY: M. ABBY 02/15/17
			CHECKED BY:
		APPROVED BY:	

 Hubbell Premise Wiring HUBBELL INCORPORATED (Delaware) 23 CLARA DRIVE, SUITE 103 MYSTIC, CT 06355		TITLE: FAN TRAY, HLQ WALL MOUNT CABINETS	
		SIZE C	DRAWING NO. HWS14725C
SCALE: N/A		SHEET 1 OF 1	