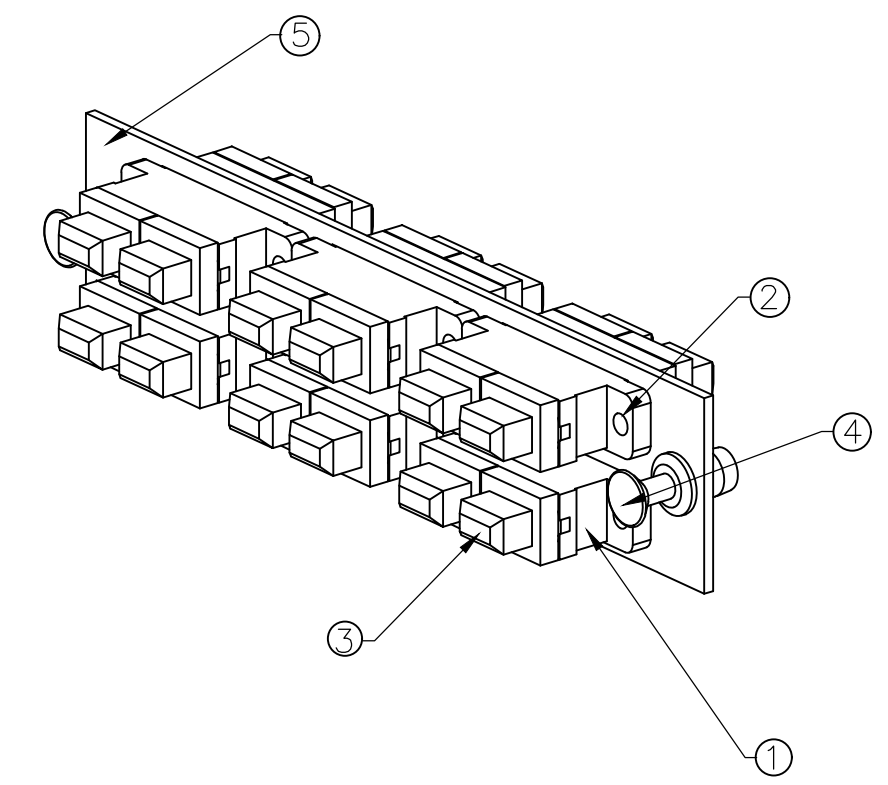
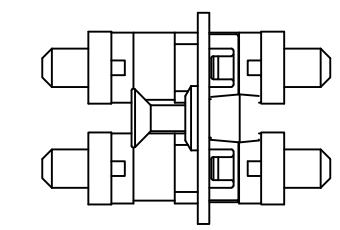
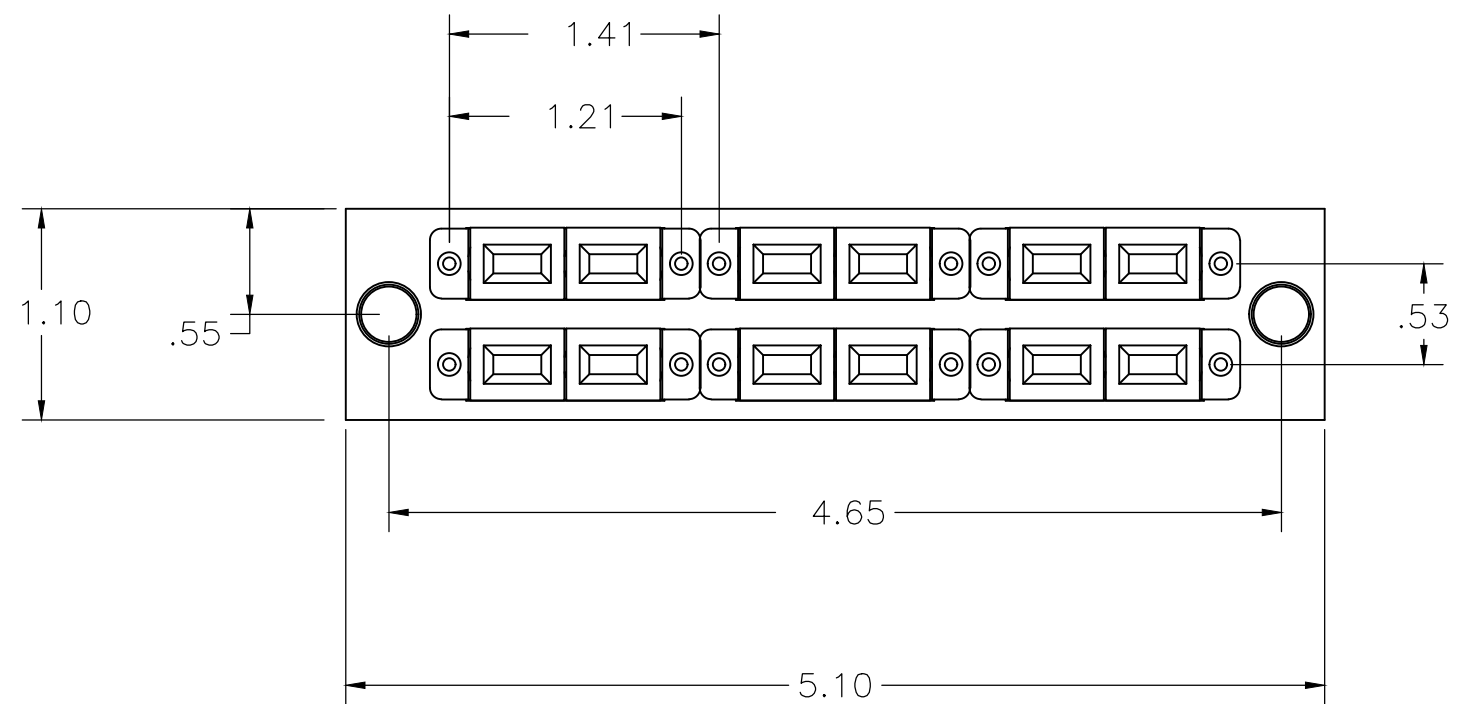
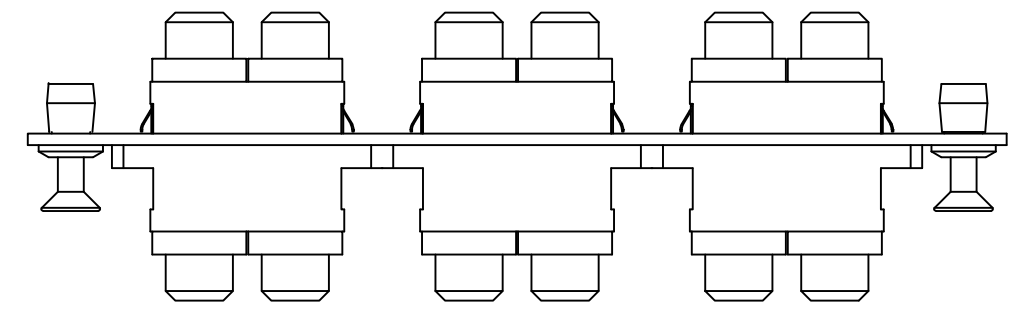


ITEM NO.	DESCRIPTION	QTY.
1	MTP DUPLEX ADAPTER	6
2	SCREW, ADAPTER	12
3	DUST CAP	24
4	NYLATCH PUSH FASTENER	2
5	FSP PANEL 4 PORT SC DUPLEX	1


CATALOG NUMBER	DESCRIPTION
FSPNMTPDAQ6	FSP PANEL WITH 6 MTP DUPLEX AQUA ADAPTERS
FSPNMTPDBE6	FSP PANEL WITH 6 MTP DUPLEX BEIGE ADAPTERS
FSPNMTPDB6	FSP PANEL WITH 6 MTP DUPLEX BLUE ADAPTERS
FSPNMTPDBK6	FSP PANEL WITH 6 MTP DUPLEX BLACK ADAPTERS
FSPNMTPDGN6	FSP PANEL WITH 6 MTP DUPLEX GREEN ADAPTERS
FSPNMTPDVI6	FSP PANEL WITH 6 MTP DUPLEX VIOLET ADAPTERS



NOTES:

- SUPPLIED WITH PUSH/PULL FASTENERS FOR EASY INSTALLATION/REMOVAL.
- PANELS FIT INTO HUBBELL WALL MOUNT AND RACK MOUNT CABINETS.
- SURFACE FINISH: BLACK POWDER COAT.
- ADAPTERS SUPPLIED WITH DUST CAPS INSTALLED
- SPECIFICATIONS SUBJECT TO CHANGE WITHOUT NOTICE.

REV.	ECN	DATE	DESCRIPTION	CHG BY	APPD BY
1	210121004122	1/21/21	INITIAL RELEASE	DPO	MMA

Created on AUTOCAD	DIMENSIONING AND TOLERANCE PER ANSI Y14.5M-1982 UNLESS OTHERWISE SPECIFIED, DIMENSIONS ARE IN INCHES (MM). TOLERANCES .XX = ±.01 (.25) .XXX = ±.005 (.127) .XXXX = ±.0025 (.0635) ANGLE TOL ±1°	PROJECT REFERENCE: <b>NPD-03368</b>	 <b>Hubbell Premise Wiring</b> HUBBELL INCORPORATED (Delaware) 14 Lord's Hill Road, Stonington, Connecticut 06378
	IN ACCEPTING OUR DRAWINGS, BLUEPRINTS, OR SUPPORTING DOCUMENTATION FOR QUOTATION OR OTHER PURPOSES, YOU AGREE NOT TO DISCLOSE TO OTHERS THE IDEAS, INFORMATION, OR DESIGNS SHOWN HEREIN, AND THAT YOU WILL MAKE NO USE OF SAME WITHOUT PERMISSION	MATERIAL: PANEL: .0598" CRS WITH BLACK POWDER COAT FINISH	
		CHECKED BY:	TITLE: <b>ASSY,FSP PANEL WITH 6 MTP DUPLEX ADAPTERS</b>
		APPROVED BY:	SIZE: <b>C</b>
			DRAWING NO.: <b>HWS14966C</b>
			SCALE: <b>N/A</b>
			SHEET <b>1</b> OF <b>1</b>
			REV. <b>1</b>