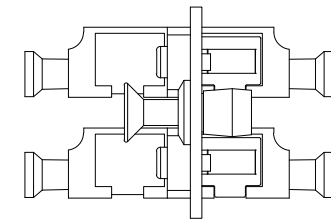
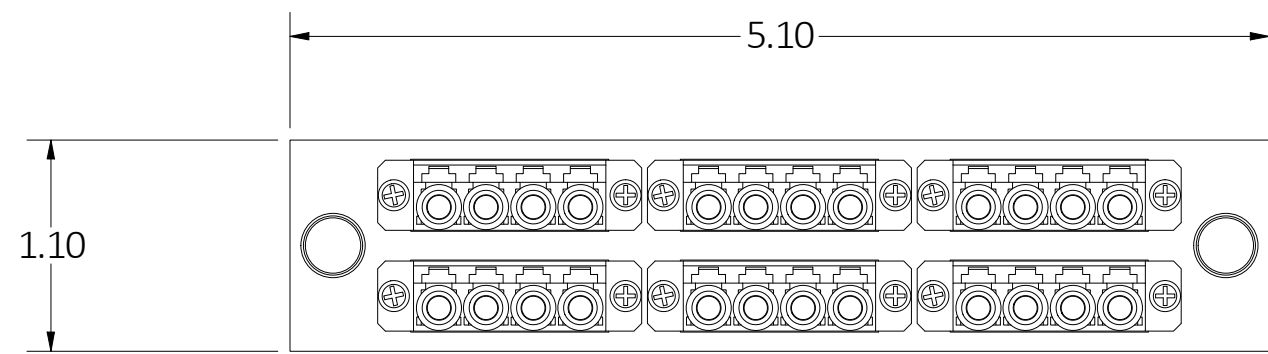
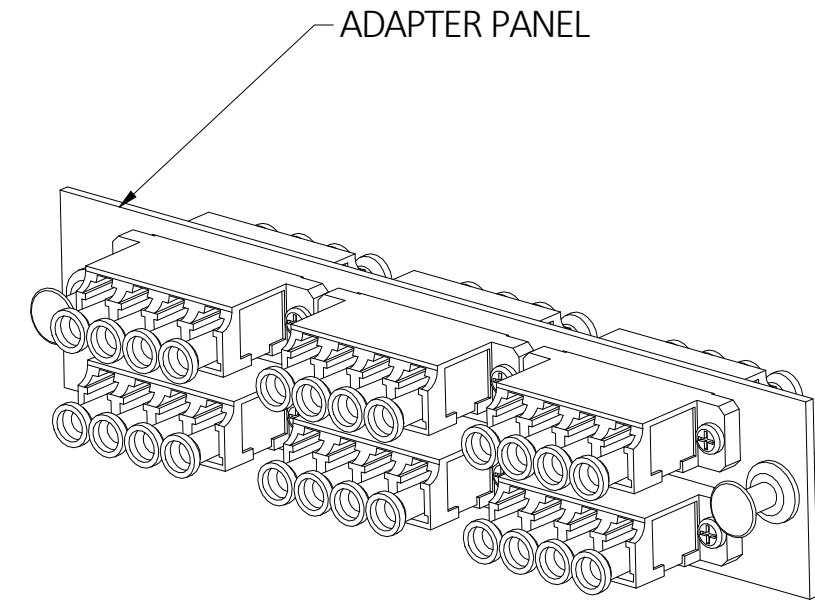
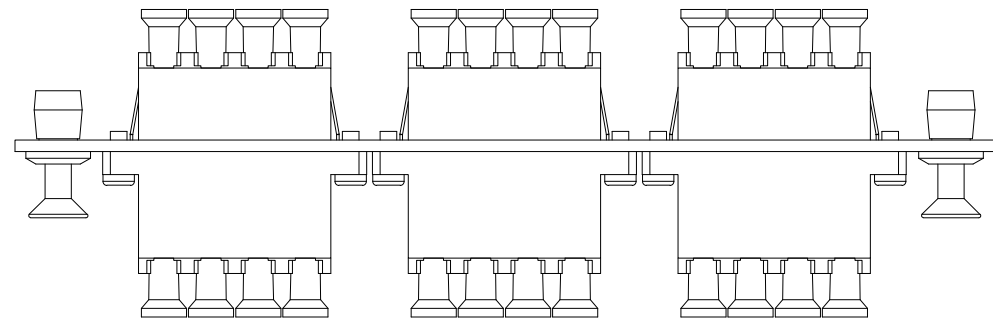


CATALOG NUMBER	DESCRIPTION	ADAPTER COLOR
FSPNLCQS6AQ	FIBER, ADAPT PNL,24P,6LC QUAD,ZIRC,AQ	AQUA
FSPNLCQS6B	FIBER, ADAPT PNL,24P,6LC QUAD,ZIRC,BL	BLUE
FSPNLCQS6BE	FIBER, ADAPT PNL,24P,6LC QUAD,ZIRC,BE	BEIGE
FSPNLCQS6BK	FIBER, ADAPT PNL,24P,6LC QUAD,ZIRC,BK	BLACK
FSPNLCQS6GN	FIBER, ADAPT PNL,24P,6LC QUAD,ZIRC,GN	GREEN
FSPNLCQS6OR	FIBER, ADAPT PNL,24P,6LC QUAD,ZIRC,OR	ORANGE
FSPNLCQS6R	FIBER, ADAPT PNL,24P,6LC QUAD,ZIRC,RD	RED
FSPNLCQS6VI	FIBER,ADAPT PNL,24P,6LC QUAD,ZIRC,EVI	ERIKA VIOLET
FSPNLCQS6Y	FIBER, ADAPT PNL,24P,6LC QUAD,ZIRC,YL	YELLOW

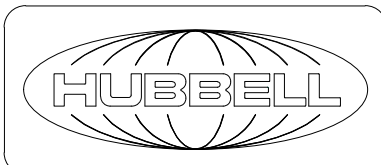


NOTES:

- PANEL MATERIAL: COLD ROLLED STEEL, BLACK POWDER COAT
- SPECIFICATIONS SUBJECT TO CHANGE WITHOUT NOTICE.

REV.	ECN	DATE	DESCRIPTION	CHG BY	APPD BY
1	210121004122	1/21/21	INITIAL RELEASE	DPO	MMA

Created on INVENTOR	DIMENSIONING AND TOLERANCE PER ANSI Y14.5M-1982 UNLESS OTHERWISE SPECIFIED, DIMENSIONS ARE IN INCHES (MM). TOLERANCES.XX = ±.01 (.25) .XXX = ±.005 (.127) .XXXX = ±.0025 (.0635) ANGLE TOL ±1°		PROJECT REFERENCE: NPD-03368
			MATERIAL: SEE NOTES
			DRAWN BY: D.O'CONNOR 1/21/21
			CHECKED BY:
		APPROVED BY:	

		<b>Hubbell Premise Wiring</b> HUBBELL INCORPORATED (Delaware) 23 CLARA DRIVE, SUITE 103 MYSTIC, CT 06355	
TITLE: SIX PACK PANEL WITH 6 LC DUPLEX ADAPTERS			
SIZE <b>C</b>	DRAWING NO. <b>HWS14971C</b>		REV. <b>1</b>
SCALE: N/A		SHEET 1 OF 1	