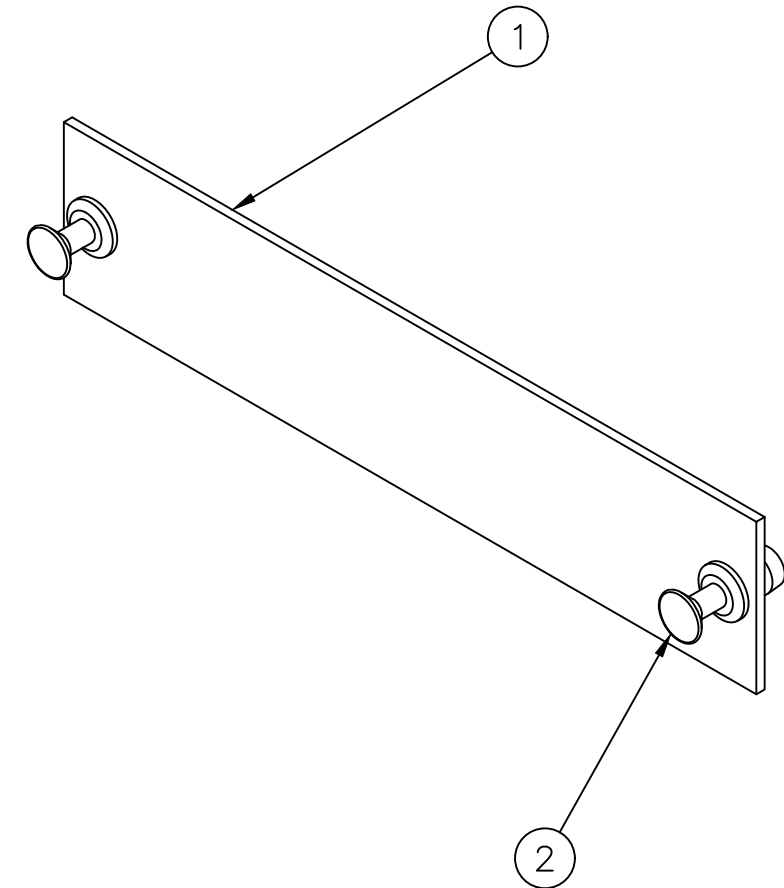
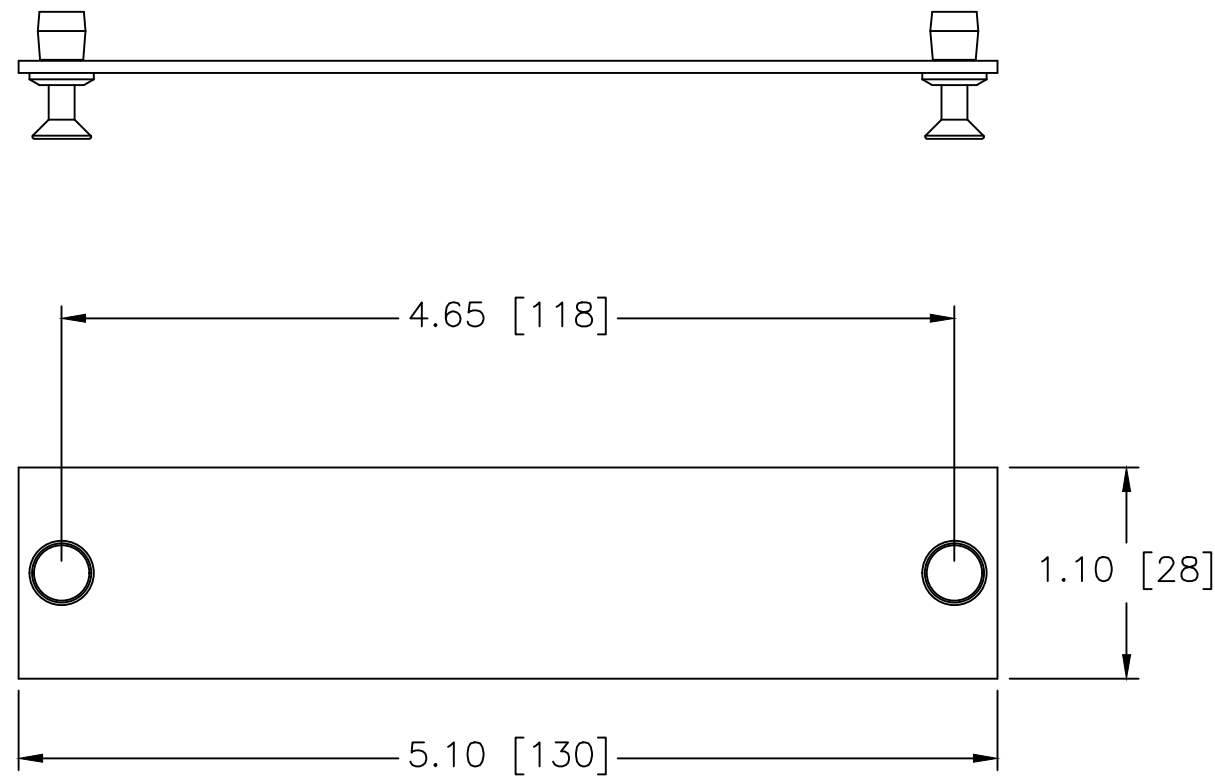


BILL OF MATERIALS			CATALOG NUMBER	DESCRIPTION
ITEM NO.	DESCRIPTION	QTY.	FSPNB	BLANK SIX PACK ADAPTER PANEL
1	SIX PACK PANEL	1		
2	NYLATCH FASTENER	2		



NOTES:

1. SUPPLIED WITH PUSH/PULL FASTENERS FOR EASY INSTALLATION/REMOVAL.
2. PANELS FIT INTO HUBBELL WALL MOUNT AND RACK MOUNT CABINETS.
3. BLACK ELECTROSTATICALLY APPLIED POWDER COAT.
4. SPECIFICATIONS SUBJECT TO CHANGE WITHOUT NOTICE.

1	210121004122	1/21/21	INITIAL RELEASE	DPO	MMA
REV.	ECN	DATE	DESCRIPTION	CHG BY	APPD BY

Created on AUTOCAD

DIMENSIONING AND TOLERANCE PER ANSI Y14.5M-1982 UNLESS OTHERWISE SPECIFIED, DIMENSIONS ARE IN INCHES (MM).
TOLERANCES
.XX = ±.01 (.25)
.XXX = ±.005 (.127)
.XXXX = ±.0025 (.0635)
ANGLE TOL ±1°

IN ACCEPTING OUR DRAWINGS, BLUEPRINTS, OR SUPPORTING DOCUMENTATION FOR QUOTATION OR OTHER PURPOSES, YOU AGREE NOT TO DISCLOSE TO OTHERS THE IDEAS, INFORMATION, OR DESIGNS SHOWN HEREIN, AND THAT YOU WILL MAKE NO USE OF SAME WITHOUT PERMISSION

PROJECT REFERENCE:
NPD-03368

MATERIAL:
.0598" CRS WITH BLACK POWDER COAT FINISH

DRAWN BY:
D.O'CONNOR 1/21/21

CHECKED BY:

APPROVED BY:

		Hubbell Premise Wiring HUBBELL INCORPORATED (Delaware) 14 Lord's Hill Road, Stonington, Connecticut 06378	
TITLE: BLANK SIX PACK ADAPTER PANEL			
SIZE	DRAWING NO.	REV.	
B	HWS14976C	1	
SCALE:	1/1	SHEET	1 OF 1