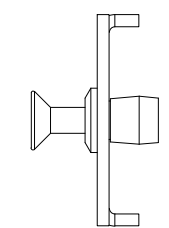
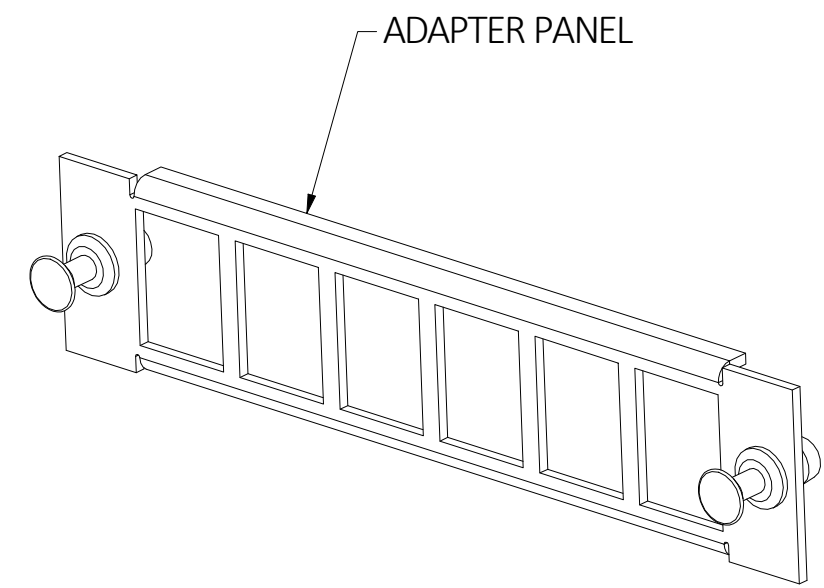
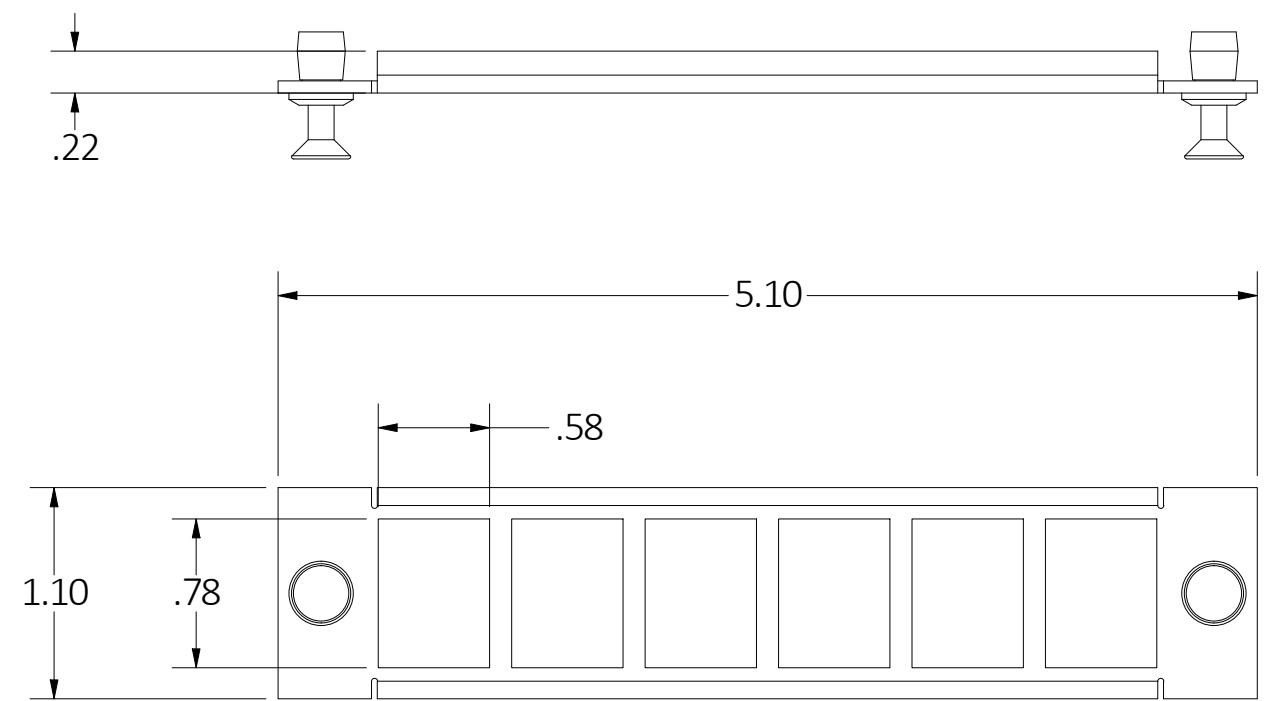


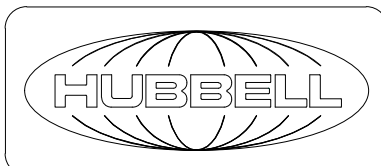
CATALOG	DESCRIPTION
FSPNHD6X	FIBER, ADAPT PNL,JACK-PK,6PORT,UNLD



- NOTES:
1. PANEL MATERIAL: COLD ROLLED STEEL, BLACK POWDER COAT
 2. SPECIFICATIONS SUBJECT TO CHANGE WITHOUT NOTICE.

1	210121004122	1/21/21	INITIAL RELEASE	DPO	MMA
REV.	ECN	DATE	DESCRIPTION	CHG BY	APPD BY

Created on INVENTOR	DIMENSIONING AND TOLERANCE PER ANSI Y14.5M-1982 UNLESS OTHERWISE SPECIFIED, DIMENSIONS ARE IN INCHES (MM). TOLERANCES.XX = ±.01 (.25) .XXX = ±.005 (.127) .XXXX = ±.0025 (.0635) ANGLE TOL ±1°		PROJECT REFERENCE: NPD-03368
	IN ACCEPTING OUR DRAWINGS, BLUEPRINTS, OR SUPPORTING DOCUMENTATION FOR QUOTATION OR OTHER PURPOSES, YOU AGREE NOT TO DISCLOSE TO OTHERS THE IDEAS, INFORMATION, OR DESIGNS SHOWN HEREIN, AND THAT YOU WILL MAKE NO USE OF SAME WITHOUT PERMISSION		MATERIAL: SEE NOTES
			DRAWN BY: D.O'CONNOR 1/21/21
			CHECKED BY:
		APPROVED BY:	

 Hubbell Premise Wiring HUBBELL INCORPORATED (Delaware) 23 CLARA DRIVE, SUITE 103 MYSTIC, CT 06355		TITLE: SIX PACK PANEL 6-PORT, JACKS	
		SIZE C	DRAWING NO. HWS14982C
SCALE: N/A		SHEET 1 OF 1	