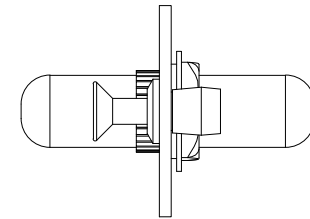
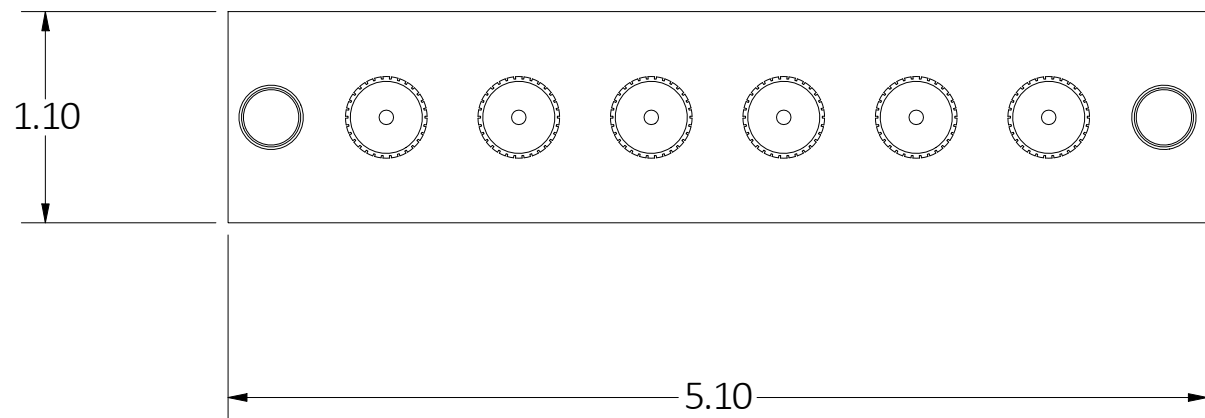
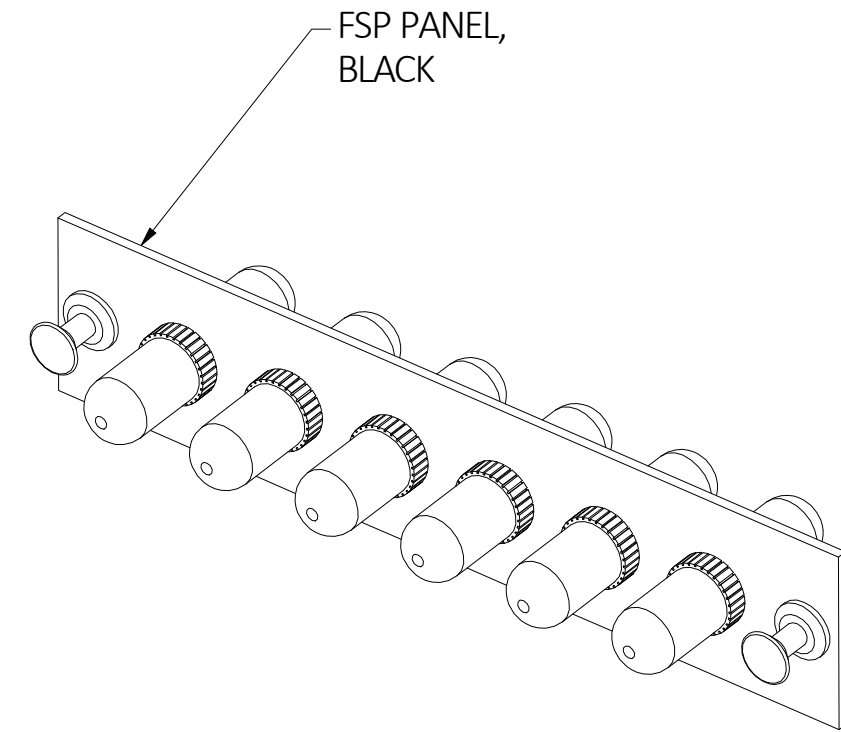
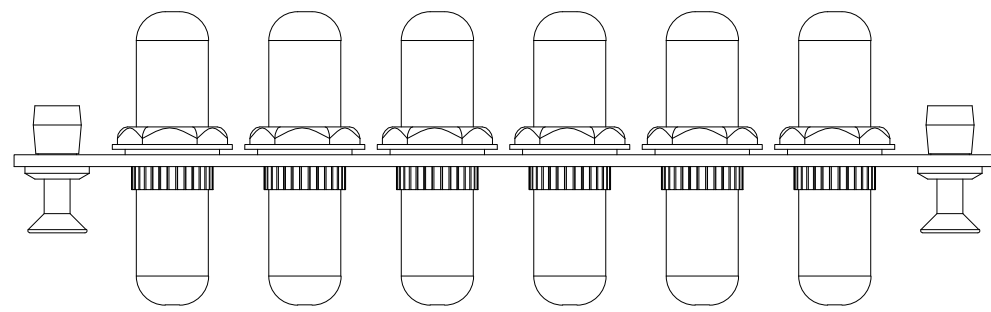


CATALOG NO.	DESCRIPTION
FSPNST6X	FIBER, ADAPT PNL,6P, SMPLX,UNLOADED
FSPNSTSS6	FIBER, ADAPT PNL,6P,6ST SMPLX,ZIRC,BK



NOTES:

1. PANEL MATERIAL: COLD ROLLED STEEL, BLACK POWDER COAT
2. SPECIFICATIONS SUBJECT TO CHANGE WITHOUT NOTICE.

REV.	ECN	DATE	DESCRIPTION	CHG BY	APPD BY
1	210121004122	1/21/21	INITIAL RELEASE	DPO	MMA

Created on INVENTOR

DIMENSIONING AND TOLERANCE PER ANSI Y14.5M-1982 UNLESS OTHERWISE SPECIFIED, DIMENSIONS ARE IN INCHES (MM). TOLERANCES.XX = ±.01 (.25).XXX = ±.005 (.127).XXXX = ±.0025 (.0635) ANGLE TOL ±1°

IN ACCEPTING OUR DRAWINGS, BLUEPRINTS, OR SUPPORTING DOCUMENTATION FOR QUOTATION OR OTHER PURPOSES, YOU AGREE NOT TO DISCLOSE TO OTHERS THE IDEAS, INFORMATION, OR DESIGNS SHOWN HEREIN, AND THAT YOU WILL MAKE NO USE OF SAME WITHOUT PERMISSION

PROJECT REFERENCE: NPD-03368
MATERIAL: SEE NOTES
DRAWN BY: D.O'CONNOR 1/21/21
CHECKED BY:
APPROVED BY:

		Hubbell Premise Wiring HUBBELL INCORPORATED (Delaware) 23 CLARA DRIVE, SUITE 103 MYSTIC, CT 06355	
TITLE: FIBER ADAPTER PANEL, ST ADAPTERS			
SIZE C	DRAWING NO. HWS14987C	REV. 1	
SCALE: N/A	SHEET 1	OF 1	