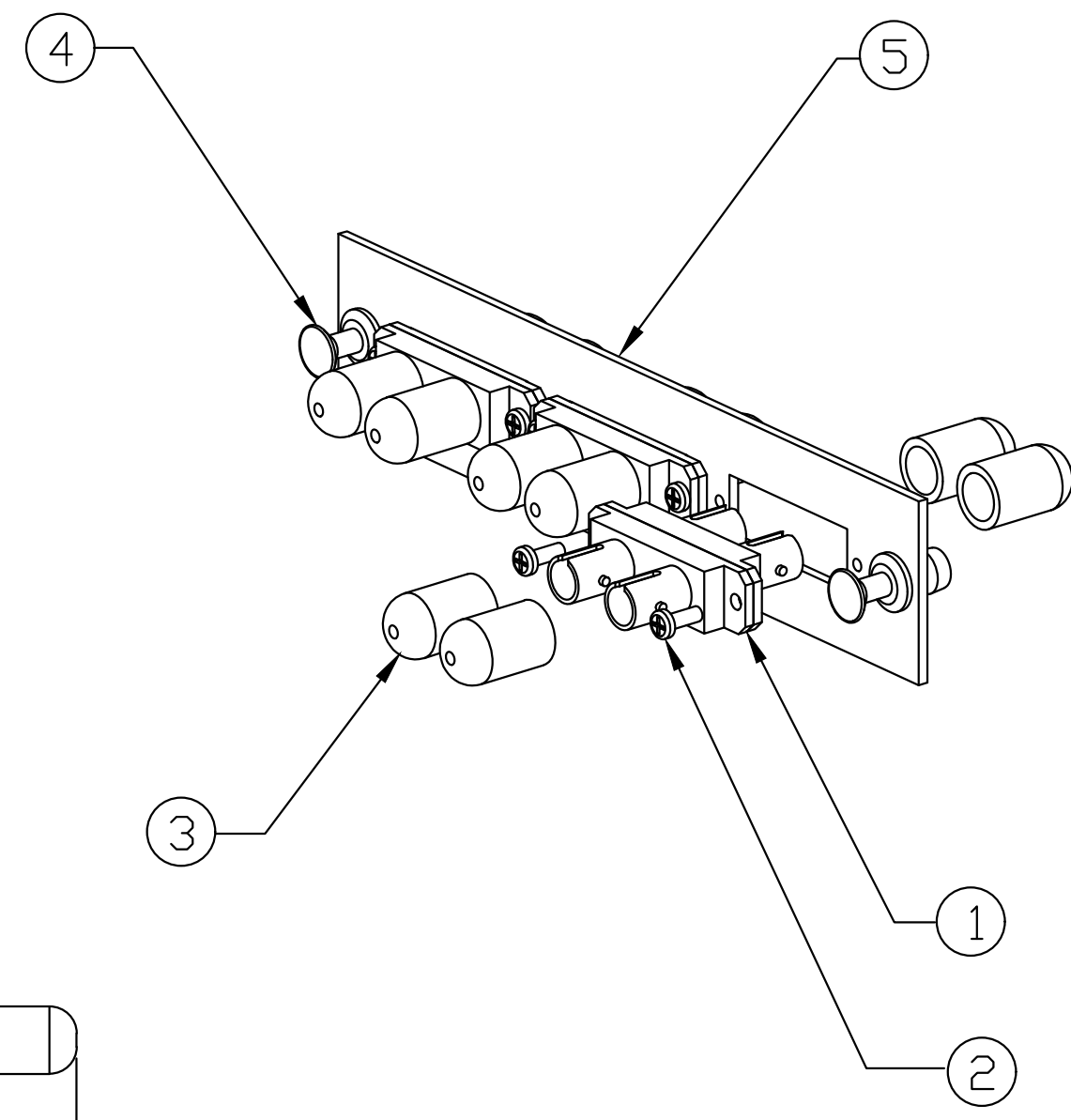
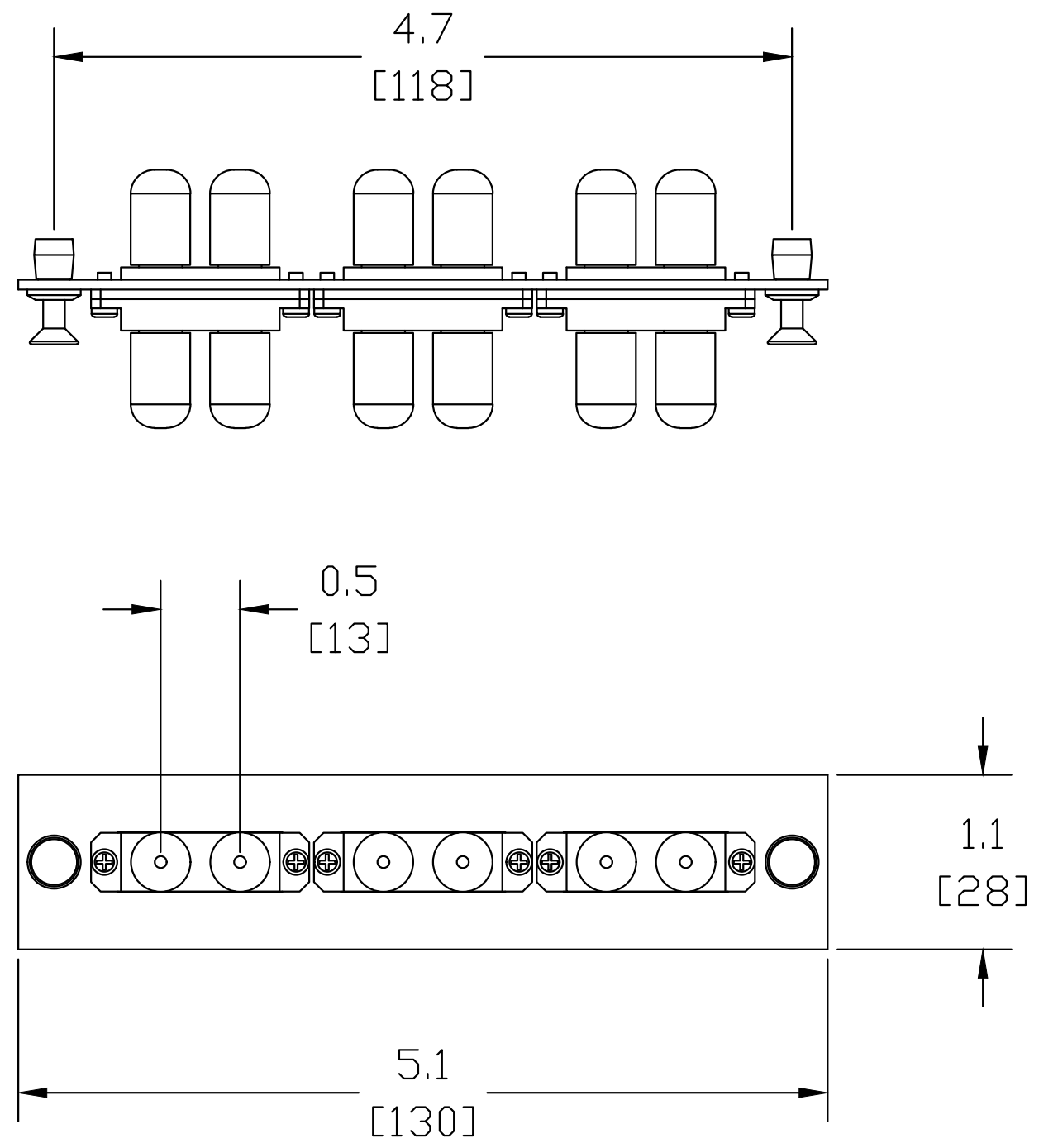


ITEM NO.	DESCRIPTION	QTY.
1	ADAPTER, ST DUPLEX	3
2	SCREW, ADAPTER MOUNTING	6
3	DUST CAP, ST	12
4	NYLATCH PUSH FASTENER	2
5	ADAPTER PANEL	1


CATALOG NUMBER	DESCRIPTION	SPLIT SLEEVE MATERIAL	ADAPTER COLOR
FSPNSTDS3	6 PORT FSP PANEL WITH ST DUPLEX ADAPTERS	ZIRCONIA	BLUE



**LOADED FSP PANEL**

**NOTES:**

- SUPPLIED WITH PUSH/PULL FASTENERS FOR EASY INSTALLATION/REMOVAL.
- PANELS FIT INTO HUBBELL WALL MOUNT AND RACK MOUNT CABINETS.
- BLACK ELECTROSTATICALLY APPLIED POWDER COAT.
- ADAPTERS SUPPLIED WITH DUST CAPS INSTALLED
- HIGH QUALITY ALIGNMENT SLEEVES ZIRCONIA COMPATIBLE WITH BOTH SINGLEMODE AND MULTIMODE FIBER.
- SPECIFICATIONS SUBJECT TO CHANGE WITHOUT NOTICE.

Created on AUTOCAD	DIMENSIONING AND TOLERANCE PER ANSI Y14.5M-1982 UNLESS OTHERWISE SPECIFIED, DIMENSIONS ARE IN INCHES (MM). TOLERANCES .XX = ±.01 (.25) .XXX = ±.005 (.127) .XXXX = ±.0025 (.0635) ANGLE TOL ±1°		PROJECT REFERENCE: <b>NPD-03368</b>		 <b>Hubbell Premise Wiring</b> HUBBELL INCORPORATED (Delaware) 14 Lord's Hill Road, Stonington, Connecticut 06378
	IN ACCEPTING OUR DRAWINGS, BLUEPRINTS, OR SUPPORTING DOCUMENTATION FOR QUOTATION OR OTHER PURPOSES, YOU AGREE NOT TO DISCLOSE TO OTHERS THE IDEAS, INFORMATION, OR DESIGNS SHOWN HEREIN, AND THAT YOU WILL MAKE NO USE OF SAME WITHOUT PERMISSION		MATERIAL: SEE NOTES		
		DRAWN BY: D.O'CONNOR 1/21/21		TITLE: <b>ADAPTER PANEL ASSEMBLY          6 PORT FSP PANEL          WITH ST DUPLEX ADAPTERS</b>	
		CHECKED BY:		SIZE DRAWING NO. <b>C HWS14989C</b>	
		APPROVED BY:		REV. <b>1</b>	
		SCALE: 1/1		SHEET 1 OF 1	

REV.	ECN	DATE	DESCRIPTION	CHG BY	APPD BY
1	210121004122	1/21/21	INITIAL RELEASE	DPO	MMA