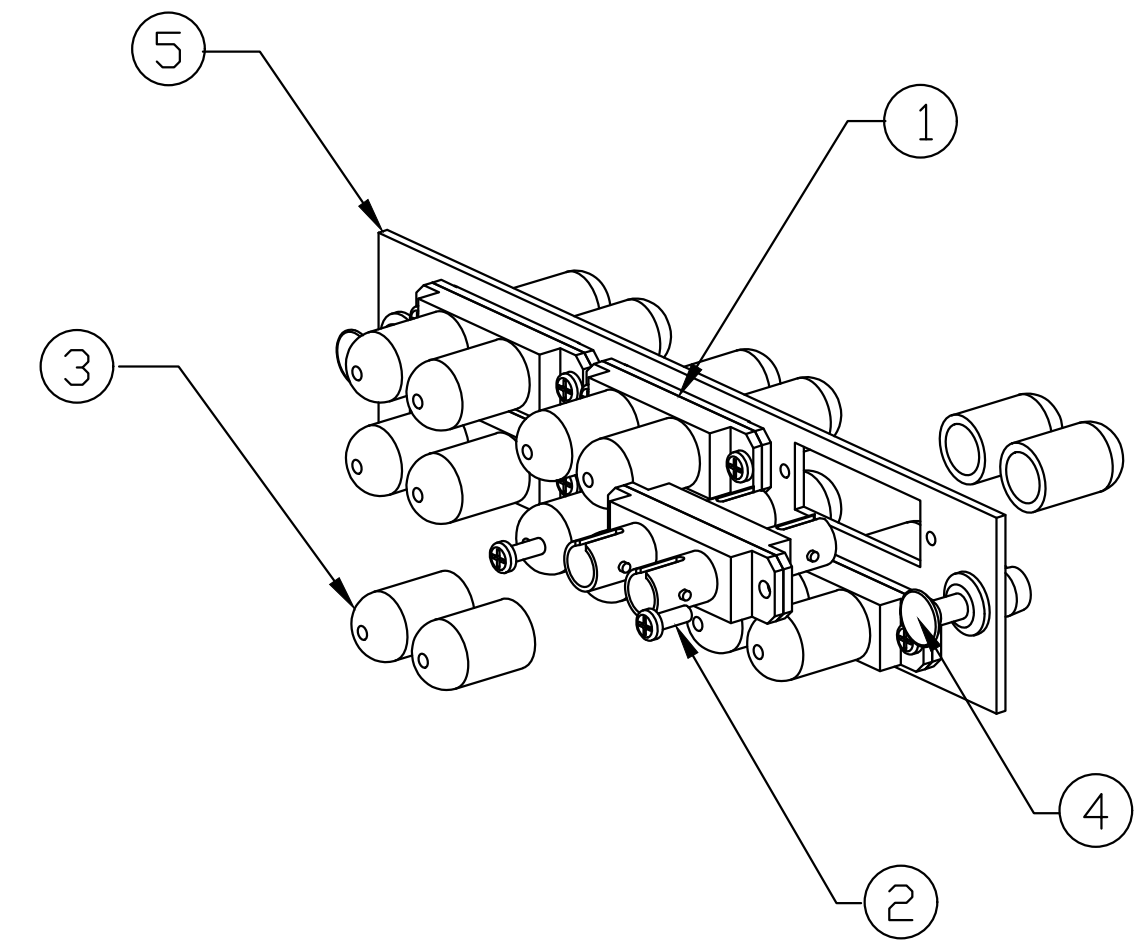
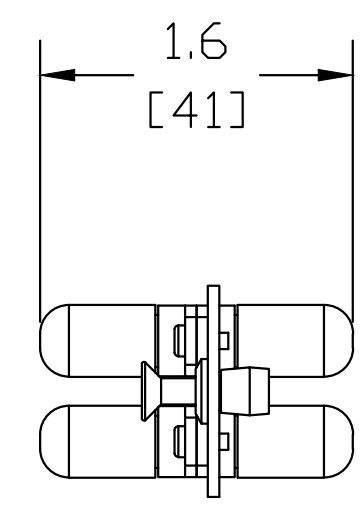
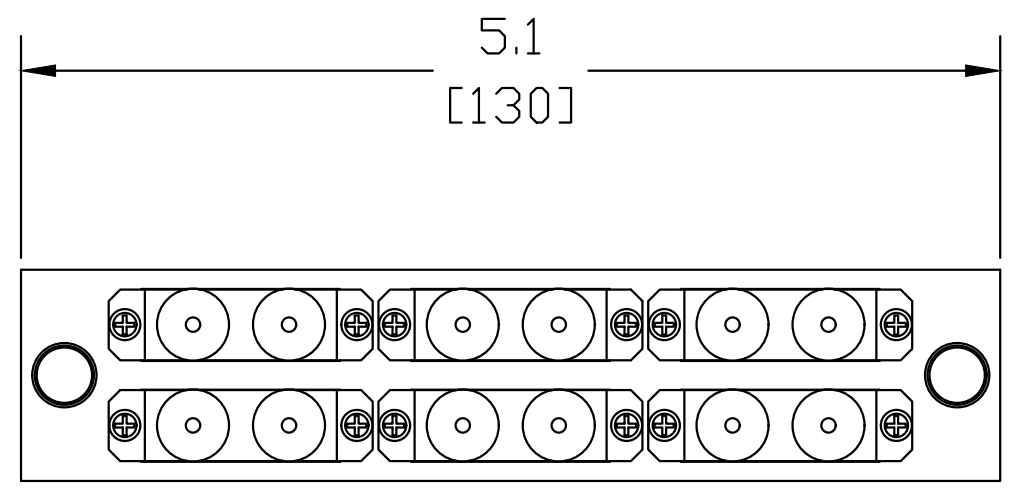
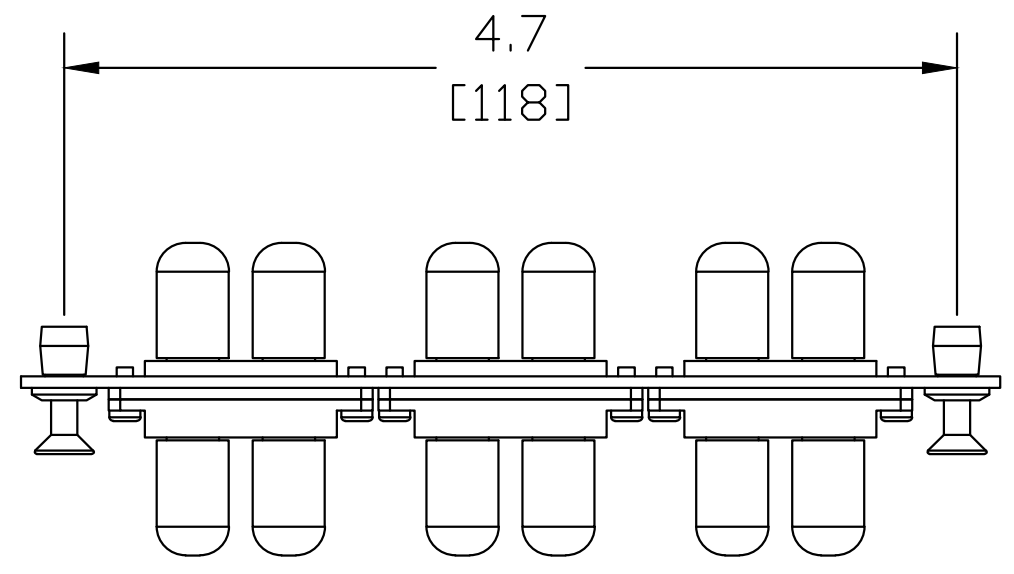



ITEM NO.	DESCRIPTION	QTY.
1	ADAPTER, ST DUPLEX	6
2	SCREW, ADAPTER MOUNTING	12
3	DUST CAP, ST	24
4	NYLATCH PUSH FASTENER	2
5	ADAPTER PANEL	1

CATALOG NUMBER	DESCRIPTION	SPLIT SLEEVE MATERIAL	ADAPTER COLOR
FSPNSTDS6	12 PORT FSP PANEL WITH ST DUPLEX ADAPTERS	ZIRCONIA	BLUE



NOTES:

- SUPPLIED WITH PUSH/PULL FASTENERS FOR EASY INSTALLATION/REMOVAL.
- PANELS FIT INTO HUBBELL WALL MOUNT AND RACK MOUNT CABINETS.
- BLACK ELECTROSTATICALLY APPLIED POWDER COAT.
- ADAPTERS SUPPLIED WITH DUST CAPS INSTALLED
- HIGH QUALITY ALIGNMENT SLEEVES ZIRCONIA COMPATIBLE WITH BOTH SINGLEMODE AND MULTIMODE FIBER.
- SPECIFICATIONS SUBJECT TO CHANGE WITHOUT NOTICE.

Created on AUTOCAD	DIMENSIONING AND TOLERANCE PER ANSI Y14.5M-1982 UNLESS OTHERWISE SPECIFIED, DIMENSIONS ARE IN INCHES (MM). TOLERANCES .XX = ±.01 (.25) .XXX = ±.005 (.127) .XXXX = ±.0025 (.0635) ANGLE TOL ±1°		PROJECT REFERENCE: NPD-03368		 Hubbell Premise Wiring HUBBELL INCORPORATED (Delaware) 14 Lord's Hill Road, Stonington, Connecticut 06378	
			MATERIAL: SEE NOTES			
	IN ACCEPTING OUR DRAWINGS, BLUEPRINTS, OR SUPPORTING DOCUMENTATION FOR QUOTATION OR OTHER PURPOSES, YOU AGREE NOT TO DISCLOSE TO OTHERS THE IDEAS, INFORMATION, OR DESIGNS SHOWN HEREIN, AND THAT YOU WILL MAKE NO USE OF SAME WITHOUT PERMISSION		DRAWN BY: D.O'CONNOR 1/21/21		TITLE: ADAPTER ASSEMBLY FSP 12 PORT PANEL WITH ST DUPLEX ADAPTERS	
			CHECKED BY:		SIZE: C	DRAWING NO.: HWS14990C
		APPROVED BY:		SCALE: 1/1		SHEET 1 OF 1

REV.	ECN	DATE	DESCRIPTION	CHG BY	APPD BY
1	210121004122	1/21/21	INITIAL RELEASE	DPO	MMA