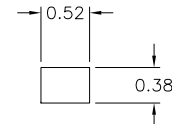
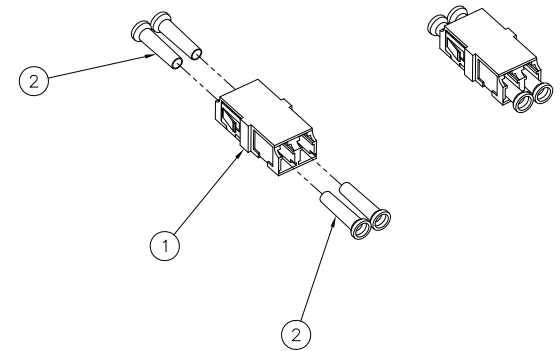
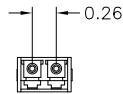
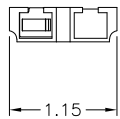
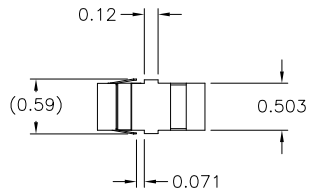
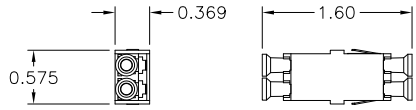


ITEM NO.	DESCRIPTION	QTY.
1	ADAPTER, LC DUPLEX SC-STYLE	1
2	DUST CAP	4

CATALOG NUMBER	HOUSING COLOR	DESCRIPTION	SPLIT SLEEVE MATERIAL
FANLCDSC6B	BLUE	LC DUPLEX ADAPTER, PK	ZIRCONIA
FANLCDSC6R	RED	LC DUPLEX ADAPTER, PK	ZIRCONIA
FANLCDSC6Y	YELLOW	LC DUPLEX ADAPTER, PK	ZIRCONIA
FANLCDSC6OR	ORANGE	LC DUPLEX ADAPTER, PK	ZIRCONIA
FANLCDSC6GN	GREEN	LC DUPLEX ADAPTER, PK	ZIRCONIA
FANLCDSC6BK	BLACK	LC DUPLEX ADAPTER, PK	ZIRCONIA
FANLCDSC6BE	BEIGE	LC DUPLEX ADAPTER, PK	ZIRCONIA
FANLCDSC6AQ	AQUA	LC DUPLEX ADAPTER, PK	ZIRCONIA



RECOMMENDED
PANEL CUTOUT

NOTES:

- ADAPTERS SUPPLIED WITH DUST CAPS INSTALLED.
- ADAPTER MATERIAL IS UL-V0 ENGINEERING THERMOPLASTIC.
- CLIP MATERIAL IS STAINLESS STEEL.
- SPLIT SLEEVE MATERIAL
ZIRCONIA SPLIT SLEEVE IS COMPATIBLE WITH BOTH SINGLEMODE AND MULTIMODE FIBER.
- SPECIFICATIONS SUBJECT TO CHANGE WITHOUT NOTICE.

Created on AUTOCAD

DIMENSIONING AND TOLERANCE PER
ANSI Y14.5M-1982
UNLESS OTHERWISE SPECIFIED,
DIMENSIONS ARE IN INCHES (MM).
TOLERANCES
.XX = ±.01 (.25)
.XXX = ±.005 (.127)
.XXXX = ±.0025 (.0635)
ANGLE TOL ±1°

IN ACCEPTING OUR DRAWINGS,
BLUEPRINTS, OR SUPPORTING
DOCUMENTATION FOR QUOTATION
OR OTHER PURPOSES, YOU AGREE
NOT TO DISCLOSE TO OTHERS
THE IDEAS, INFORMATION, OR
DESIGNS SHOWN HEREIN, AND
THAT YOU WILL MAKE NO USE
OF SAME WITHOUT PERMISSION

PROJECT REFERENCE:
NPD-03368

MATERIAL:

DRAWN BY:
D.O'CONNOR 2/1/21

CHECKED BY:

APPROVED BY:



Hubbell Premise Wiring
HUBBELL INCORPORATED (Delaware)
23 Clara Drive, Mystic, Connecticut 06355

TITLE:
FIBER OPTIC PRODUCTS
ADAPTER, LC DUPLEX, SM/MM

SIZE DRAWING NO.

C

HWS14994C

REV.

1

SCALE:

1/1

SHEET

1 OF 1

REV.	ECN	DATE	DESCRIPTION	CHG BY	APPD BY
1	210202004508	2/1/21	INITIAL RELEASE	DPO	MMA