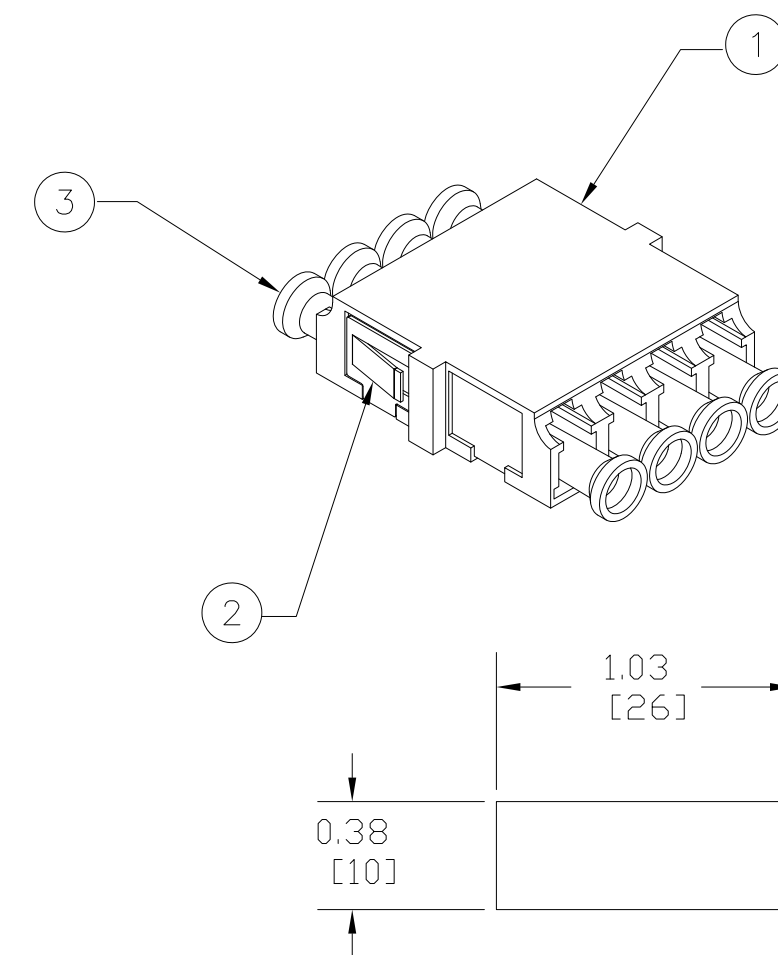
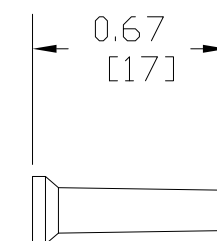
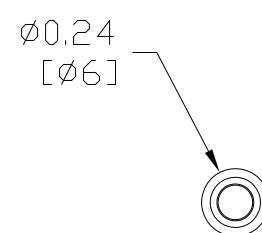
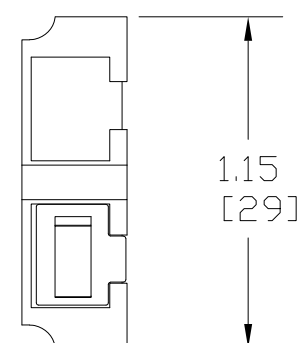
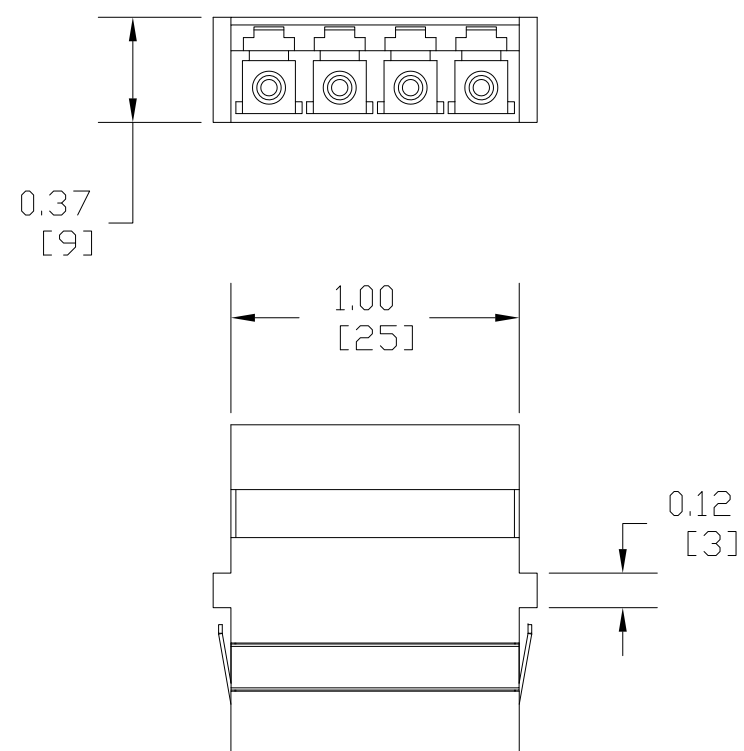
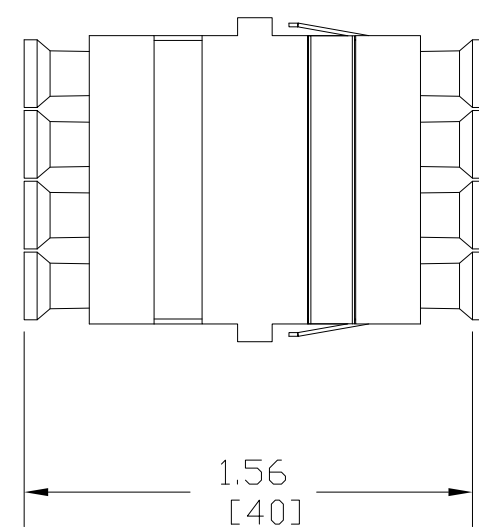
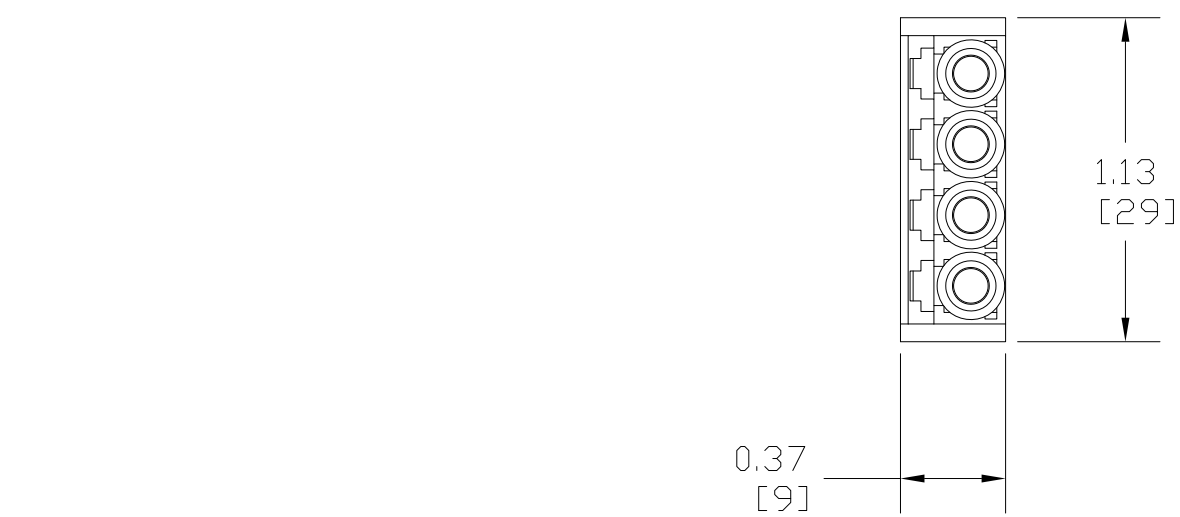


ITEM NO.	DESCRIPTION	QTY.
1	ADAPTER, LC QUAD	1
2	CLIP, PANEL MOUNT	1
3	DUST CAP, LC	8

CATALOG NUMBER	HOUSING COLOR	DESCRIPTION	SLEEVE MATERIAL
FANLCQSC6Y	YELLOW	LC QUAD CLIP MOUNT ADAPTER, PK	ZIRCONIA
FANLCQSC6OR	ORANGE	LC QUAD CLIP MOUNT ADAPTER, PK	ZIRCONIA
FANLCQSC6B	BLUE	LC QUAD CLIP MOUNT ADAPTER, PK	ZIRCONIA
FANLCQSC6R	RED	LC QUAD CLIP MOUNT ADAPTER, PK	ZIRCONIA
FANLCQSC6GN	GREEN	LC QUAD CLIP MOUNT ADAPTER, PK	ZIRCONIA
FANLCQSC6BK	BLACK	LC QUAD CLIP MOUNT ADAPTER, PK	ZIRCONIA
FANLCQSC6BE	BEIGE	LC QUAD CLIP MOUNT ADAPTER, PK	ZIRCONIA
FANLCQSC6AQ	AQUA	LC QUAD CLIP MOUNT ADAPTER, PK	ZIRCONIA



LC QUAD ADAPTER

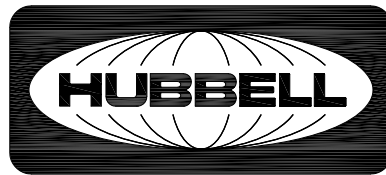
ADAPTER DUST CAP

RECOMMENDED
PANEL CUTOUT
PANEL THICKNESS .067" MAX

NOTES:

- ADAPTERS SUPPLIED WITH MOUNTING CLIP AND DUST CAPS INSTALLED.
- ADAPTER MATERIAL IS UL-V0 ENGINEERING THERMOPLASTIC.
- MOUNTING CLIP MATERIAL IS STAINLESS STEEL.
- SPLIT SLEEVE MATERIAL ZIRCONIA COMPATIBLE WITH BOTH MULTIMODE AND SINGLEMODE FIBER.
- SPECIFICATIONS SUBJECT TO CHANGE WITHOUT NOTICE.

REV.	ECN	DATE	DESCRIPTION	CHG BY	APPD BY
1	210202004508	2/1/21	INITIAL RELEASE	DPO	MMA

Created on AUTOCAD	DIMENSIONING AND TOLERANCE PER ANSI Y14.5M-1982 UNLESS OTHERWISE SPECIFIED, DIMENSIONS ARE IN INCHES (MM). TOLERANCES .XX = ±.01 (.25) .XXX = ±.005 (.127) .XXXX = ±.0025 (.0635) ANGLE TOL ±1°		PROJECT REFERENCE: NPD-03368		 Hubbell Premise Wiring HUBBELL INCORPORATED (Delaware) 23 Clara Drive, Mystic, Connecticut 06355					
	MATERIAL: SEE NOTES		DRAWN BY: D.O'CONNOR 2/1/21							
	IN ACCEPTING OUR DRAWINGS, BLUEPRINTS, OR SUPPORTING DOCUMENTATION FOR QUOTATION OR OTHER PURPOSES, YOU AGREE NOT TO DISCLOSE TO OTHERS THE IDEAS, INFORMATION, OR DESIGNS SHOWN HEREIN, AND THAT YOU WILL MAKE NO USE OF SAME WITHOUT PERMISSION		CHECKED BY:		TITLE: FIBER ADAPTER LC QUAD - CLIP MOUNT					
			APPROVED BY:		<table border="1"> <tr> <td>SIZE C</td> <td>DRAWING NO. HWS14996C</td> <td>REV. 1</td> </tr> <tr> <td colspan="2">SCALE: 1/1</td> <td>SHEET 1 OF 1</td> </tr> </table>	SIZE C	DRAWING NO. HWS14996C	REV. 1	SCALE: 1/1	
SIZE C	DRAWING NO. HWS14996C	REV. 1								
SCALE: 1/1		SHEET 1 OF 1								