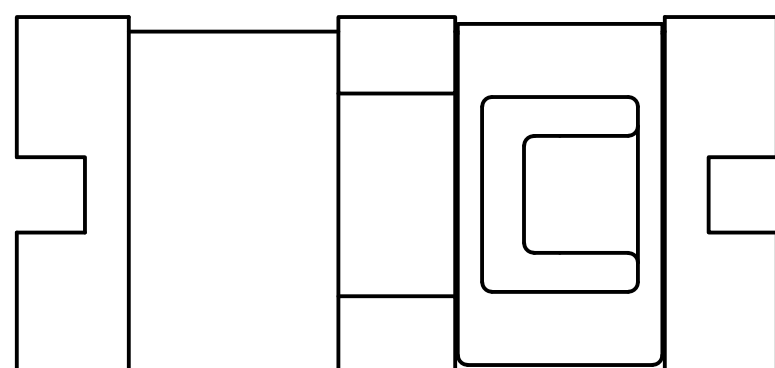
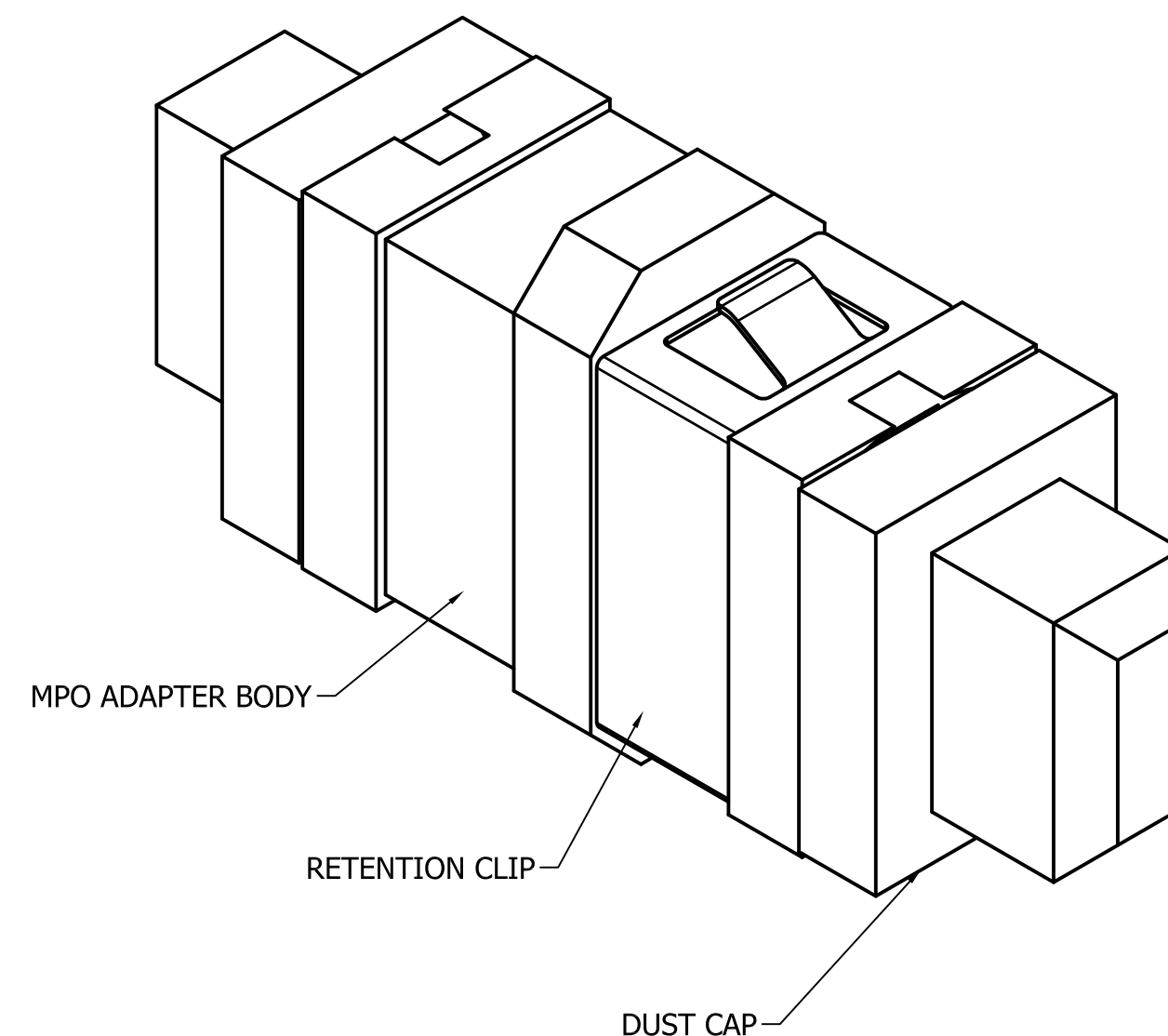
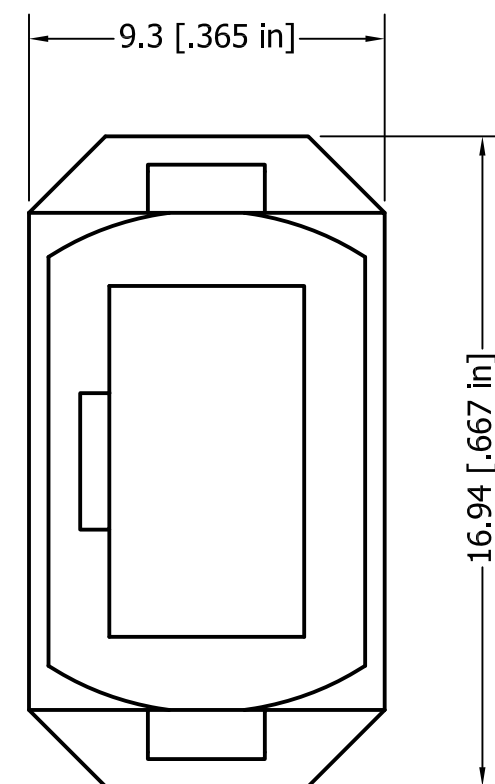
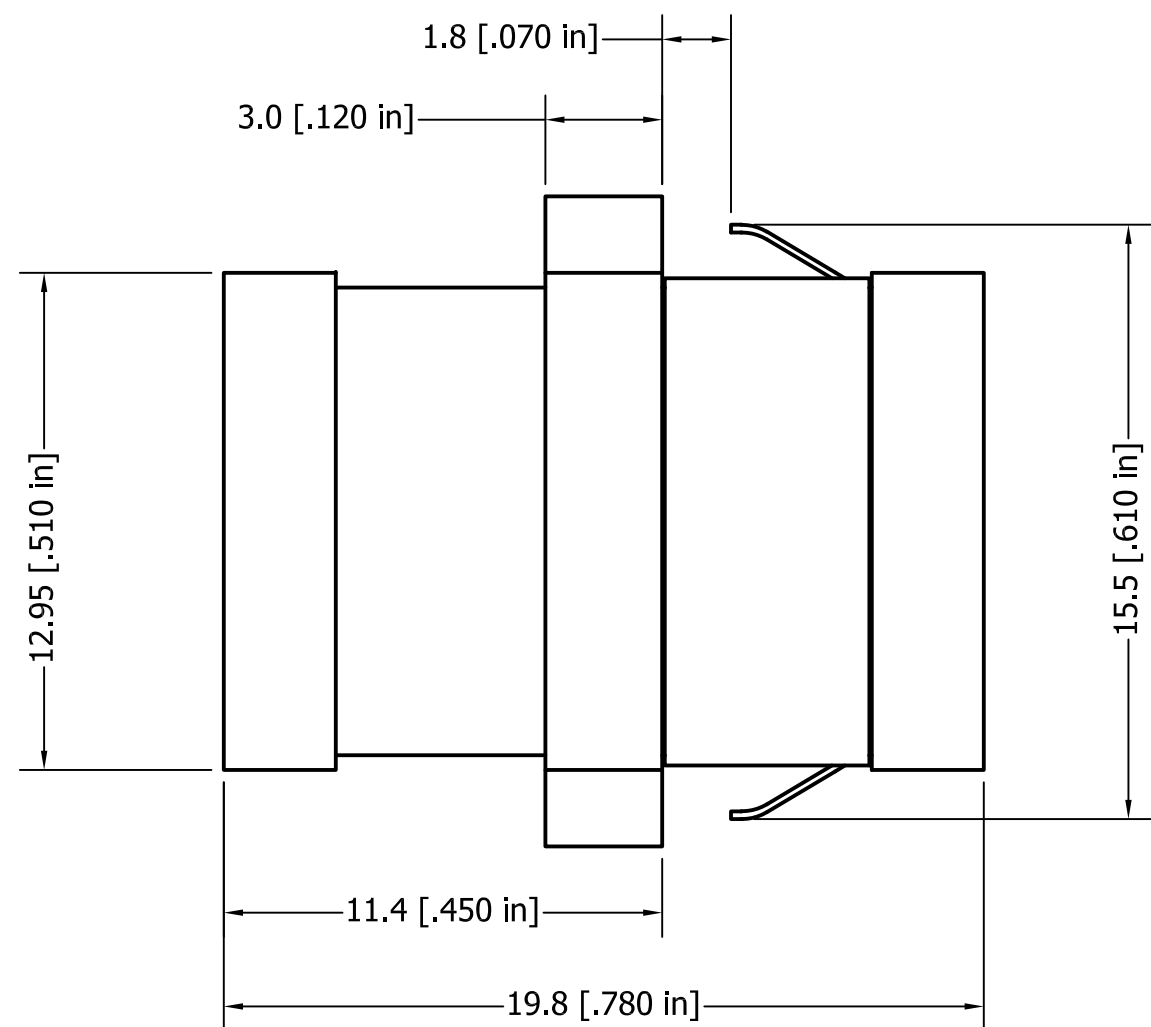
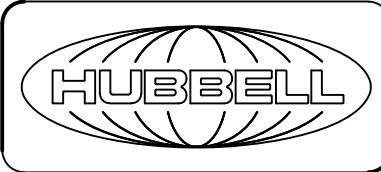


CATALOG NUMBER	COLOR
FANMTPAQ	AQUA
FANMTPBE	BEIGE
FANMTPBK	BLACK
FANMTPGN	GREEN
FANMTPVI	VIOLET
FANMTPRPGY	GRAY



- NOTES:
1. RETAINING CLIP IS MADE OUT OF STAINLESS STEEL; ADAPTER OUT OF ENGINEERED PLASTIC.
 2. PRODUCT SHIPS WITH DUST CAPS INSTALLED.
 3. SPECIFICATIONS SUBJECT TO CHANGE WITHOUT NOTICE.

REV	ECN	DATE	DESCRIPTION	CHG BY	APPD BY
1	210202004508	2/1/21	INITIAL RELEASE	DPO	MMA

Created on INVENTOR	DIMENSIONING AND TOLERANCE PER ANSI Y14.5M-1982 UNLESS OTHERWISE SPECIFIED, DIMENSIONS ARE IN INCHES (MM). TOLERANCES:XX = ±.01 (.25) .XXX = ±.005 (.127) .XXXX = ±.0025 (.0635) ANGLE TOL ±1°		PROJECT REFERENCE: NPD-03368		 Hubbell Premise Wiring HUBBELL INCORPORATED (Delaware) 23 Clara Drive, Mystic, Connecticut 06355
	IN ACCEPTING OUR DRAWINGS, BLUEPRINTS, OR SUPPORTING DOCUMENTATION FOR QUOTATION OR OTHER PURPOSES, YOU AGREE NOT TO DISCLOSE TO OTHERS THE IDEAS, INFORMATION, OR DESIGNS SHOWN HEREIN, AND THAT YOU WILL MAKE NO USE OF SAME WITHOUT PERMISSION		MATERIAL: SEE NOTES		
	DRAWN BY: D.O'CONNOR 2/1/21		TITLE: MPO ADAPTER, SNAP MOUNT, SC SIMPLEX		
	CHECKED BY:		SIZE C	DRAWING NO. HWS14998C	REV. 1
APPROVED BY:		SCALE: NTS		SHEET 1 OF 1	