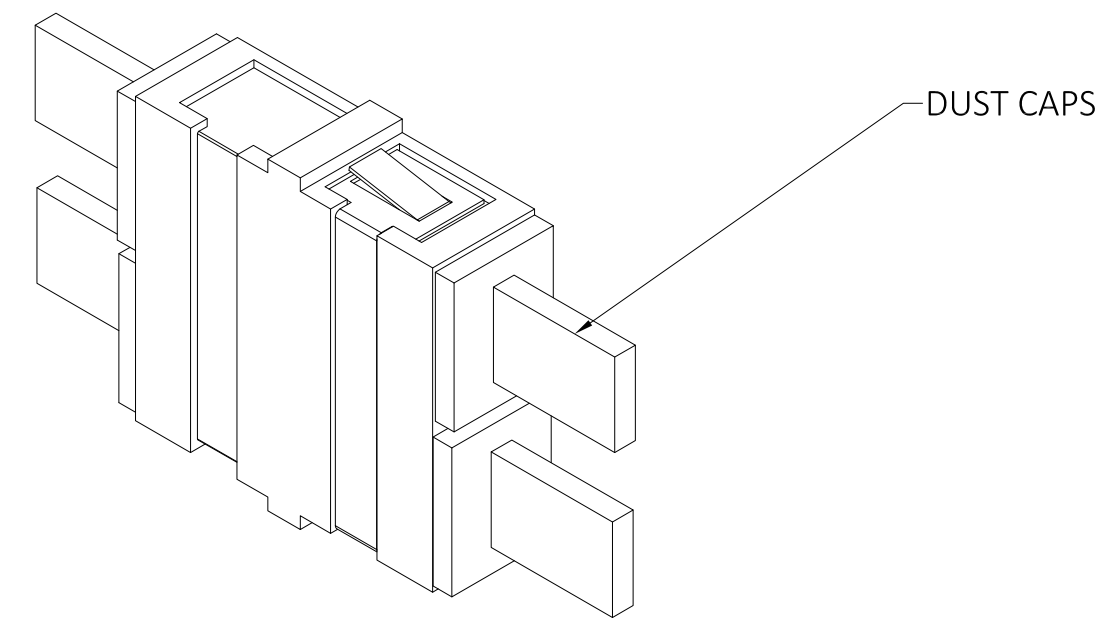
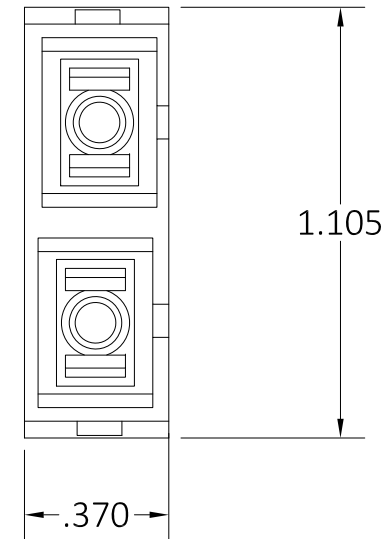
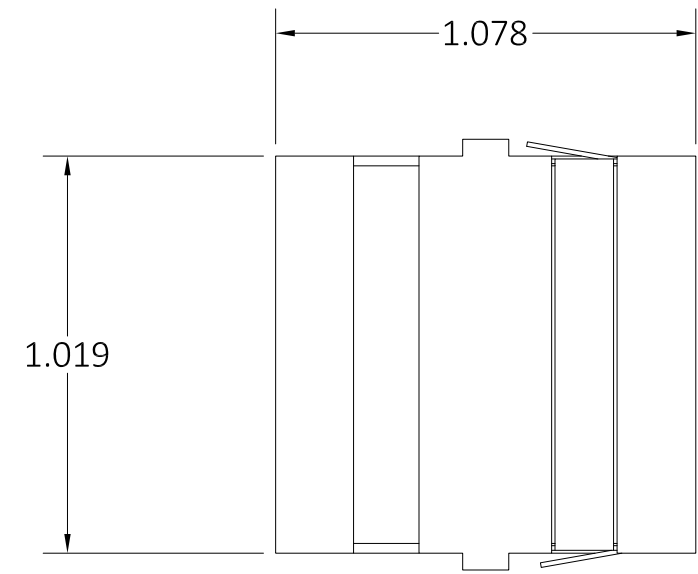
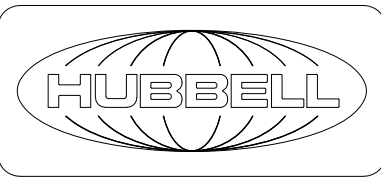


| CATALOG NUMBER | DESCRIPTION | COLOR |
|----------------|--|--------|
| FANSCDSC6AQ | FIBER,ADAPT,SC DUPLX,SNAPMT,ZIRC,6/PK,AQ | AQUA |
| FANSCDSC6B | FIBER,ADAPT,SC DUPLX,SNAPMT,ZIRC,6/PK,BL | BLUE |
| FANSCDSC6BE | FIBER,ADAPT,SC DUPLX,SNAPMT,ZIRC,6/PK,BE | BEIGE |
| FANSCDSC6BK | FIBER,ADAPT,SC DUPLX,SNAPMT,ZIRC,6/PK,BK | BLACK |
| FANSCDSC6GN | FIBER,ADAPT,SC DUPLX,SNAPMT,ZIRC,6/PK,GN | GREEN |
| FANSCDSC6OR | FIBER,ADAPT,SC,DUPLX,SNAPMT,ZIRC,6/PK,OR | ORANGE |
| FANSCDSC6R | FIBER,ADAPT,SC,DUPLX,SNAPMT,ZIRC,6/PK,RD | RED |
| FANSCDSC6Y | FIBER,ADAPT,SC,DUPLX,SNAPMT,ZIRC,6/PK,YL | YELLOW |



- NOTES:
1. MATERIAL: MOUNTING CLIP, STAINLESS STEEL
HOUSING, ENGINEERED THERMOPLASTIC
 2. PRODUCT SHIPS WITH DUST CAPS INSTALLED
 3. SPECIFICATIONS SUBJECT TO CHANGE WITHOUT NOTICE.

| | | | | | | | |
|---------------------|---|--------------|---------------------------------|--|--|---|---------------|
| Created on INVENTOR | DIMENSIONING AND TOLERANCE PER ANSI Y14.5M-1982 UNLESS OTHERWISE SPECIFIED, DIMENSIONS ARE IN INCHES (MM). TOLERANCES.XX = ±.01 (.25) .XXX = ±.005 (.127) .XXXX = ±.0025 (.0635) ANGLE TOL ±1° | | PROJECT REFERENCE: NPD-03368 | |  Hubbell Premise Wiring HUBBELL INCORPORATED (Delaware) 23 CLARA DRIVE, SUITE 103 MYSTIC, CT 06355 | | |
| | IN ACCEPTING OUR DRAWINGS, BLUEPRINTS, OR SUPPORTING DOCUMENTATION FOR QUOTATION OR OTHER PURPOSES, YOU AGREE NOT TO DISCLOSE TO OTHERS THE IDEAS, INFORMATION, OR DESIGNS SHOWN HEREIN, AND THAT YOU WILL MAKE NO USE OF SAME WITHOUT PERMISSION | | MATERIAL: SEE NOTES | | | TITLE: SC DUPLEX ADAPTER, CLIP MOUNT, 6 PACK | |
| | | | DRAWN BY: D.O'CONNOR 2/1/21 | | SIZE: C | DRAWING NO. HWS15002C | REV. 1 |
| | | | CHECKED BY: | | SCALE: N/A | | SHEET 1 OF 1 |
| | | APPROVED BY: | | | | | |

| REV. | ECN | DATE | DESCRIPTION | CHG BY | APPD BY |
|------|--------------|--------|-----------------|--------|---------|
| 1 | 210202004508 | 2/2/21 | INITIAL RELEASE | DPO | MMA |