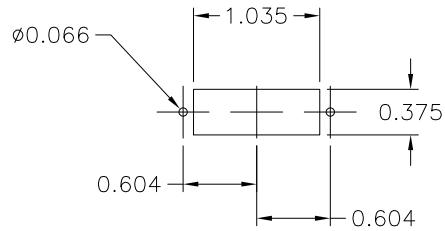
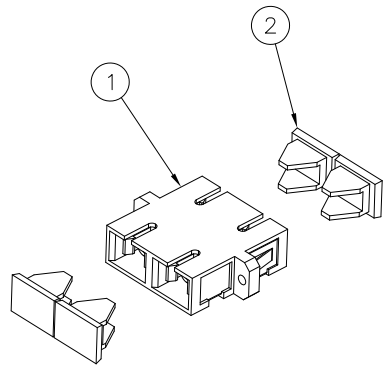
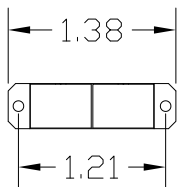
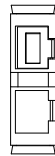
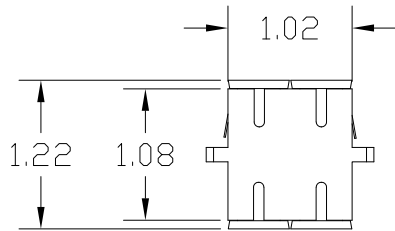


ITEM NO.	DESCRIPTION	QTY.
1	SCREW MOUNT ADAPTER	6
2	DUST CAP	24
3	MOUNTING SCREW	12

CATALOG NUMBER	SPLIT SLEEVE	ADAPTER COLOR
FANSCDSS6R	ZIRCONIA	RED
FANSCDSS6OR	ZIRCONIA	ORANGE
FANSCDSS6GN	ZIRCONIA	GREEN
FANSCDSS6Y	ZIRCONIA	YELLOW
FANSCDSS6B	ZIRCONIA	BLUE
FANSCDSS6BK	ZIRCONIA	BLACK
FANSCDSS6BE	ZIRCONIA	BEIGE
FANSCDSS6AQ	ZIRCONIA	AQUA



**RECOMMENDED  
PANEL CUTOUT**



**NOTES:**

- ADAPTERS SUPPLIED WITH (2) SCREWS AND DUST CAPS INSTALLED.
- ADAPTER MATERIAL IS UL-V0 ENGINEERING THERMOPLASTIC.
- CLIP MATERIAL IS STAINLESS STEEL.
- ALIGNMENT SLEEVE MATERIAL IS ZIRCONIA- COMPATIBLE WITH BOTH SINGLMODE AND MULTIMODE FIBER.
- SPECIFICATIONS SUBJECT TO CHANGE WITHOUT NOTICE.

1	210202004508	2/1/21	INITIAL RELEASE	DPO	MMA
REV.	ECN	DATE	DESCRIPTION	CHG BY	APPD BY

Created on AUTOCAD

DIMENSIONING AND TOLERANCE PER  
ANSI Y14.5M-1982  
UNLESS OTHERWISE SPECIFIED,  
DIMENSIONS ARE IN INCHES (MM).  
TOLERANCES  
.XX = ±.01 (.25)  
.XXX = ±.005 (.127)  
.XXXX = ±.0025 (.0635)  
ANGLE TOL ±1°

IN ACCEPTING OUR DRAWINGS,  
BLUEPRINTS, OR SUPPORTING  
DOCUMENTATION FOR QUOTATION  
OR OTHER PURPOSES, YOU AGREE  
NOT TO DISCLOSE TO OTHERS  
THE IDEAS, INFORMATION, OR  
DESIGNS SHOWN HEREIN, AND  
THAT YOU WILL MAKE NO USE  
OF SAME WITHOUT PERMISSION

PROJECT REFERENCE:  
NPD-03368

MATERIAL:  
SEE NOTES

DRAWN BY:  
D.O'CONNOR 2/1/21

CHECKED BY:

APPROVED BY:



**Hubbell Premise Wiring**  
HUBBELL INCORPORATED (Delaware)  
23 Clara Drive, Mystic, Connecticut 06355

TITLE:  
ADAPTER, SC DUPLEX, SCREW MOUNT

SIZE <b>B</b>	DRAWING NO. <b>HWS15003C</b>	REV. <b>1</b>
SCALE: <b>1/1</b>	SHEET <b>1 OF 1</b>	