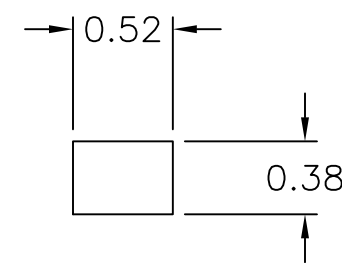
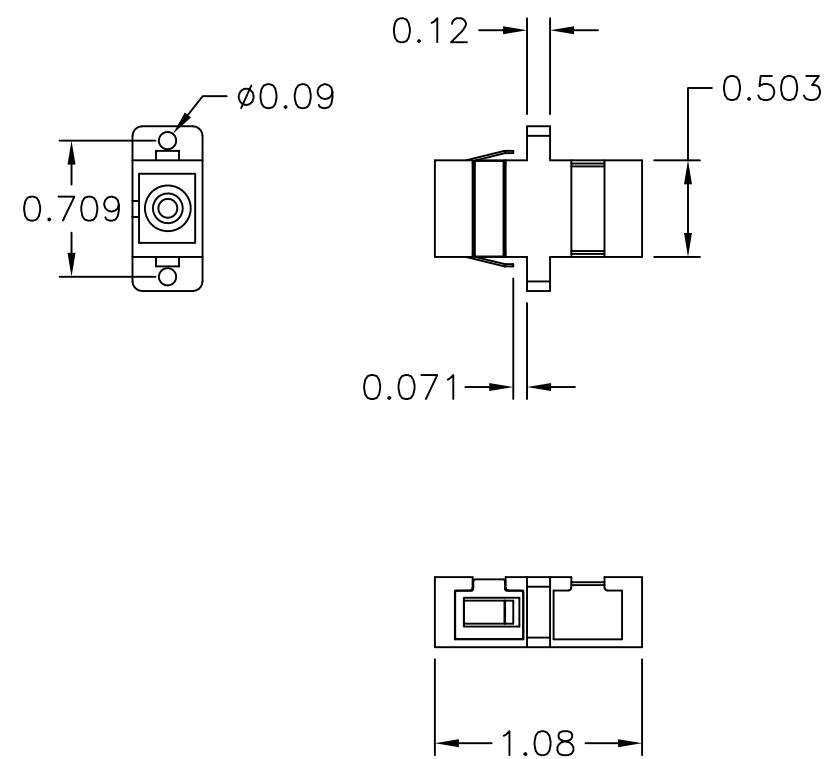
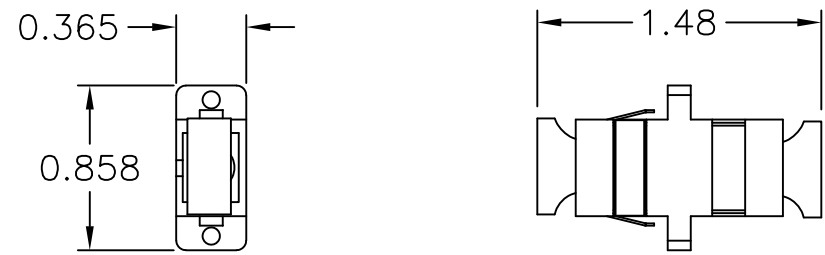
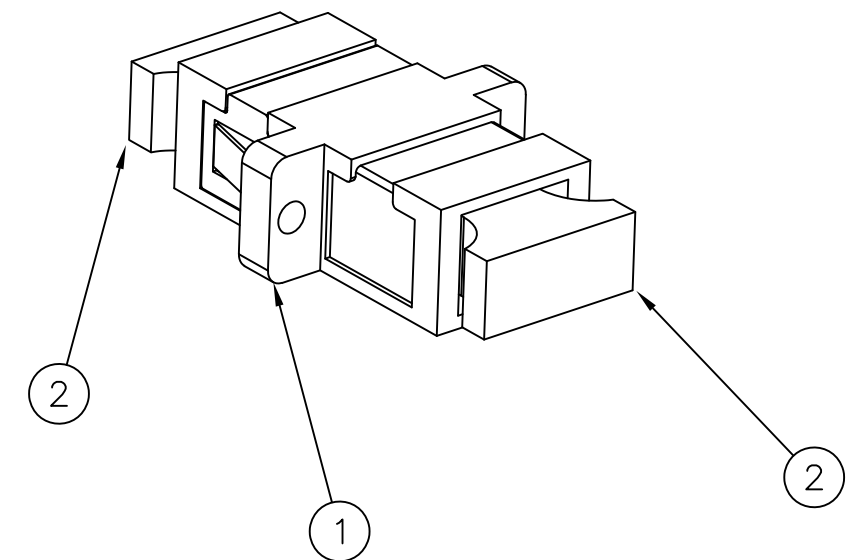


ITEM NO.	DESCRIPTION	QTY.
1	ADAPTER, SC OR SC/APC SIMPLEX	1
2	SC DUST CAP	2

CATALOG NUMBER	HOUSING COLOR	DESCRIPTION	SPLIT SLEEVE MATERIAL
FANSCSS12R	RED	ADAPTER, SC/PC SIMPLEX	ZIRCONIA
FANSCSS12Y	YELLOW	ADAPTER, SC/PC SIMPLEX	ZIRCONIA
FANSCSS12GN	GREEN	ADAPTER, SC/PC SIMPLEX	ZIRCONIA
FANSCSS12B	BLUE	ADAPTER, SC/PC SIMPLEX	ZIRCONIA
FANSCSS12OR	ORANGE	ADAPTER, SC/PC SIMPLEX	ZIRCONIA
FANSCSS12BK	BLACK	ADAPTER, SC/PC SIMPLEX	ZIRCONIA
FANSCSS12BE	BEIGE	ADAPTER, SC/PC SIMPLEX	ZIRCONIA
FANSCSS12AQ	AQUA	ADAPTER, SC/PC SIMPLEX	ZIRCONIA



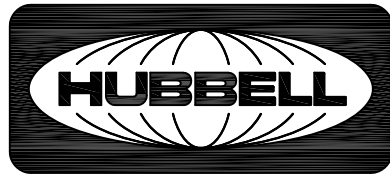
RECOMMENDED
PANEL CUTOUT



NOTES:

- ADAPTERS SUPPLIED WITH DUST CAPS INSTALLED.
- ADAPTER MATERIAL IS UL-V0 ENGINEERING THERMOPLASTIC.
- CLIP MATERIAL IS STAINLESS STEEL.
- SPLIT SLEEVE MATERIAL - SEE TABLE
ZIRCONIA COMPATIBLE WITH BOTH MULTIMODE AND SINGLEMODE FIBER.
- SPECIFICATIONS SUBJECT TO CHANGE WITHOUT NOTICE.

1	210202004508	2/1/21	INITIAL RELEASE	DPO	MMA
REV.	ECN	DATE	DESCRIPTION	CHG BY	APPD BY

Created on AUTOCAD	DIMENSIONING AND TOLERANCE PER ANSI Y14.5M-1982 UNLESS OTHERWISE SPECIFIED, DIMENSIONS ARE IN INCHES (MM). TOLERANCES .XX = ±.01 (.25) .XXX = ±.005 (.127) .XXXX = ±.0025 (.0635) ANGLE TOL ±1°		PROJECT REFERENCE: NPD-03368		 Hubbell Premise Wiring HUBBELL INCORPORATED (Delaware) 23 Clara Drive, Mystic, Connecticut 06355					
	IN ACCEPTING OUR DRAWINGS, BLUEPRINTS, OR SUPPORTING DOCUMENTATION FOR QUOTATION OR OTHER PURPOSES, YOU AGREE NOT TO DISCLOSE TO OTHERS THE IDEAS, INFORMATION, OR DESIGNS SHOWN HEREIN, AND THAT YOU WILL MAKE NO USE OF SAME WITHOUT PERMISSION		MATERIAL:							
			DRAWN BY: D.O'CONNOR 2/1/21		TITLE: FIBER OPTIC ADAPTER SC SIMPLEX, SMMM, SCREW MOUNT					
			CHECKED BY:		<table border="1"> <tr> <td>SIZE</td> <td>DRAWING NO.</td> <td>REV.</td> </tr> <tr> <td>C</td> <td>HWS15004C</td> <td>1</td> </tr> </table>	SIZE	DRAWING NO.	REV.	C	HWS15004C
SIZE	DRAWING NO.	REV.								
C	HWS15004C	1								
		APPROVED BY:		SCALE: 1/1 SHEET 1 OF 1						