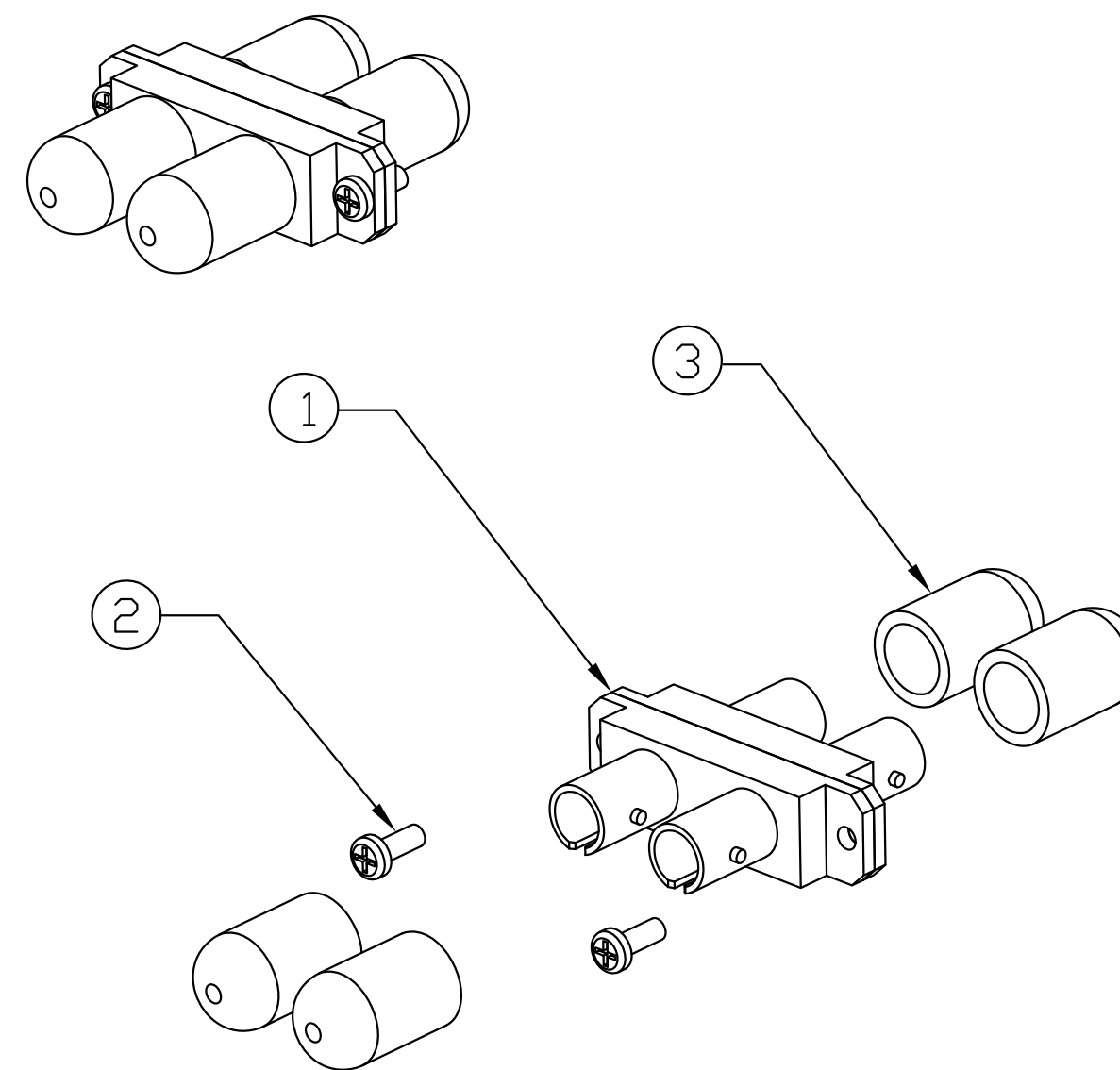
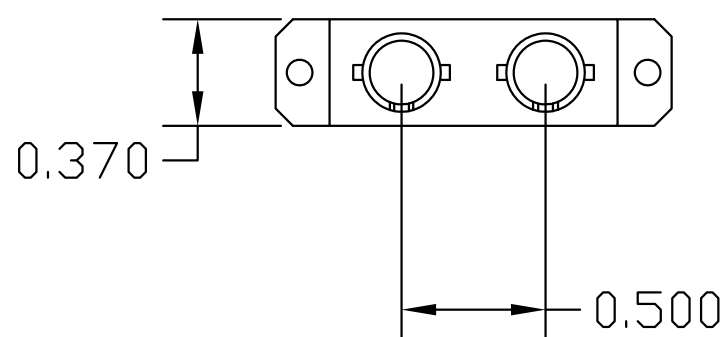
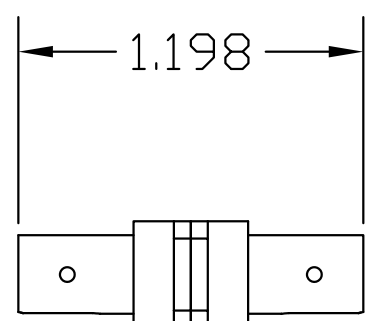
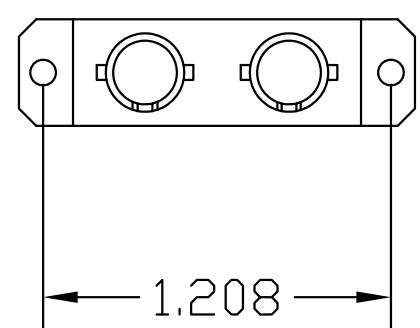
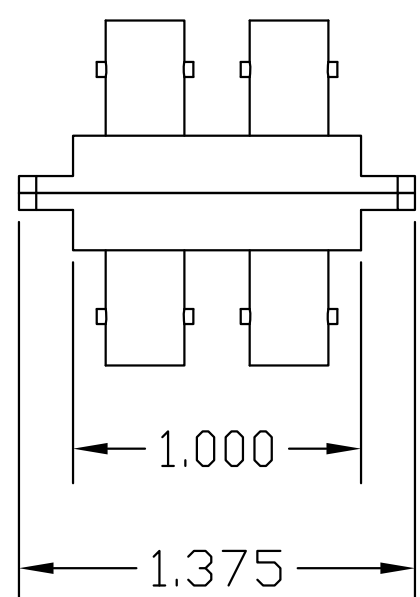



ITEM NO.	DESCRIPTION	QTY.
1	ADAPTER, ST DUPLEX	6
2	SCREW, ADAPTER	12
3	DUST CAP, ST	24

CATALOG NUMBER	ADAPTER COLOR	SPLIT SLEEVE MATERIAL
FANSTDSS6	BLUE	ZIRCONIA
FANSTDMPGN6	GREEN	ZIRCONIA



NOTES:

- ADAPTERS SUPPLIED WITH (2) SCREWS AND DUST CAPS INSTALLED, 6 ADAPTERS PER BOX.
- ADAPTER MATERIAL IS UL-V0 ENGINEERING THERMOPLASTIC.
- HIGH PRECISION ALIGNMENT SLEEVES - SEE TABLE FOR MATERIAL. ZIRCONIA COMPATIBLE WITH BOTH SINGLEMODE AND MULTIMODE FIBER.
- SPECIFICATIONS SUBJECT TO CHANGE WITHOUT NOTICE.

Created on AUTOCAD	DIMENSIONING AND TOLERANCE PER ANSI Y14.5M-1982, UNLESS OTHERWISE SPECIFIED, DIMENSIONS ARE IN INCHES (MM). TOLERANCES .XX = ±.01 (.25) .XXX = ±.005 (.127) .XXXX = ±.0025 (.0635) ANGLE TOL ±1°		PROJECT REFERENCE: <b>NPD-03368</b>		 <b>Hubbell Premise Wiring</b> HUBBELL INCORPORATED (Delaware) 23 Clara Drive, Mystic, Connecticut 06355		
	IN ACCEPTING OUR DRAWINGS, BLUEPRINTS, OR SUPPORTING DOCUMENTATION FOR QUOTATION OR OTHER PURPOSES, YOU AGREE NOT TO DISCLOSE TO OTHERS THE IDEAS, INFORMATION, OR DESIGNS SHOWN HEREIN, AND THAT YOU WILL MAKE NO USE OF SAME WITHOUT PERMISSION		MATERIAL:  SEE NOTES			TITLE: <b>FIBER ADAPTER ST DUPLEX</b>	
			DRAWN BY: D.O'CONNOR 2/1/21		SIZE: <b>C</b>	DRAWING NO.: <b>HWS15006C</b>	REV.: <b>1</b>
			CHECKED BY:		SCALE: 1/1		SHEET 1 OF 1
		APPROVED BY:					

REV.	ECN	DATE	DESCRIPTION	CHG BY	APPD BY
1	210202004508	2/1/21	INITIAL RELEASE	DPO	MMA