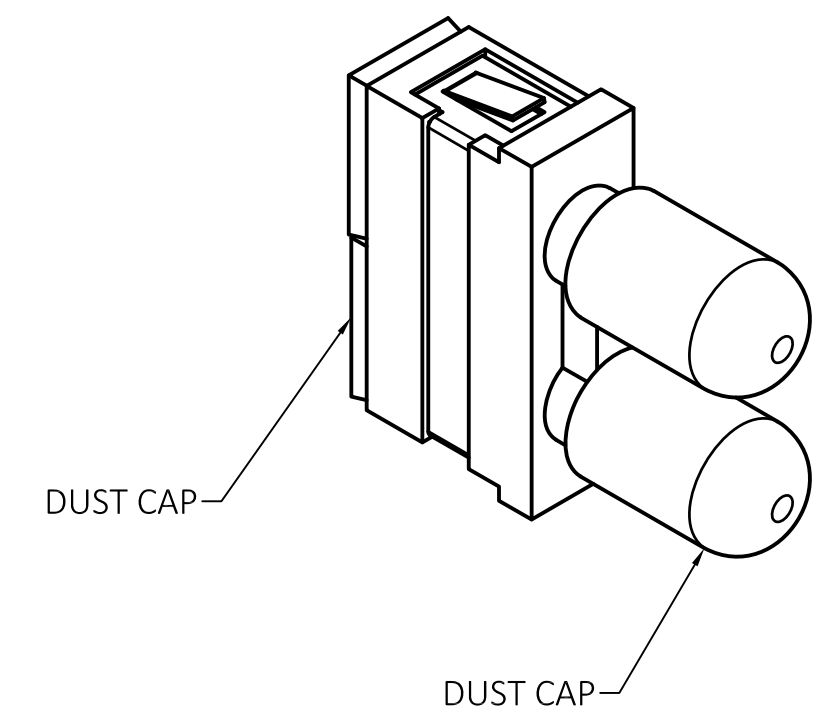
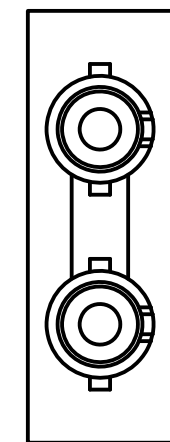
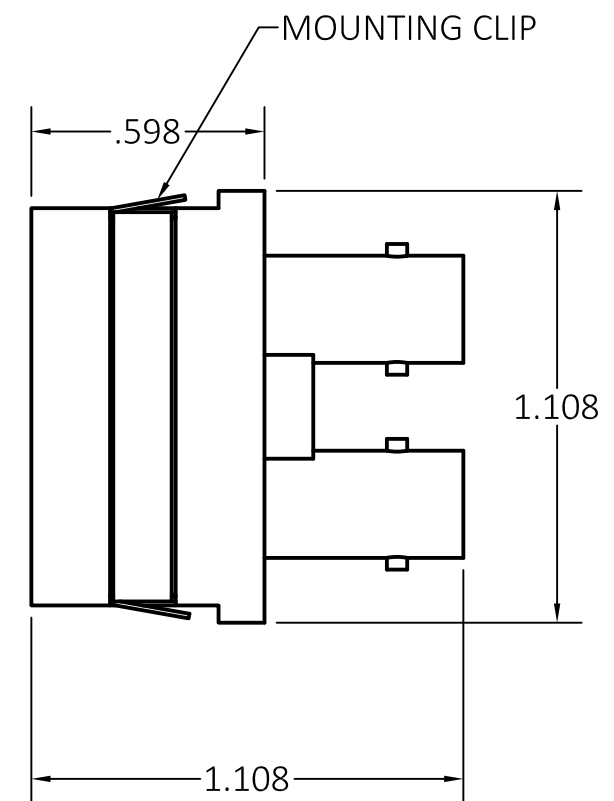
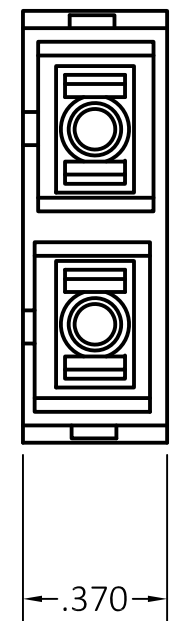
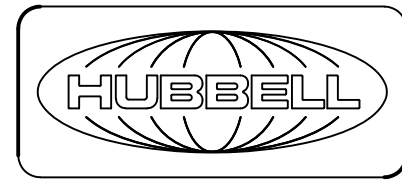


CATALOG NUMBER	DESCRIPTION	COLOR
FANSTSCDSC6	FIBER, ADPT,ST-SC,DPLX,ZIRC,SNAP,6/PK,BL	BLUE



- NOTES:
1. MATERIAL: MOUNTING CLIP, STAINLESS STEEL
HOUSING, ENGINEERED THERMOPLASTIC
ST CONNECTOR, DIE CAST ZINC
 2. PRODUCT SHIPS WITH DUST CAPS INSTALLED
 3. SPECIFICATIONS SUBJECT TO CHANGE WITHOUT NOTICE.

Created on INVENTOR	DIMENSIONING AND TOLERANCE PER ANSI Y14.5M-1982 UNLESS OTHERWISE SPECIFIED, DIMENSIONS ARE IN INCHES (MM). TOLERANCES:XX = ±.01 (.25) .XXX = ±.005 (.127) .XXXX = ±.0025 (.0635) ANGLE TOL ±1°		PROJECT REFERENCE: NPD-03368	 Hubbell Premise Wiring HUBBELL INCORPORATED (Delaware) 23 CLARA DRIVE, SUITE 103 MYSTIC, CT 06355	
	IN ACCEPTING OUR DRAWINGS, BLUEPRINTS, OR SUPPORTING DOCUMENTATION FOR QUOTATION OR OTHER PURPOSES, YOU AGREE NOT TO DISCLOSE TO OTHERS THE IDEAS, INFORMATION, OR DESIGNS SHOWN HEREIN, AND THAT YOU WILL MAKE NO USE OF SAME WITHOUT PERMISSION		MATERIAL: SEE NOTES		TITLE: SC ST ADAPTER, CLIP MOUNT, 6 PACK
			DRAWN BY: D.O'CONNOR 2/1/21	SIZE: C	DRAWING NO. HWS15008C
			CHECKED BY:	SCALE: N/A	REV. 1
		APPROVED BY:	SHEET 1 OF 1		

1	210202004508	2/1/21	INITIAL RELEASE	DPO	MMA
REV.	ECN	DATE	DESCRIPTION	CHG BY	APPD BY