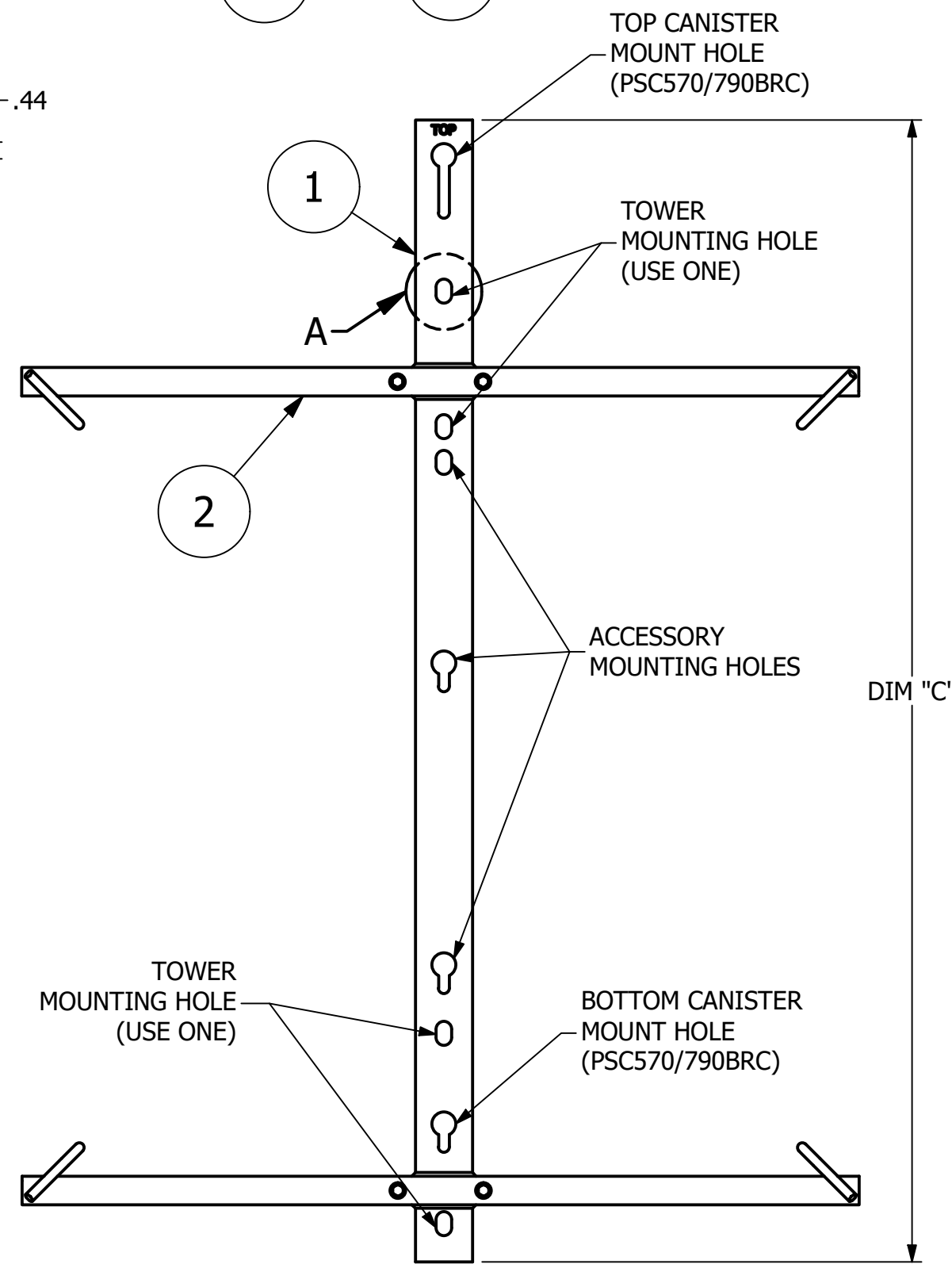
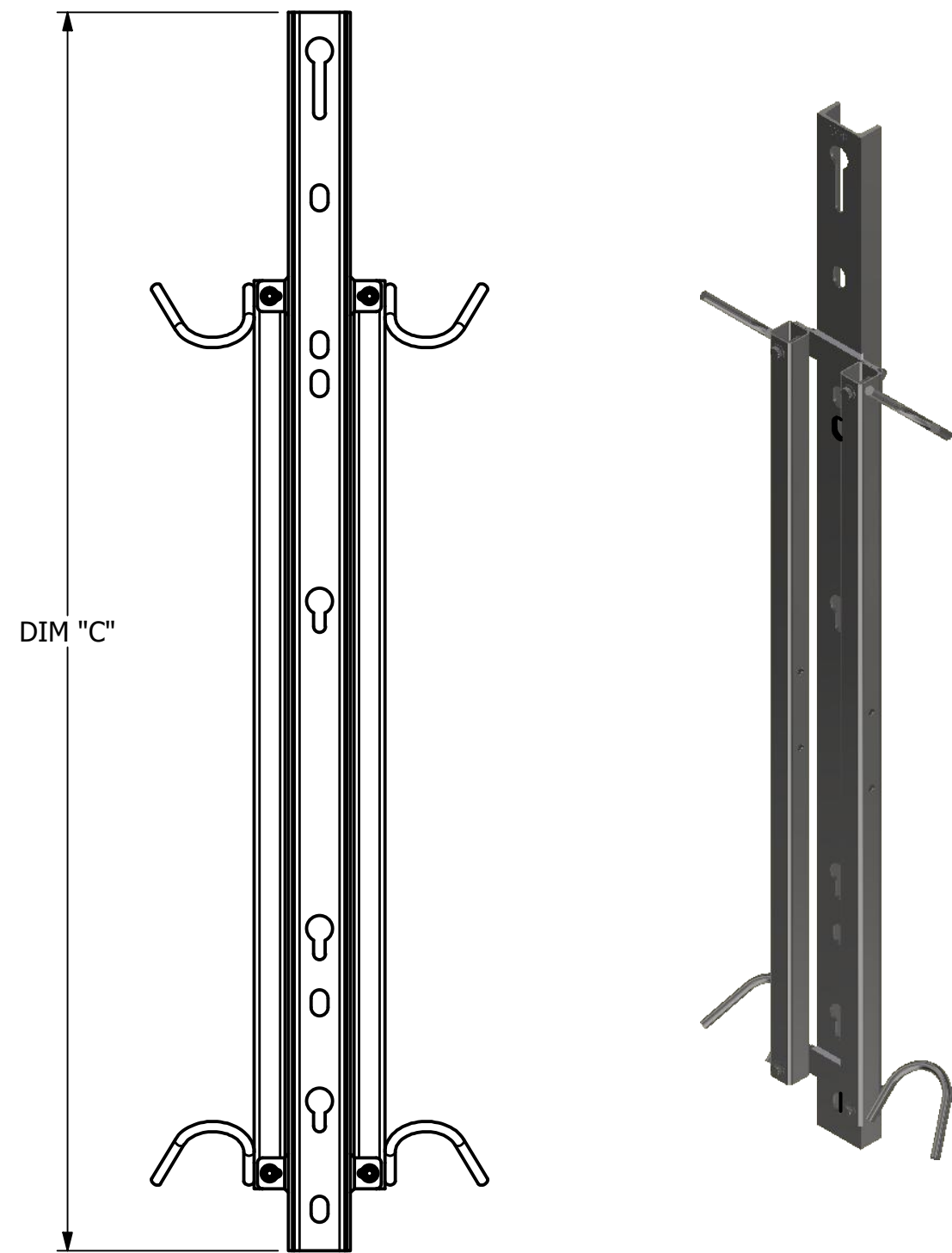
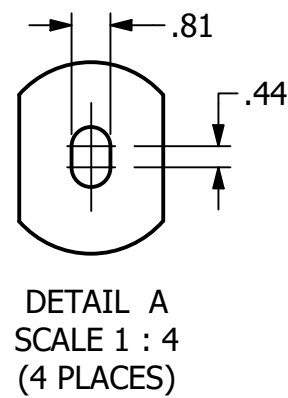
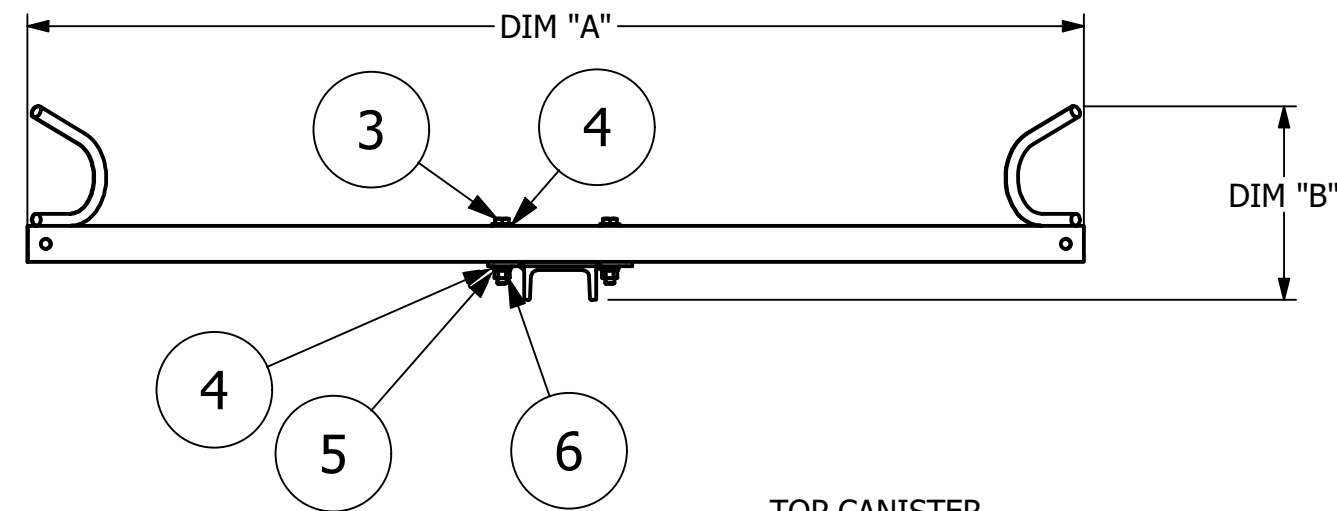
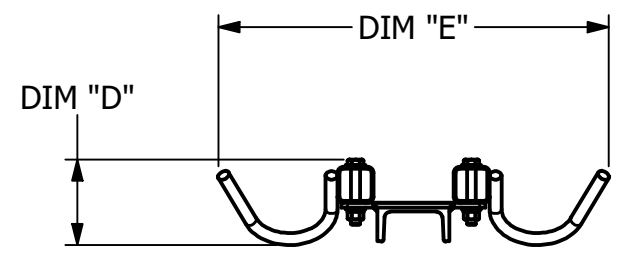


CATALOG NO.	DESCRIPTION	DIM "A" IN. [MM]	DIM "B" IN. [MM]	DIM "C" IN. [MM]	DIM "D" IN. [MM]	DIM "E" IN. [MM]	WEIGHT LBS. [KG]	STANDARD PACK
PSC730CB	GALVANZIED STEEL COIL BRACKET 60" X 44"	44.020 [1118.108]	8.062 [204.768]	60.000 [1524.00]	3.553 [90.25]	16.260 [412.98]	35.000 [15.88]	1

ITEM	DESCRIPTION	QTY
1	CHANNEL ASSEMBLY, 730CB	1
2	1.5 SQ TUBE ARM ASSEMBLY	2
3	HEX HD Mach Bolt	4
4	3/8 FLAT WASHER, HOT DIP GALVANIZED	8
5	3/8" LOCK WASHER, HOT DIP GALV.	4
6	3/8 HEX NUT, HOT DIPPED GALVANIZED	4

PACKED VIEW

ASSEMBLED VIEW



- NOTES:
- ALL DIMENSIONS FOR REFERENCE ONLY. DISTANCE IN. [MM], FORCE LBS. [kN], TORQUE IN. LBS. [N.m] & WEIGHT LBS. [KG]
 - RATINGS:
A. NA
 - CERTIFICATIONS, SPECIFICATIONS, & STANDARDS:
A. NA
 - SUFFIXES & VARIANT CONFIGURATION:
A. NA

210324006397	03/24/21	AA	MK	SD
EC #	DATE	CHANGED BY	CHECKED BY	APPROVED BY
DESCRIPTION: INITIAL RELEASE				WEIGHT, LBS SEE TABLE
ADDITIONAL COMMENTS: --				THIRD ANGLE PROJECTION
<small>CONFIDENTIAL: THIS DRAWING AND ITS CONTENTS ARE CONFIDENTIAL AND THE EXCLUSIVE PROPERTY OF HUBBELL POWER SYSTEMS. NO PUBLICATION, DISTRIBUTION OR COPIES MAY BE MADE WITHOUT THE WRITTEN CONSENT OF HUBBELL POWER SYSTEMS. HUBBELL POWER SYSTEMS UNPUBLISHED ALL RIGHTS RESERVED UNDER THE COPYRIGHT LAWS</small>				

HUBBELL POWER SYSTEMS, Inc.

TITLE: GALVANZIED STEEL COIL BRACKET

CATALOG NUMBER: SEE TABLE

SIZE C	DWG NO. CC-27000	PART / ASSY NO. SEE TABLE	REV 00
-----------	---------------------	------------------------------	-----------

SCALE: 1 : 8 DRN BY: MK DATE: 09/16/20 SHEET 1 OF 1