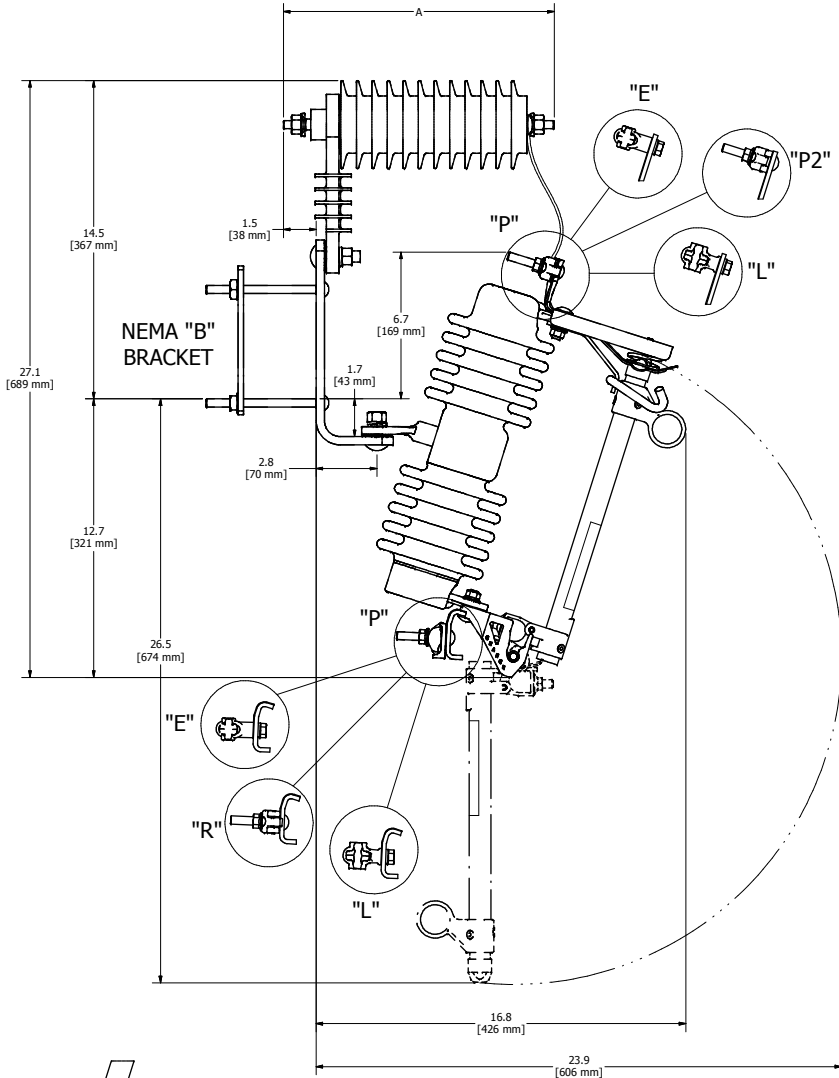


POLYMER ARRESTER					
BRAND	BLOCK	TYPE	KV	POSITION 4 & 5	A
OB	SMALL	MOV	18	DN	11.6 (295MM)
OB	LARGE	MOV	18	EN	10.9 (277MM)
OB	RISER	MOV	18	FN	11.6 (295MM)
OB	SMALL	MOV	27	DP	17 (432MM)
OB	LARGE	MOV	27	EP	15.7 (399MM)
OB	RISER	MOV	27	FP	20.3 (516MM)

OB = OHIO BRASS
MOV = METAL OXIDE VARISTOR

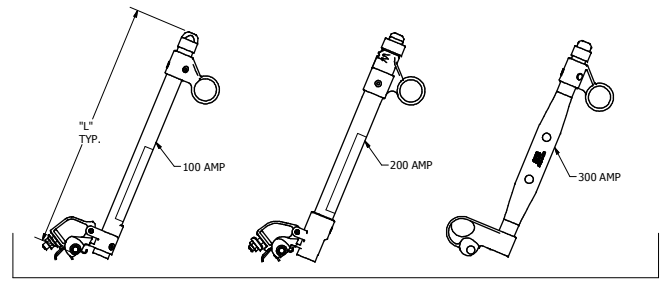
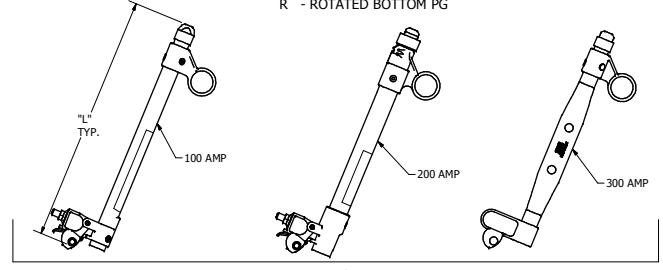
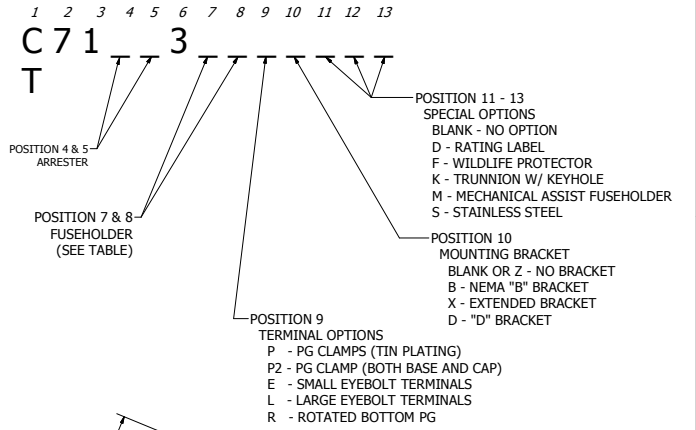
POSITION 7 & 8 FUSE HOLDER					
POSITION 7&8	KV MAX	AMPS	AIC ASYM	"L"	ARC ROD
11	27	100	8,000	14.97 (380 MM)	NONE
13	27	100	12,000	15.06 (383 MM)	4.50 (114 MM)
42	27	200	10,000	15.06 (383 MM)	4.50 (114 MM)
43	27	200	12,000	15.06 (383 MM)	4.50 (114 MM)
33	27	300	12,000	15.06 (383 MM)	NONE
MM	-	-	-	-	-

POLYMER BODY ARRESTERS



MECHANICAL ASSIST SPRING
FOR 100 AND 200 AMP
FUSEHOLDERS

CATALOG NUMBERING SYSTEM
POSITION



DIMENSIONS ARE APPROXIMATE
AND FOR REFERANCE ONLY

CONFIDENTIAL

CHANCE		HUBBELL POWER SYSTEMS, INC.	
EC: 71906 SR	11-16-17	TITLE	
CONFIDENTIAL: THIS DRAWING AND ITS CONTENTS ARE CONFIDENTIAL AND THE EXCLUSIVE PROPERTY OF HUBBELL POWER SYSTEMS. NO PUBLICATION, DISTRIBUTION OR COPIES MAY BE MADE WITHOUT THE WRITTEN CONSENT OF HUBBELL POWER SYSTEMS. HUBBELL POWER SYSTEMS UNPUBLISHED ALL RIGHTS RESERVED UNDER THE COPYRIGHT LAWS		CUTOUT, ARRESTER 27 KV 150KV BIL	
SIZE	DWG NO. PSSA71DN3	CAT / PART / ASSY NO. SEE CHART	REV A
DO NOT SCALE THIS DRAWING	DRN BY SHARMILA	DATE 11-16-17	SHEET 01 OF 01