

DB = D110 BRASS
MOV = METAL OXIDE VARISTOR

CATALOG NUMBERING SYSTEM

POSITION
1 2 3 4 5 6 7 8 9 10 11
C 7 1 6

| POLYMER ARRESTER | | | | |
|------------------|-------|------|----|------------------|
| BRAND | BLOCK | TYPE | KV | POSITION 4 AND 5 |
| DB | SMALL | MOV | 18 | DN |
| DB | LARGE | MOV | 18 | EN |
| DB | RISER | MOV | 18 | FN |
| DB | SMALL | MOV | 27 | DP |
| DB | LARGE | MOV | 27 | EP |
| DB | RISER | MOV | 27 | FP |

| POSITION 7 & 8 | LABEL INFORMATION | | |
|----------------|-------------------|-----|-------|
| | A | B | C |
| 13 | 36 | 100 | 11200 |
| 43 | 27 | 200 | 12000 |
| 33 | 36 | 300 | 12000 |
| MM | -- | -- | -- |

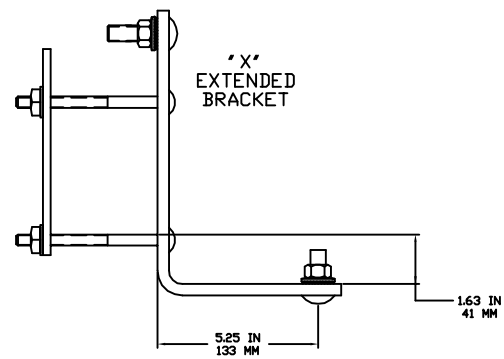
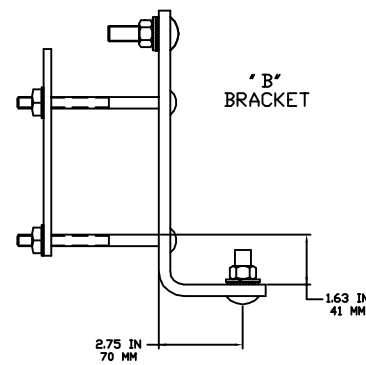
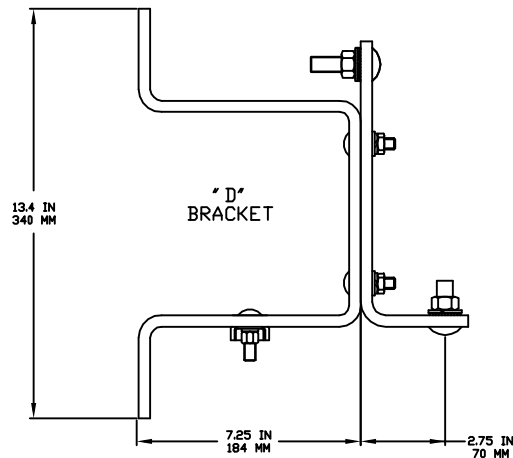
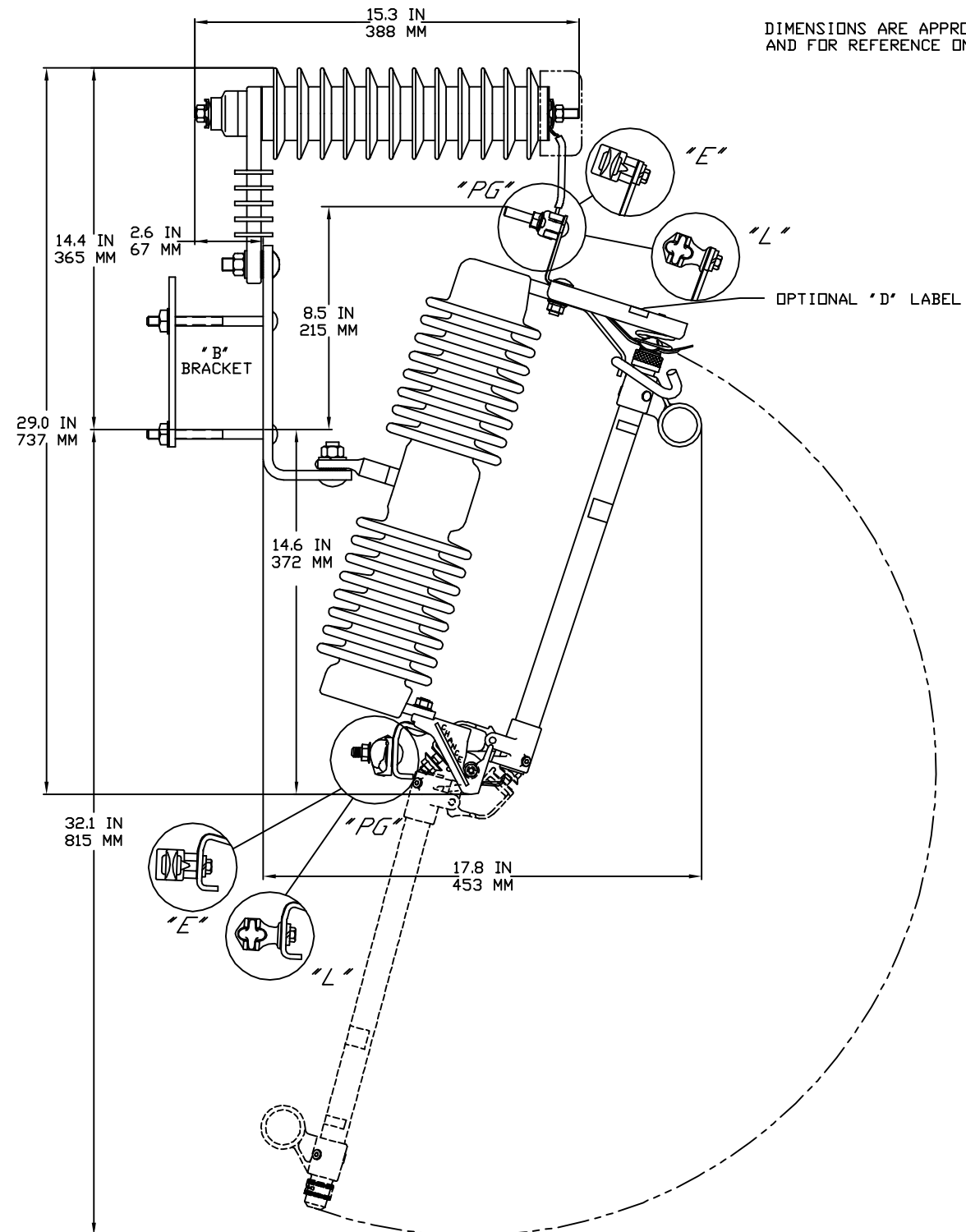
POSITION 11-13
SPECIAL OPTION
D - RATING LABEL
M - MECHANICAL ASSIST SPRING
S - STAINLESS STEEL

POSITION 10
MTG. BRACKET
Z OR BLANK - NO BRACKET
B - STD, SIMILAR TO NEMA B
X - EXTENDED BRACKET
D - "D" BRACKET

POSITION 9
TERMINAL/MTG. ASS'Y
P - PG CLAMP
E - SMALL EYEBOLT TERMINAL
L - LARGE EYEBOLT TERMINAL

CHANCE
CAT. NO. C710-6 SERIES
MAX. CONT. CURRENT 3000A
BIL RATING 170KV

DIMENSIONS ARE APPROXIMATE AND FOR REFERENCE ONLY



POLYMER BODY ARRESTERS

| | | | |
|--|--------------|---|----------------|
| CHANCE TOLERANCE CHART EC #: 55929 DAC: 05-29-14 | | HUBBELL POWER SYSTEMS POWER SYSTEMS, INC. | |
| CONFIDENTIAL: THIS DRAWING AND ITS CONTENTS ARE CONFIDENTIAL AND THE EXCLUSIVE PROPERTY OF HUBBELL POWER SYSTEMS. NO PUBLICATION, DISTRIBUTION OR COPIES MAY BE MADE WITHOUT THE WRITTEN CONSENT OF HUBBELL POWER SYSTEMS. HUBBELL POWER SYSTEMS UNPUBLISHED ALL RIGHTS RESERVED UNDER THE COPYRIGHT LAWS. | | | |
| TITLE 170 KV BIL (660 MM) CUTOUT/ARRESTOR COMBO | | SIZE DWG NO. CAT / PART / ASSY NO. REV D PSSA71DN6 PSSA71DN6 B | |
| DO NOT SCALE THIS DRAWING | DRN BY CLARK | DATE 6/24/13 | SHEET 01 OF 01 |