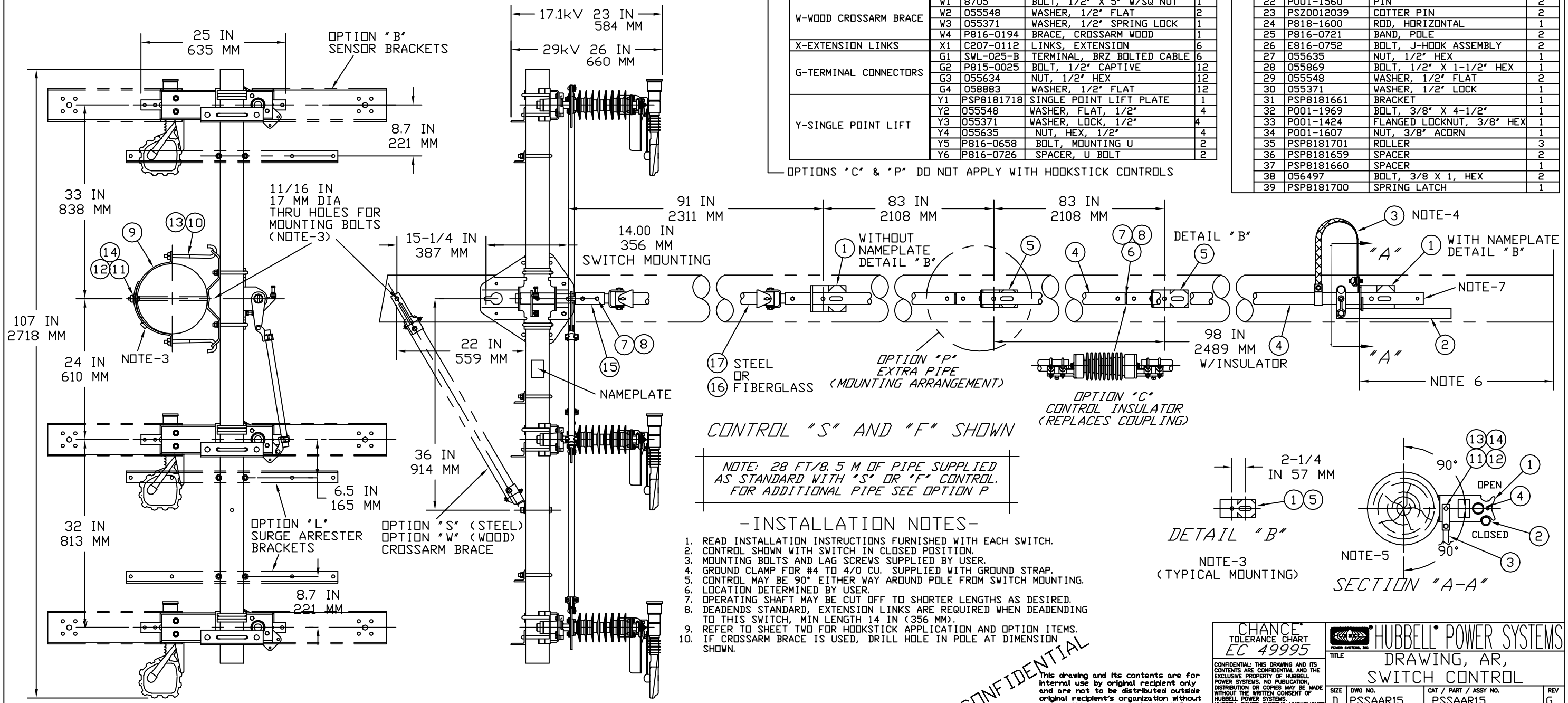


POSITIONS 4 THRU 11 OPTIONS				
	ITEM	PART NO	DESCRIPTION	QTY
B - SENSOR BRKTS	B1	E818-1621	KIT, SENSOR MOUNTING	1
	C1	E801-3397	INSULATOR, CTRL	1
	H1	P815-0025	BOLT, 1/2" CAPTIVE	12
H-CAPTIVE HDWR	H2	055634	NUT, 1/2" HEX	12
	H3	058883	WASHER, 1/2" FLAT	12
	L1	P801-3468	BRACKET, SA	3
	L2	P816-0658	BOLT, MOUNTING	3
	L3	055548	WASHER, 1/2" FLAT	6
	L4	055371	WASHER, 1/2" SPRING LOCK	12
L-SURGE ARRESTER BRACKETS	L5	055635	NUT, 1/2" HEX	12
	L6	055545	BOLT, 1/2" X 2" HEX	6
	P1	P816-0122	PIPE	1
	P2	E818-2008	GUIDE, ASSEMBLY	1
	P3	P816-0006	COUPLING	1
	P4	P001-1907	BOLT, RIBBED NECK, RD HD	2
P-EXTRA PIPE	P5	P001-1570	NUT, 3/8" LOCK	2
	S1	8705	BOLT, 1/2" X 5" W/SQ NUT	1
	S2	055548	WASHER, 1/2" FLAT	2
	S3	055371	WASHER, 1/2" SPRING LOCK	1
	S4	P816-0175	BRACE, CROSSARM STEEL	1
S-STEEL CROSSARM BRACE	T1	ATC1343	TERMINAL	6
	W1	8705	BOLT, 1/2" X 5" W/SQ NUT	1
	W2	055548	WASHER, 1/2" FLAT	2
	W3	055371	WASHER, 1/2" SPRING LOCK	1
W-WOOD CROSSARM BRACE	W4	P816-0194	BRACE, CROSSARM WOOD	1
	X1	C207-0112	LINKS, EXTENSION	6
	G1	SWL-025-B	TERMINAL, BRZ BOLTED CABLE	6
	G2	P815-0025	BOLT, 1/2" CAPTIVE	12
X-EXTENSION LINKS	G3	055634	NUT, 1/2" HEX	12
	G4	058883	WASHER, 1/2" FLAT	12
	Y1	PSP8181718	SINGLE POINT LIFT PLATE	1
	Y2	055548	WASHER, FLAT, 1/2"	4
G-TERMINAL CONNECTORS	Y3	055371	WASHER, LOCK, 1/2"	4
	Y4	055635	NUT, HEX, 1/2"	4
	Y5	P816-0658	BOLT, MOUNTING U	2
	Y6	P816-0726	SPACER, U BOLT	2
Y-SINGLE POINT LIFT				

POSITION 3 CONTROL				
	ITEM	PART NUMBER	DESCRIPTION	QUAN
S	1	P818-2002	GUIDE	2
	2	E818-2007	HANDLE, ASSEMBLY	1
	3	091697	STRAP, GROUND ASSEMBLY	1
	4	P816-0122	PIPE	3
	5	E818-2008	GUIDE, ASSEMBLY	2
	6	P816-0006	COUPLING	2
	7	P001-1907	BOLT, RIBBED NECK, RD HD	7
	8	P001-1570	LOCKNUT, 3/8" HEX	7
	9	P816-0721	BAND, POLE	2
	10	E816-0752	BOLT, J-HOOK ASSEMBLY	2
F	11	055635	NUT, 1/2" HEX	2
	12	055869	BOLT, 1/2" X 1-1/2" HEX	2
	13	055548	WASHER, 1/2" FLAT	3
	14	055371	WASHER, 1/2" LOCK	2
	15	P818-2041	COUPLING	1
	16	E818-2042	CONTROL, STEEL UNIVERSAL	1
	17	E818-2043	CONTROL, FIB UNIVERSAL	1
	18	E818-1606	LEVER, ASSEMBLY	1
	19	400177	CARR BOLT, 3/8" X 10"	2
	20	P001-0749	NUT, FLANGED 3/8"	4
H	21	055584	WASHER, 3/8" FLAT	4
	22	P001-1560	PIN	2
	23	PSZ0012039	COTTER PIN	2
	24	P818-1600	RDD, HORIZONTAL	1
	25	P816-0721	BAND, POLE	2
	26	E816-0752	BOLT, J-HOOK ASSEMBLY	2
	27	055635	NUT, 1/2" HEX	1
	28	055869	BOLT, 1/2" X 1-1/2" HEX	1
	29	055548	WASHER, 1/2" FLAT	2
	30	055371	WASHER, 1/2" LOCK	1
31	PSP8181661	BRACKET	1	
32	P001-1969	BOLT, 3/8" X 4-1/2"	1	
33	P001-1424	FLANGED LOCKNUT, 3/8" HEX	1	
34	P001-1607	NUT, 3/8" ACORN	1	
35	PSP8181701	ROLLER	3	
36	PSP8181659	SPACER	2	
37	PSP8181660	SPACER	1	
38	056497	BOLT, 3/8 X 1, HEX	2	
39	PSP8181700	SPRING LATCH	1	



OPTIONS "C" & "P" DO NOT APPLY WITH HOOKSTICK CONTROLS

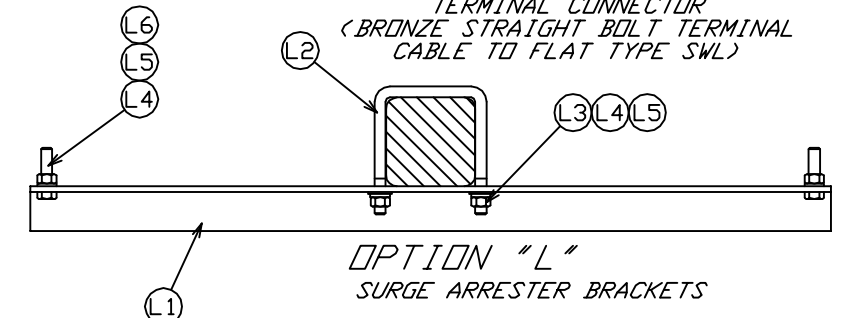
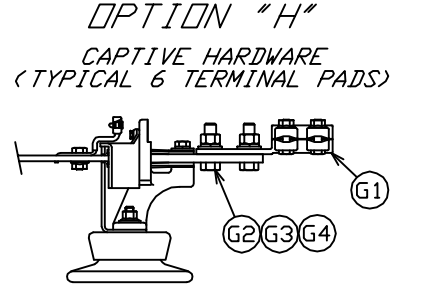
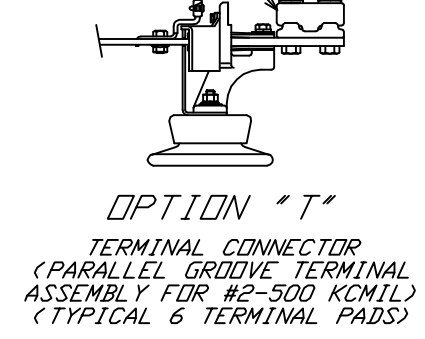
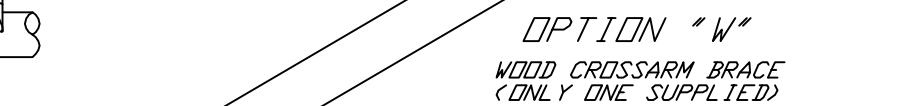
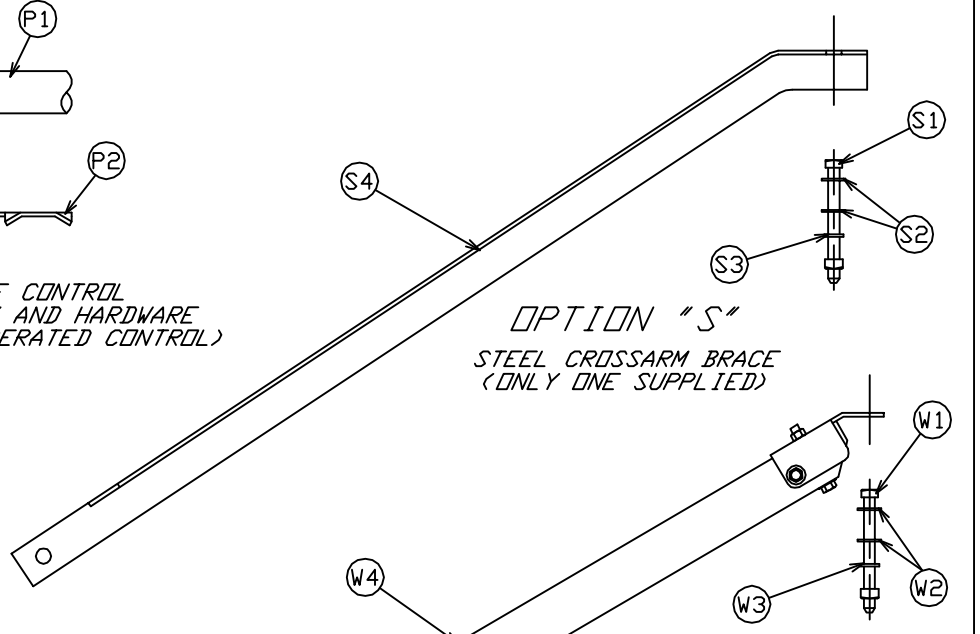
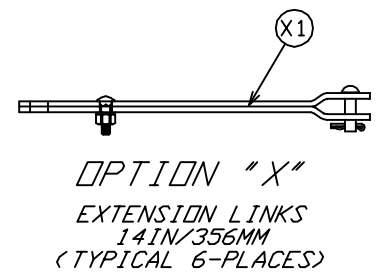
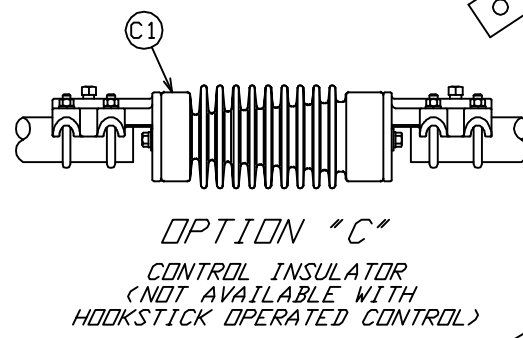
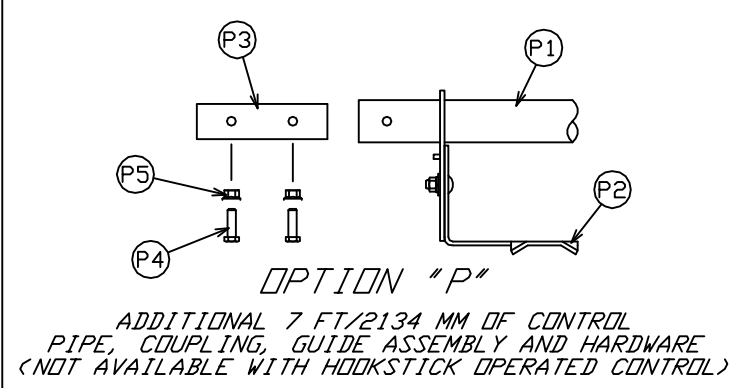
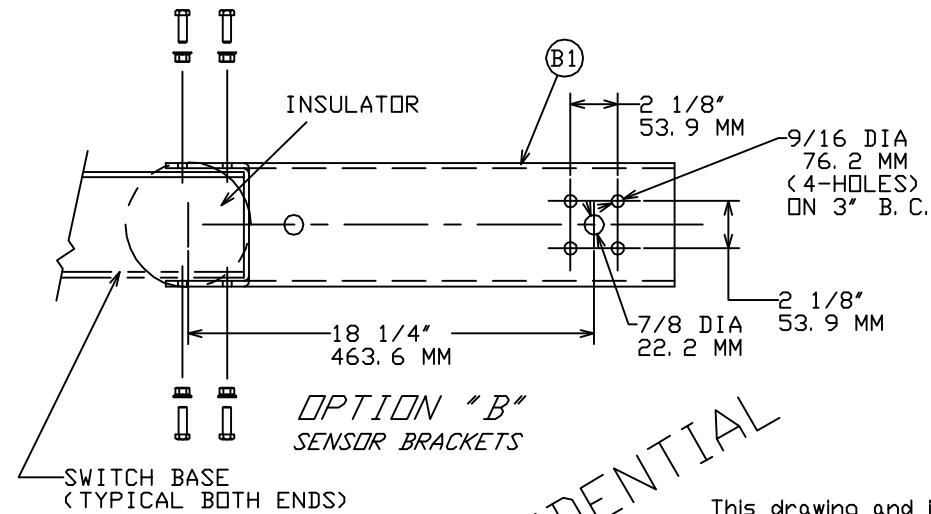
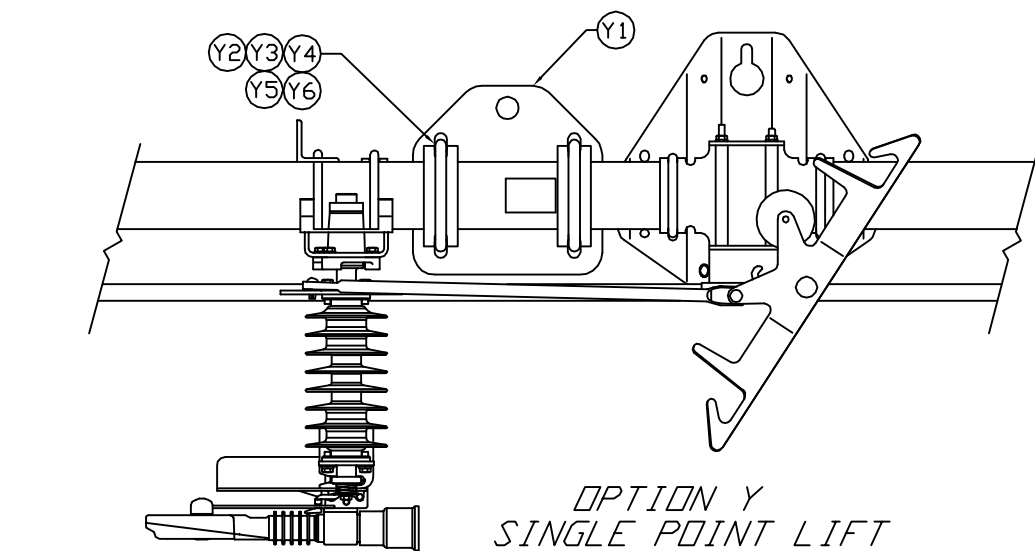
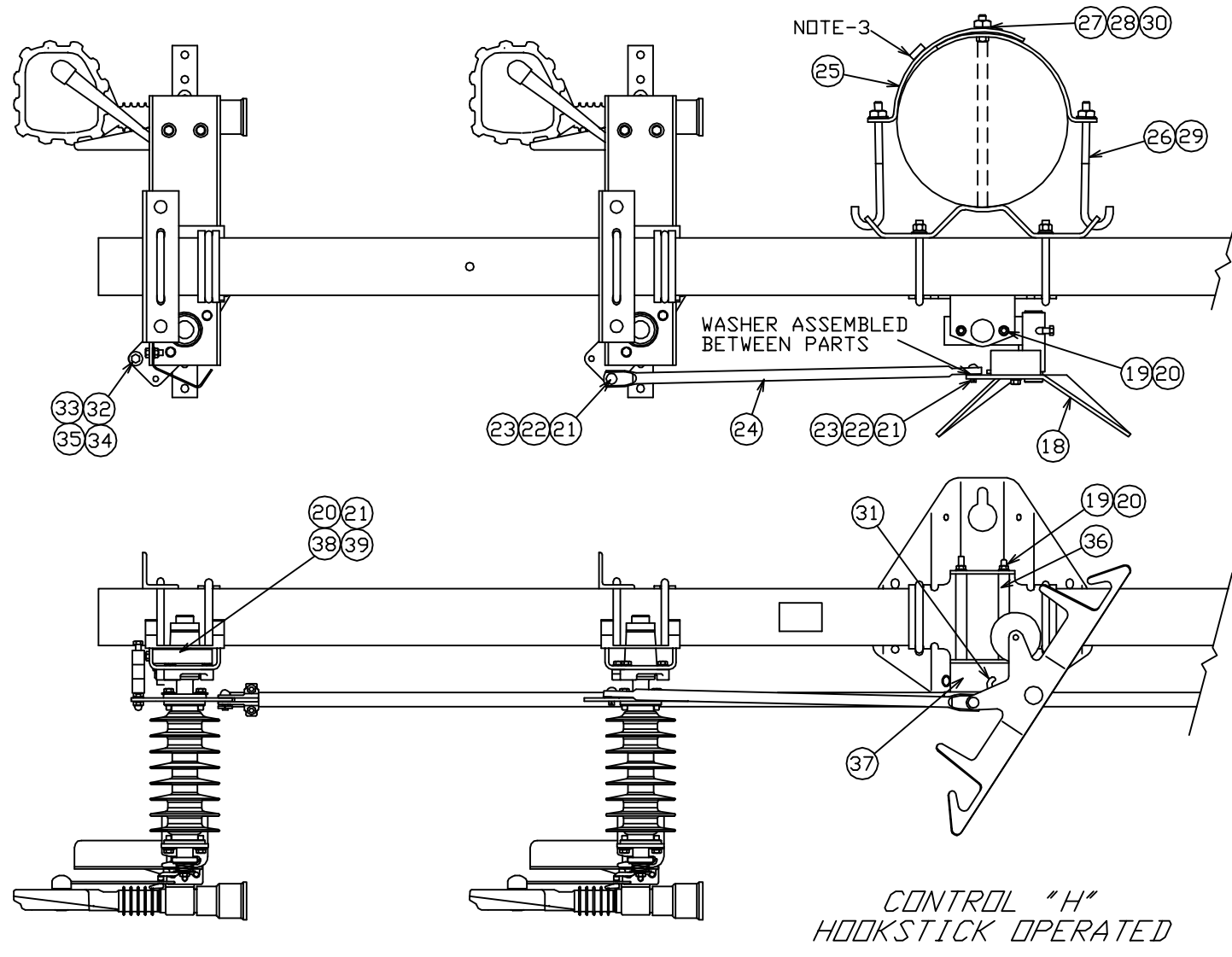
CONTROL "S" AND "F" SHOWN

NOTE: 28 FT/8.5 M OF PIPE SUPPLIED AS STANDARD WITH "S" OR "F" CONTROL. FOR ADDITIONAL PIPE SEE OPTION P

- INSTALLATION NOTES-**
1. READ INSTALLATION INSTRUCTIONS FURNISHED WITH EACH SWITCH.
 2. CONTROL SHOWN WITH SWITCH IN CLOSED POSITION.
 3. MOUNTING BOLTS AND LAG SCREWS SUPPLIED BY USER.
 4. GROUND CLAMP FOR #4 TO 4/0 CU. SUPPLIED WITH GROUND STRAP.
 5. CONTROL MAY BE 90° EITHER WAY AROUND POLE FROM SWITCH MOUNTING.
 6. LOCATION DETERMINED BY USER.
 7. OPERATING SHAFT MAY BE CUT OFF TO SHORTER LENGTHS AS DESIRED.
 8. DEADENDS STANDARD, EXTENSION LINKS ARE REQUIRED WHEN DEADENDING TO THIS SWITCH, MIN LENGTH 14 IN (356 MM).
 9. REFER TO SHEET TWO FOR HOOKSTICK APPLICATION AND OPTION ITEMS.
 10. IF CROSSARM BRACE IS USED, DRILL HOLE IN POLE AT DIMENSION SHOWN.

CONFIDENTIAL

CHANCE TOLERANCE CHART EC 49995	HUBBELL POWER SYSTEMS
CONFIDENTIAL: THIS DRAWING AND ITS CONTENTS ARE CONFIDENTIAL AND THE EXCLUSIVE PROPERTY OF HUBBELL POWER SYSTEMS. NO PUBLICATION, DISTRIBUTION OR COPIES MAY BE MADE WITHOUT THE WRITTEN CONSENT OF HUBBELL POWER SYSTEMS. HUBBELL POWER SYSTEMS UNPUBLISHED. ALL RIGHTS RESERVED UNDER THE COPYRIGHT LAWS.	DRAWING, AR, SWITCH CONTROL
SIZE DWG NO. D PSSAAR15	CAT / PART / ASSY NO. PSSAAR15
DO NOT SCALE THIS DRAWING	DRN BY ROBERTS DATE 08-29-05 SHEET 1 OF 2



CONFIDENTIAL

This drawing and its contents are for internal use by original recipient only and are not to be distributed outside original recipient's organization without prior written consent of Hubbell Power Systems, Inc.

CHANCE TOLERANCE CHART EC 49995	HUBBELL POWER SYSTEMS		
DRAWING, SWITCH CONTROL, AR			
SIZE DWG NO. D PSSAAR15	CAT / PART / ASSY NO. PSSAAR15	REV G	DO NOT SCALE THIS DRAWING
DRN BY ROBERTS DATE 08-29-05		SHEET 2 OF 2	