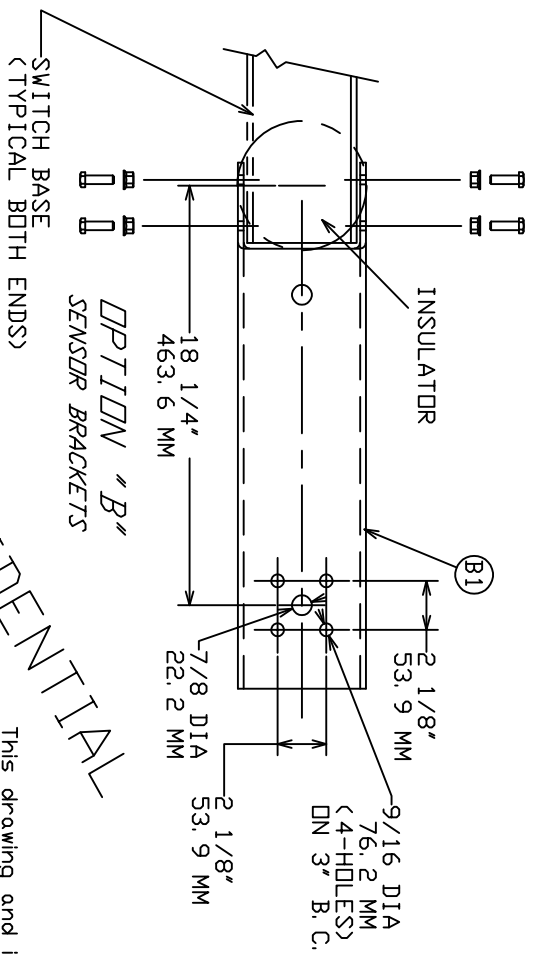
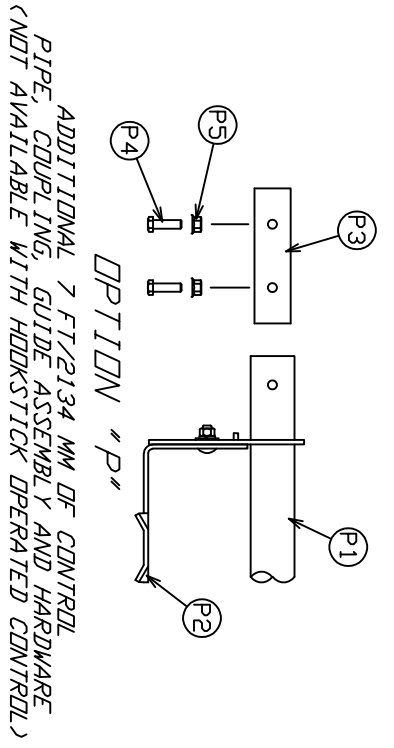


OPTION Y  
SINGLE POINT LIFT

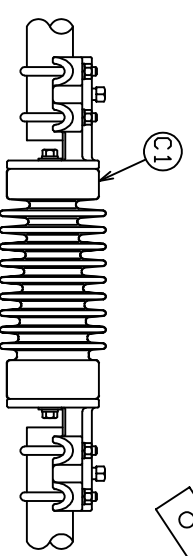


OPTION "B"  
SENSOR BRACKETS

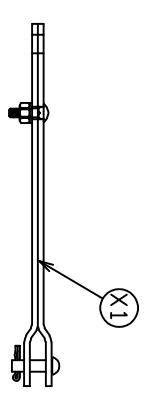
INSULATOR  
SWITCH BASE  
(TYPICAL BOTH ENDS)



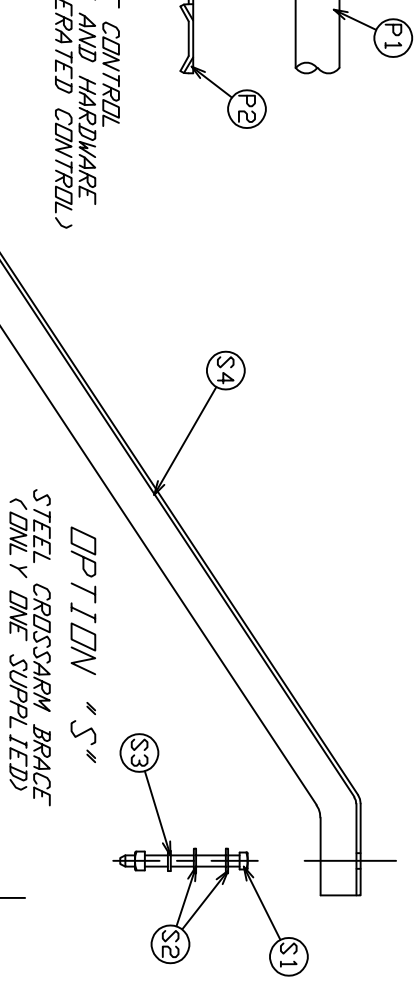
OPTION "P"  
ADDITIONAL 7 FT/2134 MM OF CONTROL PIPE COUPLING, GUIDE ASSEMBLY AND HARDWARE (NOT AVAILABLE WITH HOOKSTICK OPERATED CONTROL)



OPTION "C"  
CONTROL INSULATOR (NOT AVAILABLE WITH HOOKSTICK OPERATED CONTROL)



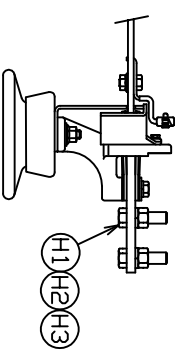
OPTION "X"  
EXTENSION LINKS 1/4 IN / 35.6 MM (TYPICAL 6-PLACES)



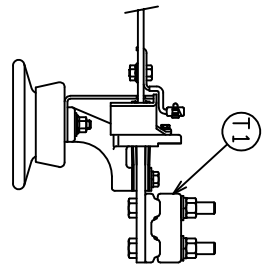
OPTION "S"  
STEEL CROSSARM BRACE (ONLY ONE SUPPLIED)



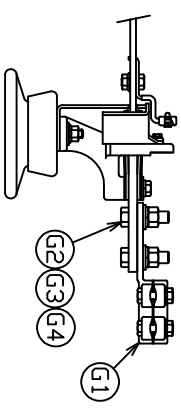
OPTION "W"  
WOOD CROSSARM BRACE (ONLY ONE SUPPLIED)



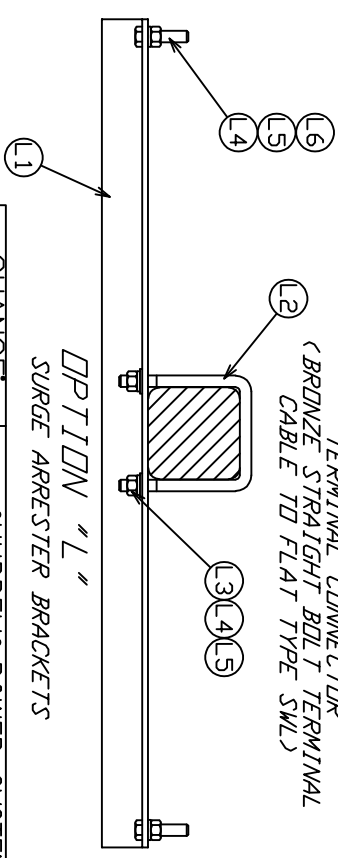
OPTION "H"  
CAPTIVE HARDWARE (TYPICAL 6 TERMINAL PADS)



OPTION "T"  
TERMINAL CONNECTOR (PARALLEL GROOVE TERMINAL ASSEMBLY FOR #2-500 KCMIL) (TYPICAL 6 TERMINAL PADS)



OPTION "G"  
TERMINAL CONNECTOR (BRONZE STRAIGHT BOLT TERMINAL CABLE TO FLAT TYPE SWL)



OPTION "L"  
SURGE ARRESTER BRACKETS

CONFIDENTIAL

This drawing and its contents are for internal use by original recipient only and are not to be distributed outside original recipient's organization without prior written consent of Hubbell Power Systems, Inc.

CHANCE TOLERANCE CHART EC 200713110446		HUBBELL POWER SYSTEMS	
DRAWING, SWITCH CONTROL, AR		DATE / PART / ASSY NO.	
SIZE	DWG NO.	DATE	PART / ASSY NO.
D	PSSARIS		PSSARIS
DATE	BY	DATE	BY
08-29-05	ROBERTS	08-29-05	ROBERTS
SHEET 2 OF 2			