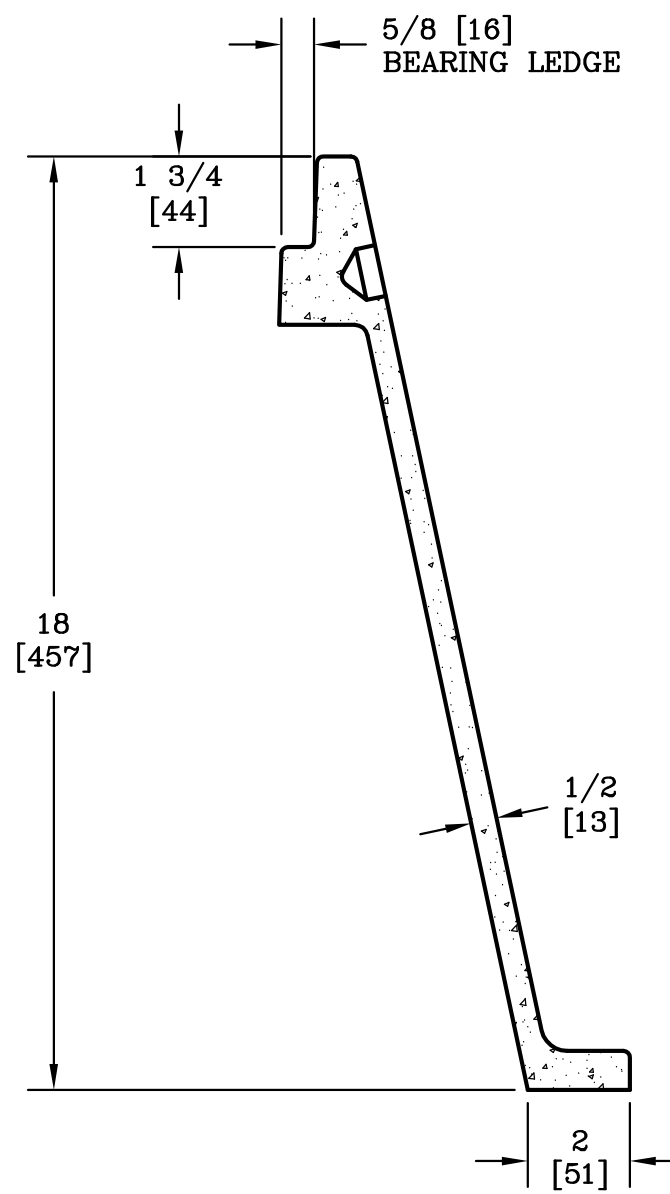
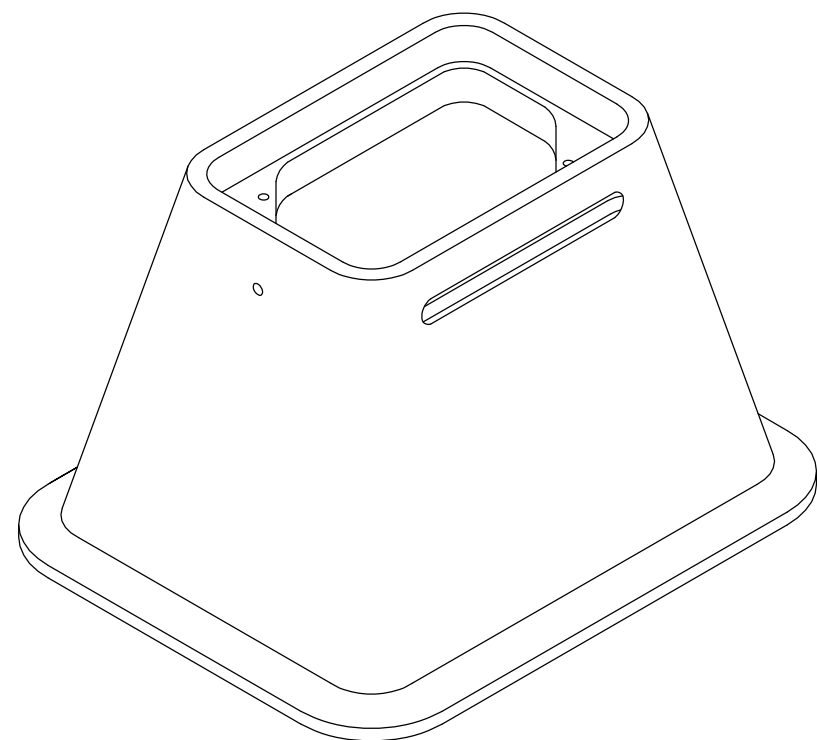
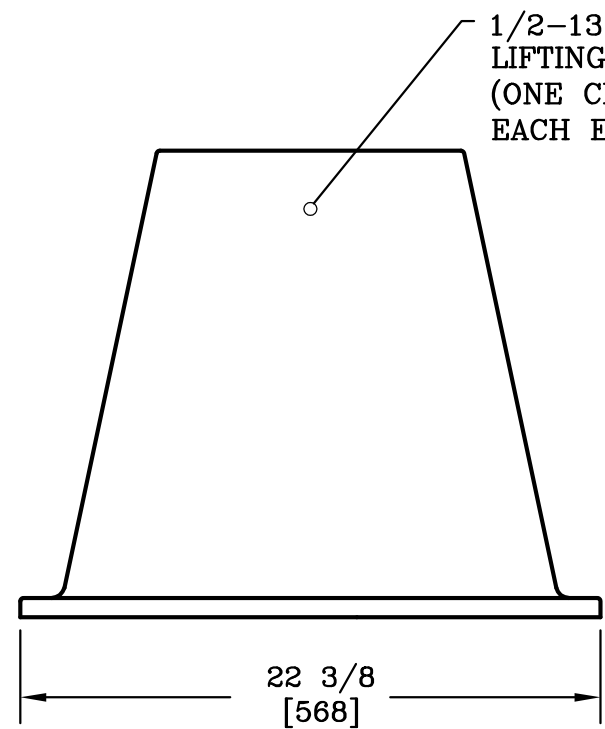
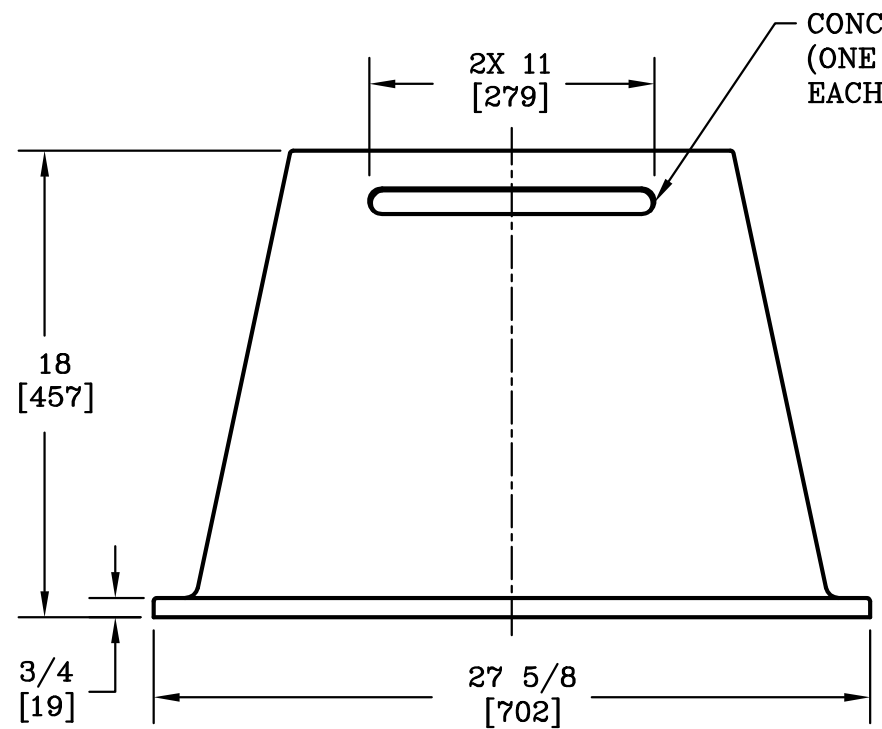


3/8-7 SELF ALIGNING,
REPLACEABLE EZ-NUT
(2 PLACES)




SECTION A-A
SCALE: 3"=1'



NOTE:

1. ALL DIMENSIONS IN BRACKETS ARE IN MILLIMETERS UNLESS NOTED OTHERWISE.

DIMENSIONS ARE IN INCHES OR MILLIMETERS IN BRACKETS UNLESS OTHERWISE NOTED.					
DRN	BY	DATE	WEIGHT	 3621 INDUSTRIAL PARK DR LENOIR CITY, TN 37771 800-346-3062 www.quazite.com	LOC
CHK			70# 32kg		S
ENG			SCALE	DRAWING DESCRIPTION	REV
APR			1 1/2"=1'		D
APR			SIZE		3/12
PROJECT NUMBER				QUAZITE® BOX	DRAWING NUMBER
01319					PT1015BA18
SHEET 1 OF 1					