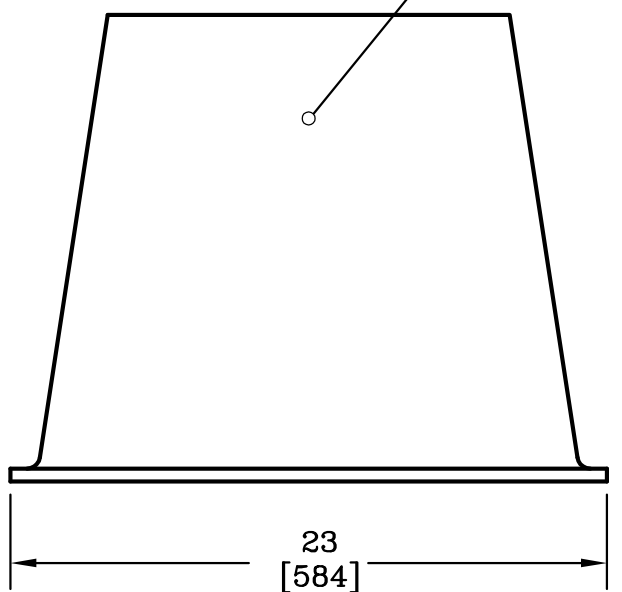
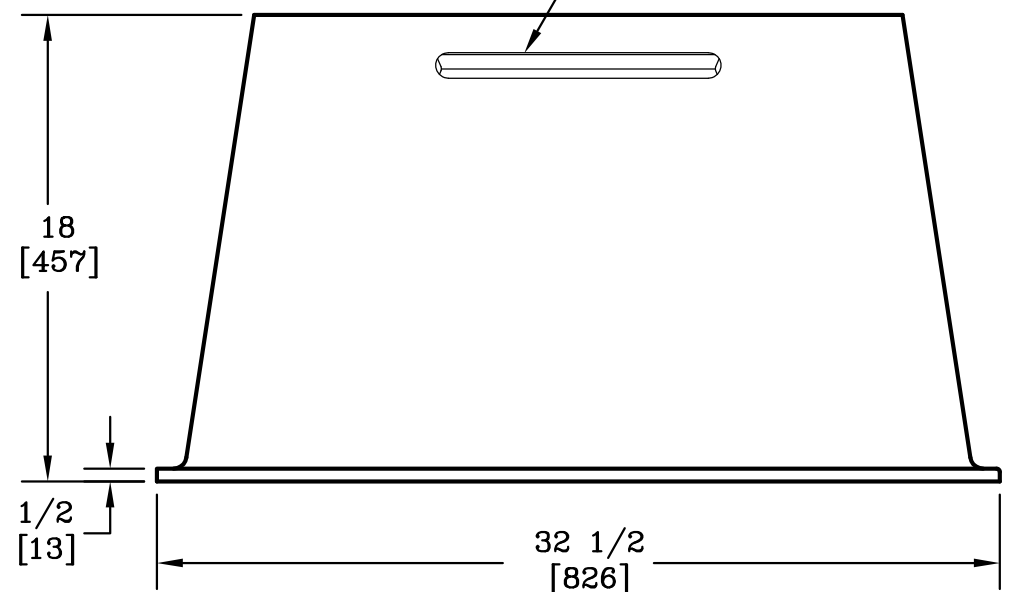


3/8-7 SELF ALIGNING,
REPLACEABLE S.S. EZ-NUT
2 PLACES

1/2-13 UNC
LIFTING INSERT
(ONE CENTERED
EACH END)

2X CONCRETE KEY
(1 EACH SIDE)



DIMENSIONS ARE IN INCHES OR MILLIMETERS IN BRACKETS UNLESS OTHERWISE NOTED.					
DRN	BY	DATE	WEIGHT	3621 INDUSTRIAL PARK DR LENOIR CITY, TN 37771 800-346-3062 www.quazite.com	LOC
			119# 54kg		S
CHK			SCALE	DRAWING DESCRIPTION QUAZITE® BOX	REV
ENG			1 1/2"=1'		L
APR			SIZE		3/12
APR			B		
PROJECT NUMBER			DRAWING NUMBER		
86203			PT1324BA18		
SHEET 1 OF 1					