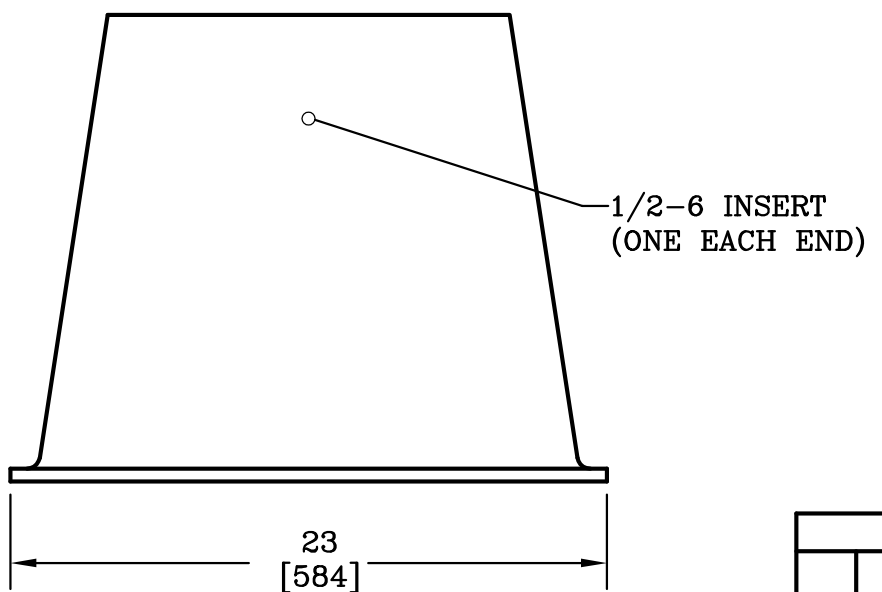
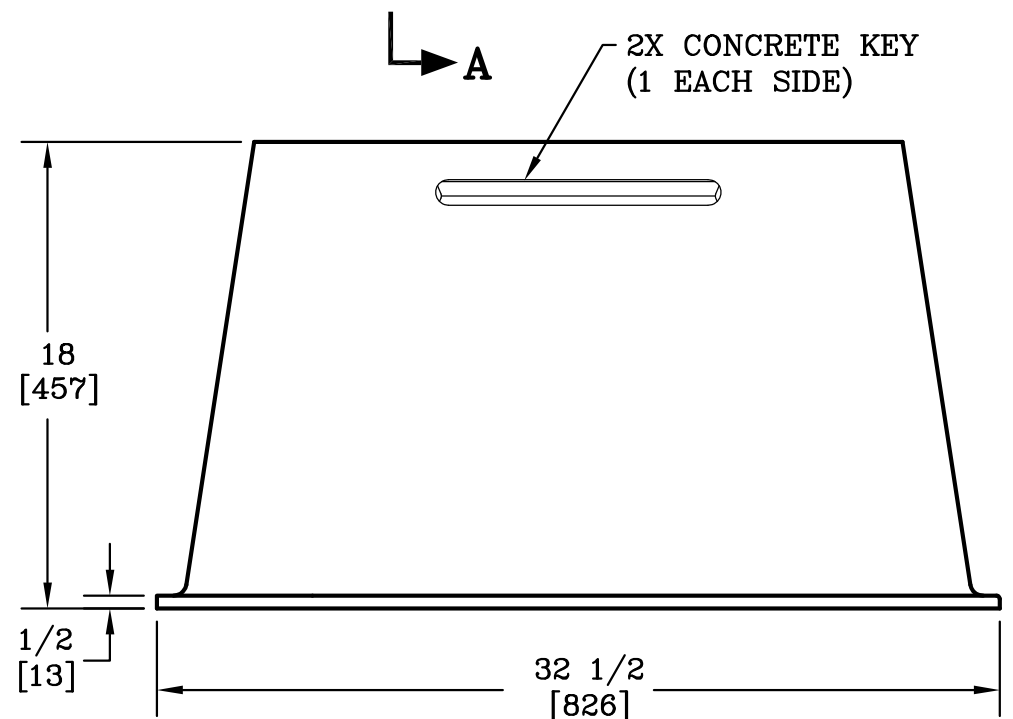


**SECTION A-A**

**NOTE:**

1. ALL DIMENSIONS IN BRACKETS ARE IN MILLIMETERS UNLESS NOTED OTHERWISE.



DIMENSIONS ARE IN INCHES OR MILLIMETERS IN BRACKETS UNLESS OTHERWISE NOTED.				3621 INDUSTRIAL PARK DR LENOIR CITY, TN 37771 800-346-3062 www.quazite.com	LOC	
DRN	BY	DATE	WEIGHT		DRAWING DESCRIPTION	S
CHK			119#	<b>QUAZITE® BOX</b>		REV
ENG			54kg			B
APR			SCALE			3/12
APR			1 1/2"=1'			
PROJECT NUMBER				SIZE	DRAWING NUMBER	
04622				B	PT1324BG18	
SHEET 1 OF 1						