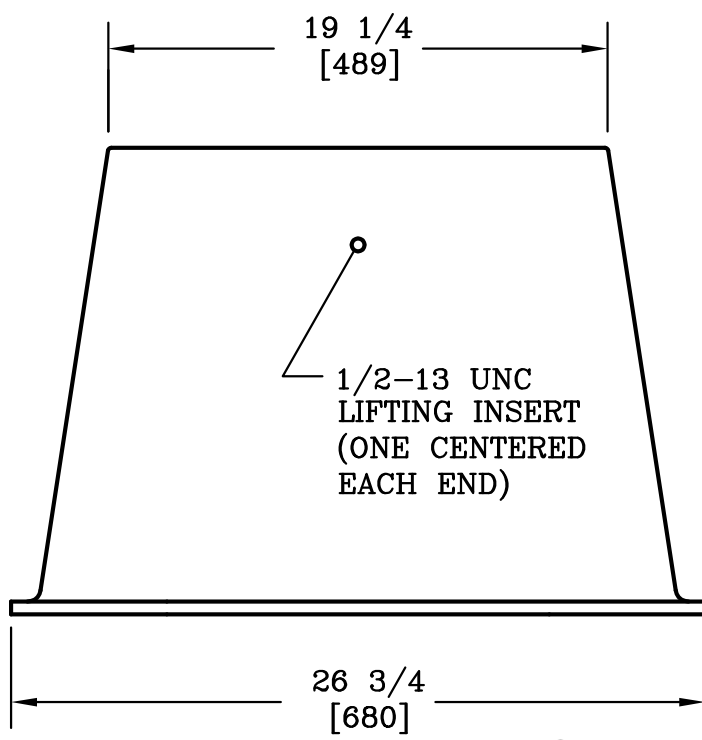
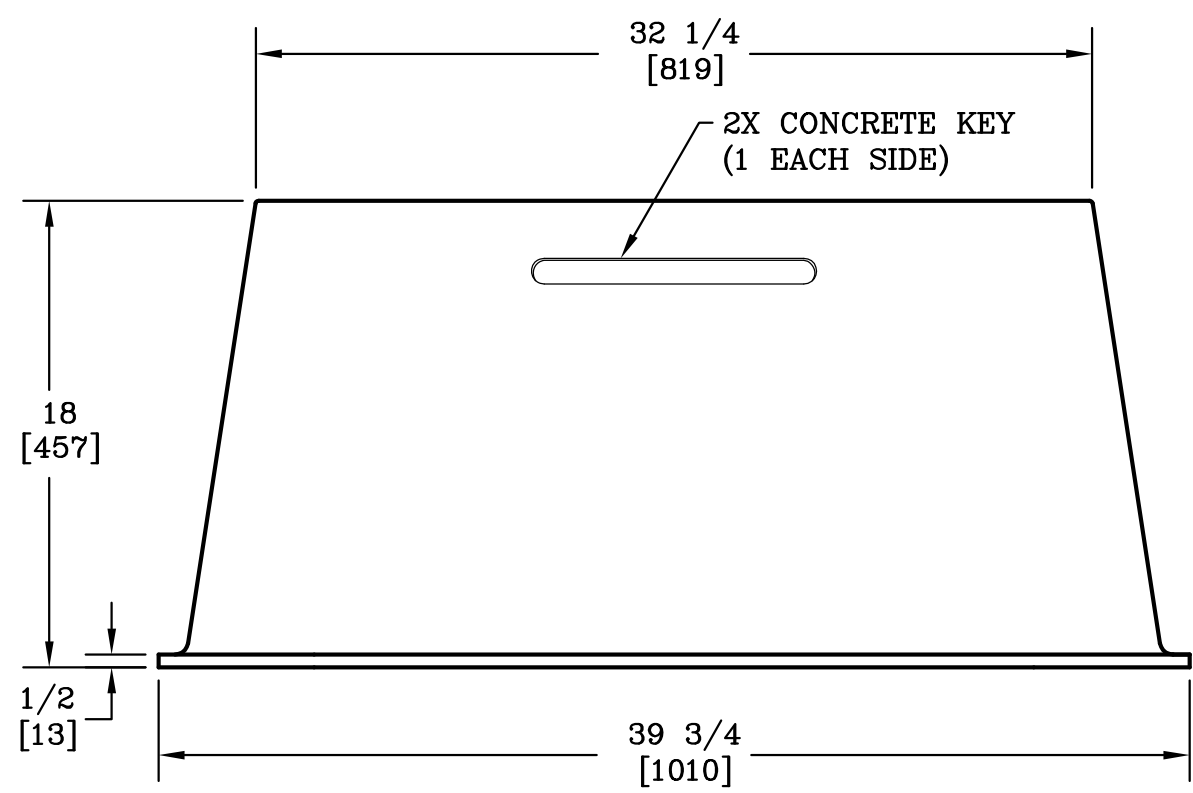
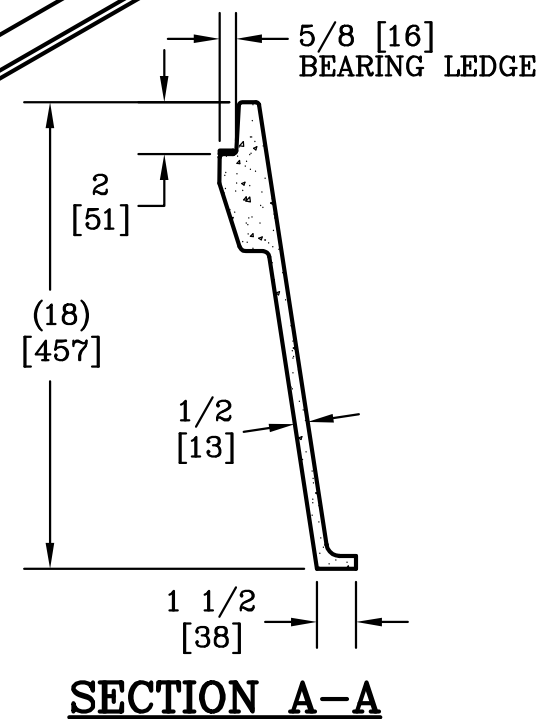
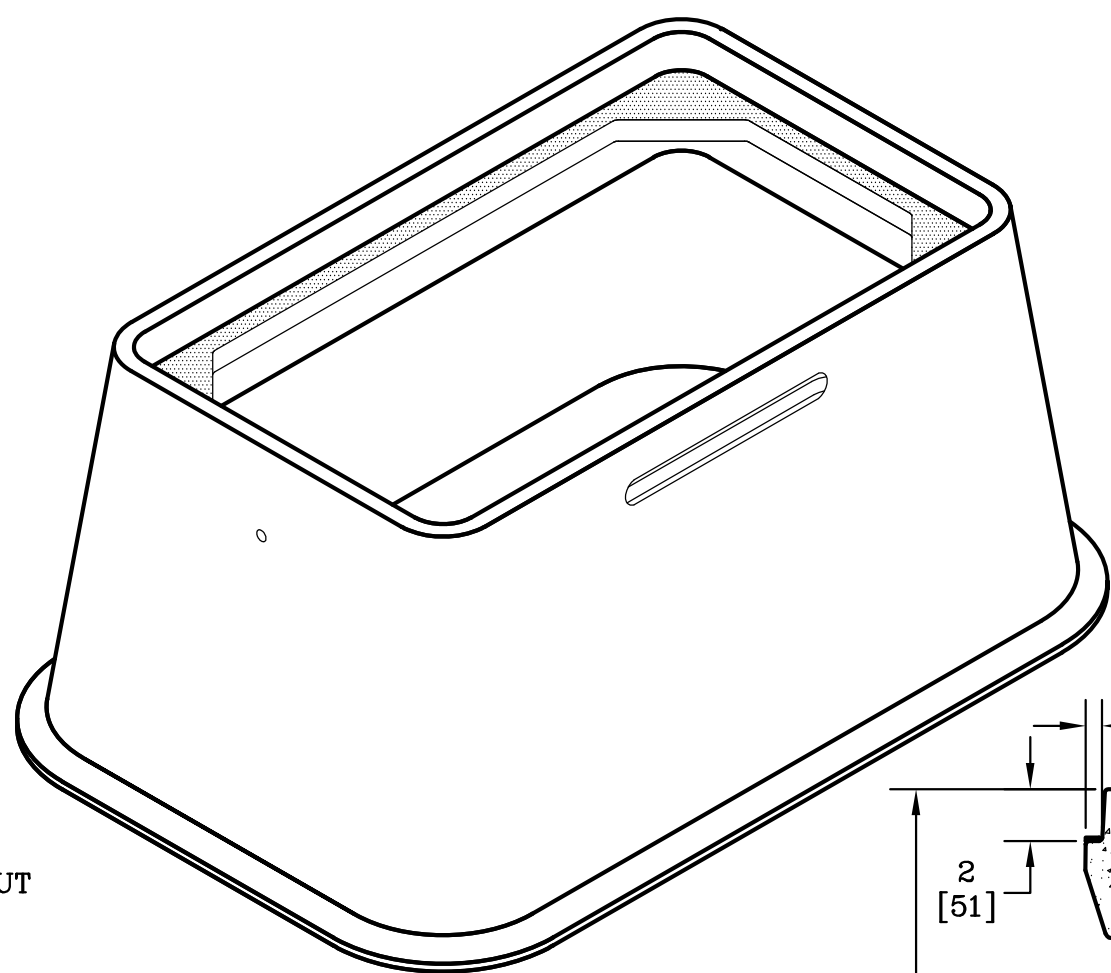


1/8 [3] NEOPRENE GASKET
 3/8-7 SELF ALIGNING, REPLACEABLE S.S. EZ-NUT 2 PLACES



NOTE:
 1. ALL DIMENSIONS IN BRACKETS ARE IN MILLIMETERS UNLESS NOTED OTHERWISE.



DIMENSIONS ARE IN INCHES OR MILLIMETERS IN BRACKETS UNLESS OTHERWISE NOTED.					
DRN	BY	DATE	WEIGHT	3621 INDUSTRIAL PARK DR LENOIR CITY, TN 37771 800-346-3062 www.quazite.com	LOC
CHK	ENG	SCALE	136# 62kg		S
APR	APR	SIZE	1 1/2"=1'	DRAWING DESCRIPTION	REV
APR	APR	B			C
PROJECT NUMBER				DRAWING NUMBER	
04628				PT1730BG18	
SHEET 1 OF 1					