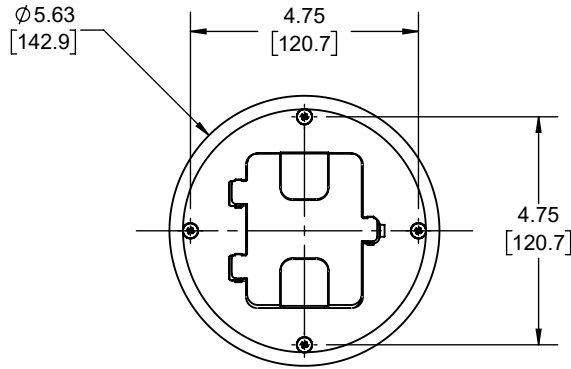
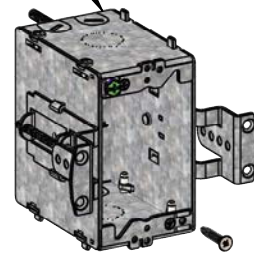


REVISIONS			
REV.	DATE	DESCRIPTION	BY
-	06-23-23	INITIAL RELEASE	JRM

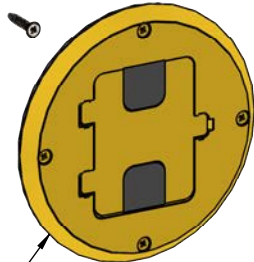


RECESSED SWITCH BOX ASSY (SEE SHEET 3)

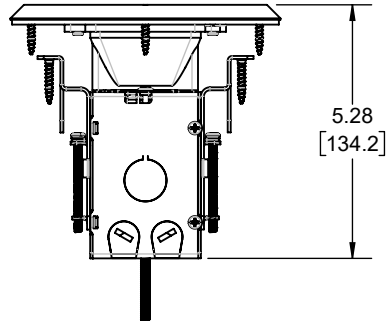
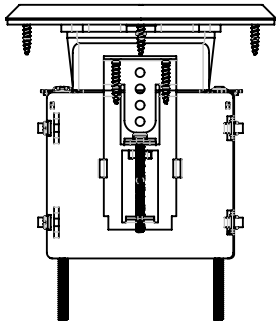


#8 x 1" WOOD SCREW

15A, 125V TAMPER RESISTANT RECEPTACLE



WOOD FLOOR DUPLEX FLOORBOX (SEE SHEET 2)



DESCRIPTION	MATERIAL	FINISH
RECEPTACLE	VARIOUS	-
FASTENERS	STEEL	GALVANIZED

LIST OF PARTS

THE DESIGN AND DIMENSIONS OF THE PRODUCT SHOWN ON THIS DRAWING ARE SUBJECT TO CHANGE WITHOUT NOTICE

TITLE:  
**FLOOR BOX KIT, WOOD RESIDENTIAL, 15A, BLACK**

TOLERANCE UNLESS OTHERWISE SPECIFIED

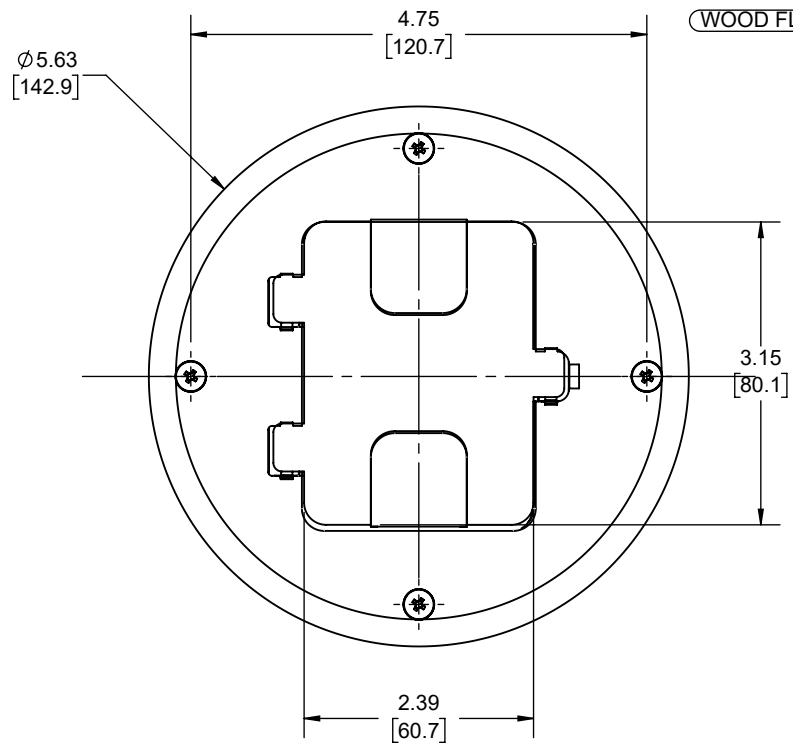
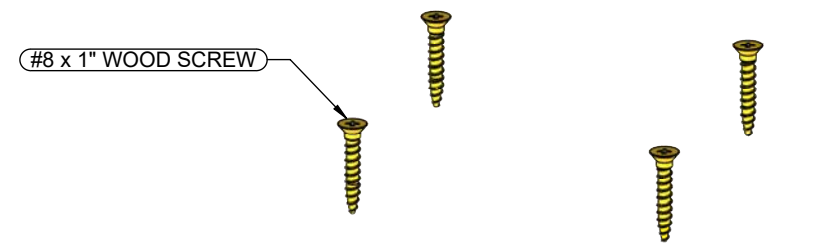
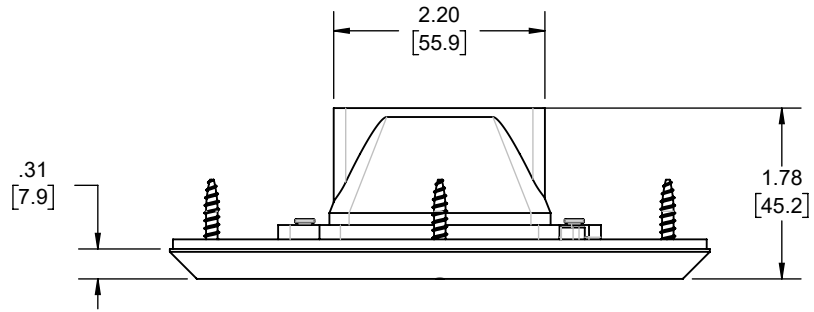


.XX DECIMAL ± .015  
.XXX DECIMAL ± .005  
ANGLE ± 2°

DRAWN BY:	JRM	SCALE:	SIZE:
APP. BY:	N.S.	1:4	A
DATE:	06-21-23		

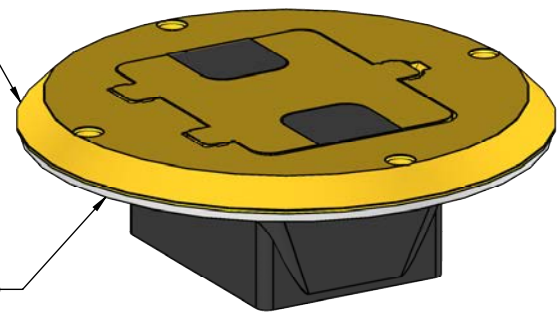
- NOTES:  
1. ALL DIMENSIONS ARE IN INCHES AND [MILLIMETERS]  
2. UL LISTED

REVISIONS			
REV.	DATE	DESCRIPTION	BY
-	06-23-23	INITIAL RELEASE	JRM



WOOD FLOOR DUPLEX FLOORBOX

GASKET



DESCRIPTION	MATERIAL	FINISH
FASTENERS	STEEL	GALVANIZED
GASKET	CC FOAM	BLACK
FLOORBOX COVER	ALUM	BLACK PAINT

**LIST OF PARTS**

THE DESIGN AND DIMENSIONS OF THE PRODUCT SHOWN ON THIS DRAWING ARE SUBJECT TO CHANGE WITHOUT NOTICE

TITLE:  
**FLOOR BOX KIT, WOOD RESIDENTIAL, 15A, BLACK**

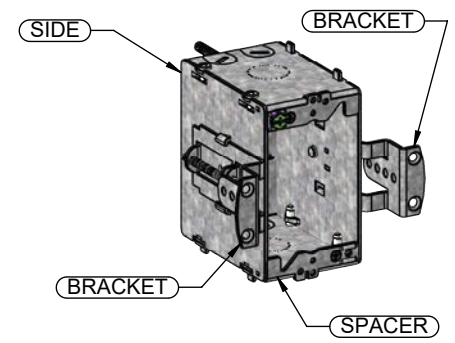
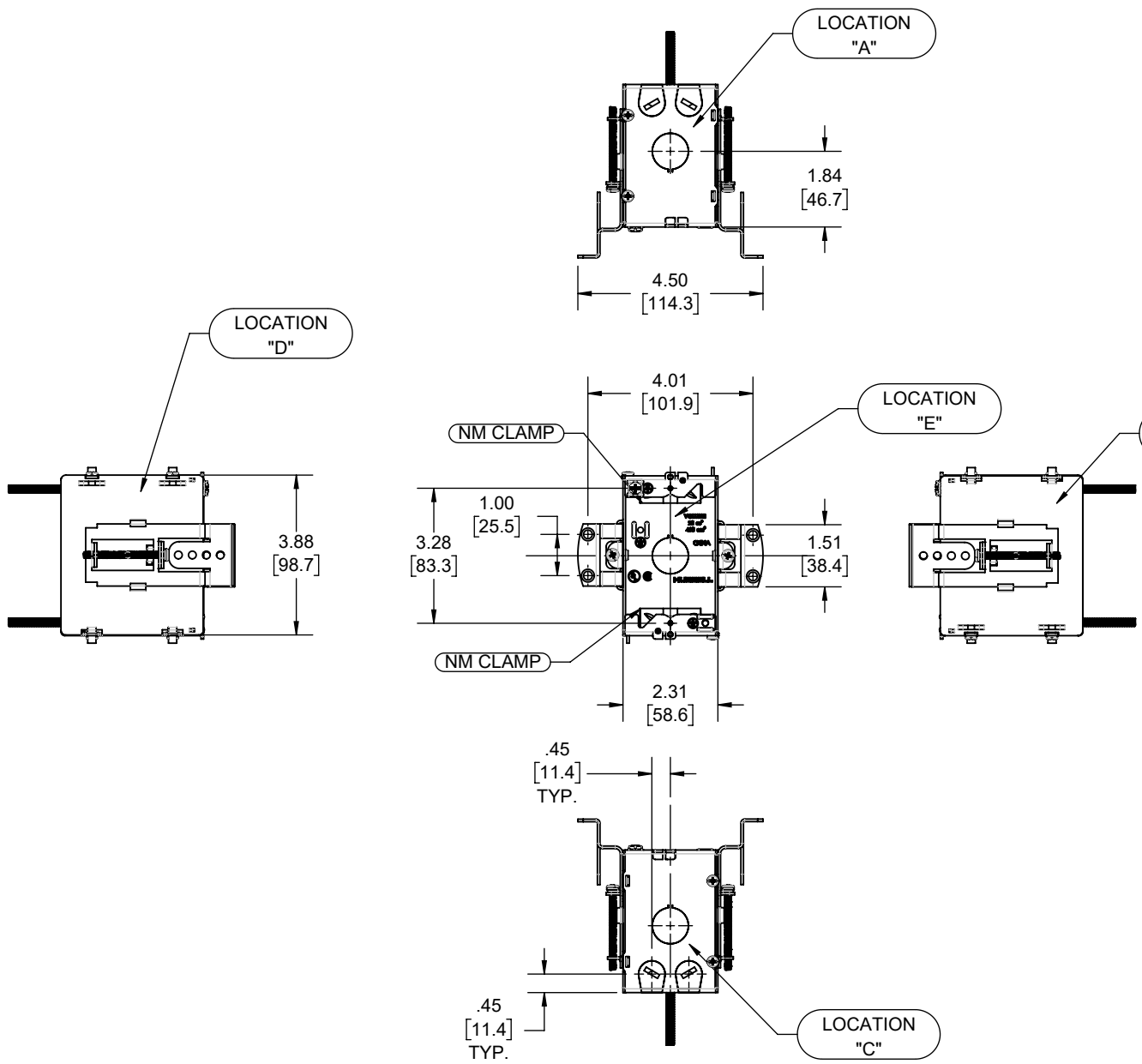
TOLERANCE UNLESS OTHERWISE SPECIFIED  
.XX DECIMAL ± .015  
.XXX DECIMAL ± .005  
ANGLE ± 2°



DRAWN BY:	JRM	SCALE:	SIZE:
APP. BY:	N.S.	1:4	A
DATE:	06-21-23		

NOTES:  
1. ALL DIMENSIONS ARE IN INCHES AND [MILLIMETERS]

REVISIONS			
REV.	DATE	DESCRIPTION	BY
-	06-23-23	INITIAL RELEASE	JRM



DESCRIPTION	MATERIAL	FINISH
BRACKETS	STEEL	GALVANIZED
FASTENERS	STEEL	GALVANIZED
CLAMPS	STEEL	GALVANIZED
SIDE	STEEL	GALVANIZED
SPACER	STEEL	GALVANIZED

**LIST OF PARTS**

THE DESIGN AND DIMENSIONS OF THE PRODUCT SHOWN ON THIS DRAWING ARE SUBJECT TO CHANGE WITHOUT NOTICE

TITLE:  
**FLOOR BOX KIT, WOOD RESIDENTIAL, 15A, BLACK**

TOLERANCE UNLESS OTHERWISE SPECIFIED  
.XX DECIMAL ± .015  
.XXX DECIMAL ± .005  
ANGLE ± 2°

<b>TayMac</b>	DRAWN BY: JRM	SCALE: 1:4
	APP. BY: N.S.	
	DATE: 06-21-23	

KNOCKOUTS		
TRADE SIZE	LOCATION	QTY.
1/2" KO	A, C, E	1
PRIOUTS	A, C	2

- NOTES:
- ALL DIMENSIONS ARE IN INCHES AND [MILLIMETERS]
  - BOX VOLUME: 28.0 IN<sup>3</sup> [460 CM<sup>3</sup>]
  - UL LISTED