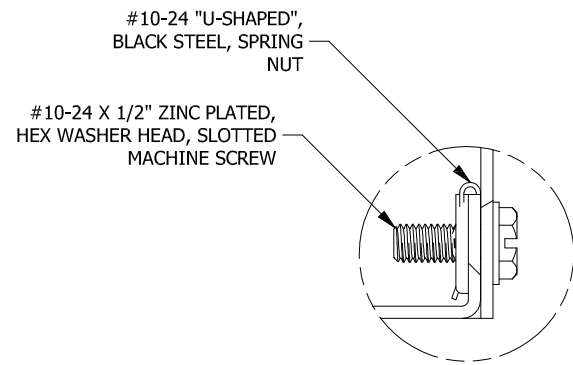
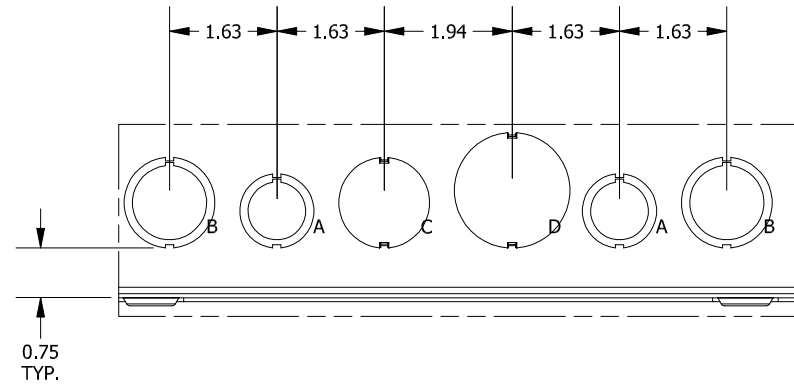


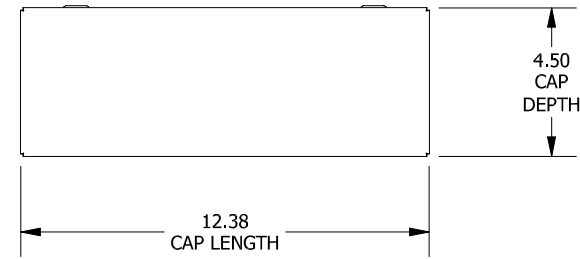
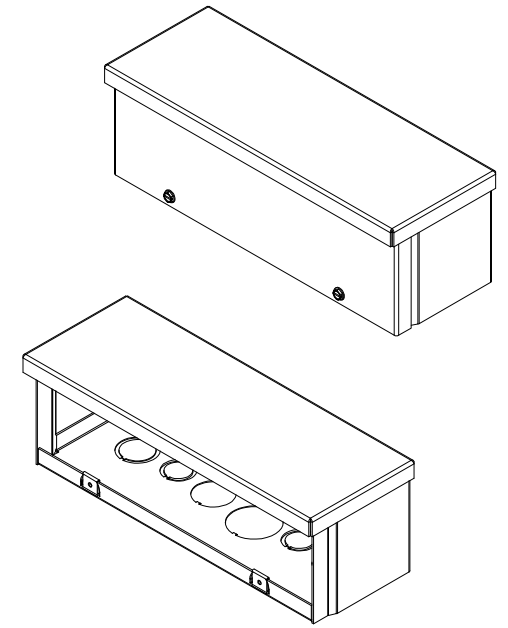
| KNOCKOUT SIZE TABLE | |
|---------------------|------------------------------|
| SIZE | DESCRIPTION |
| A | 1/2" TO 3/4" CONCENTRIC K.O. |
| B | 3/4" TO 1" CONCENTRIC K.O. |
| C | 1" SOLID K.O. |
| D | 1-1/4" SOLID K.O. |



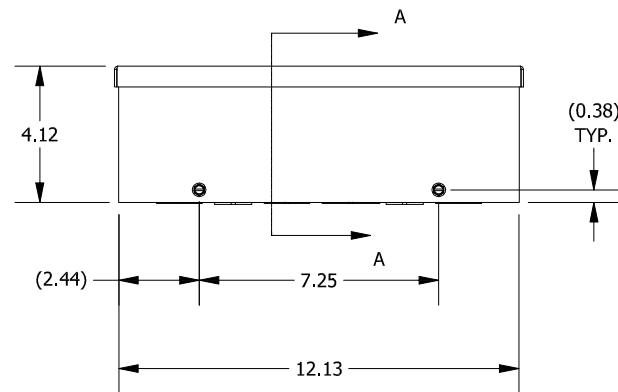
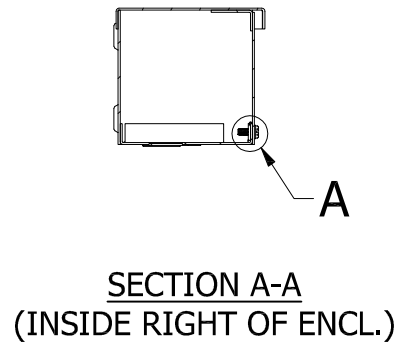
DETAIL A (2 PL.)
(LID ATTACHMENT DETAIL)



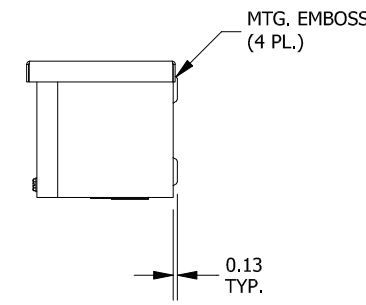
DETAIL B
(K.O. PATTERN)



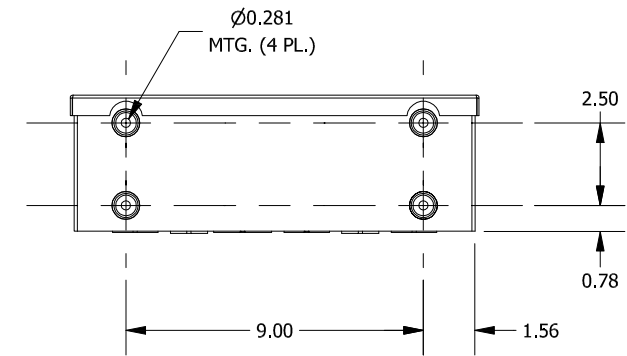
TOP VIEW



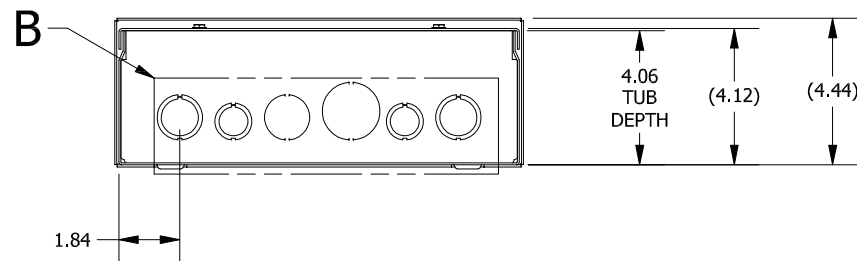
FRONT VIEW



RIGHT SIDE VIEW



BACK VIEW



BOTTOM VIEW

PART#: RSCG040412G
(DATA SUBJECT TO CHANGE WITHOUT NOTICE)

THIS DRAWING IS PROPERTY OF HUBBELL INC. WIEGMANN
ALL INFORMATION IS PROPRIETARY AND NOT TO BE DUPLICATED