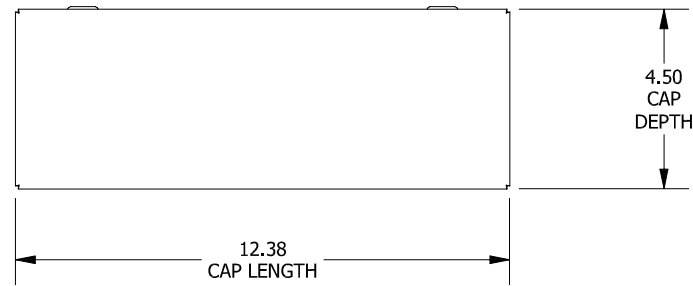
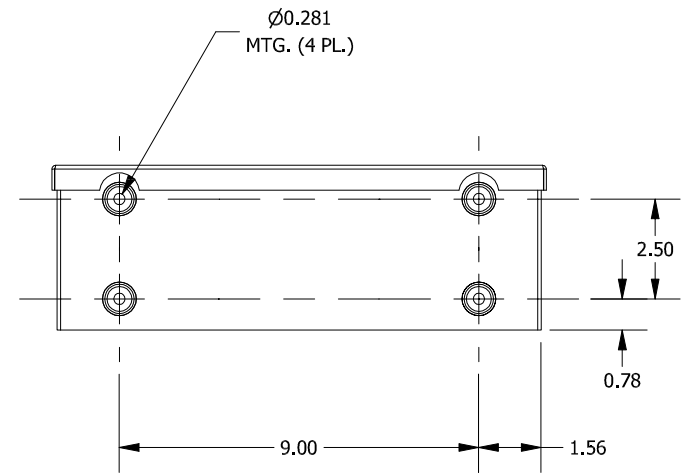
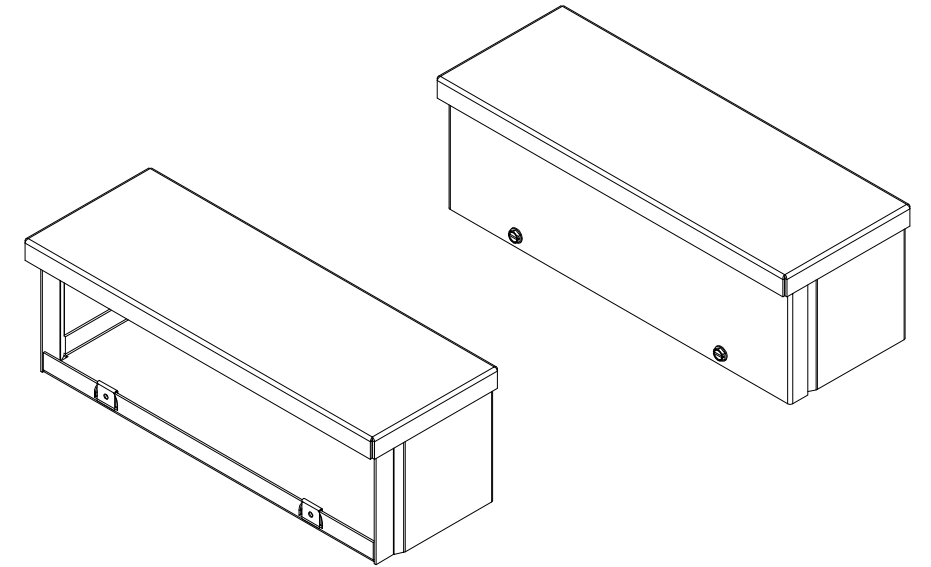


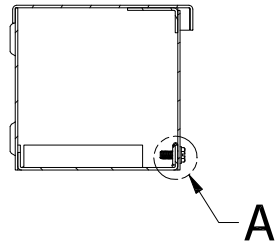
**DETAIL A (2 PL.)  
(LID ATTACHMENT DETAIL)**



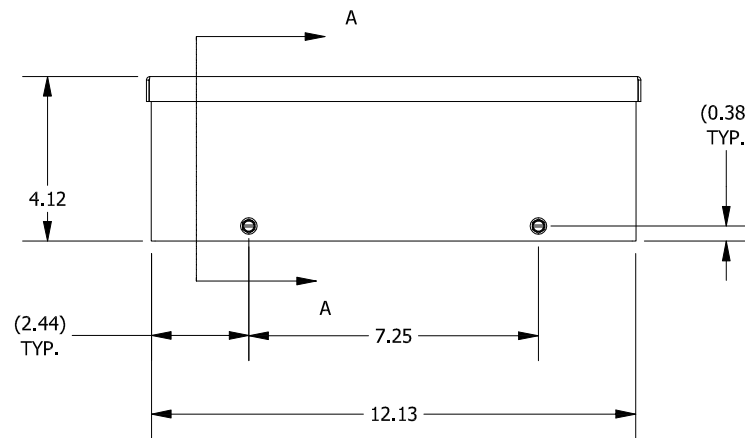
**TOP VIEW**



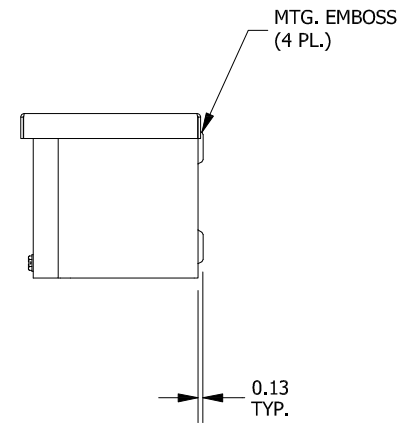
**BACK VIEW**



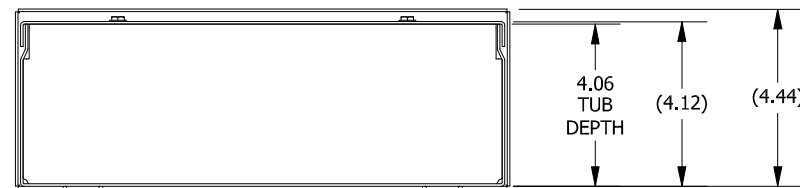
**SECTION A-A  
(INSIDE RIGHT OF ENCL.)**



**FRONT VIEW**



**RIGHT SIDE VIEW**



**BOTTOM VIEW**

PART#: RSC G040412NK  
(DATA SUBJECT TO CHANGE WITHOUT NOTICE)

THIS DRAWING IS PROPERTY OF HUBBELL INC. WIEGMANN  
ALL INFORMATION IS PROPRIETARY AND NOT TO BE DUPLICATED