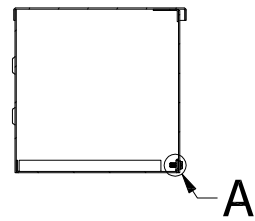
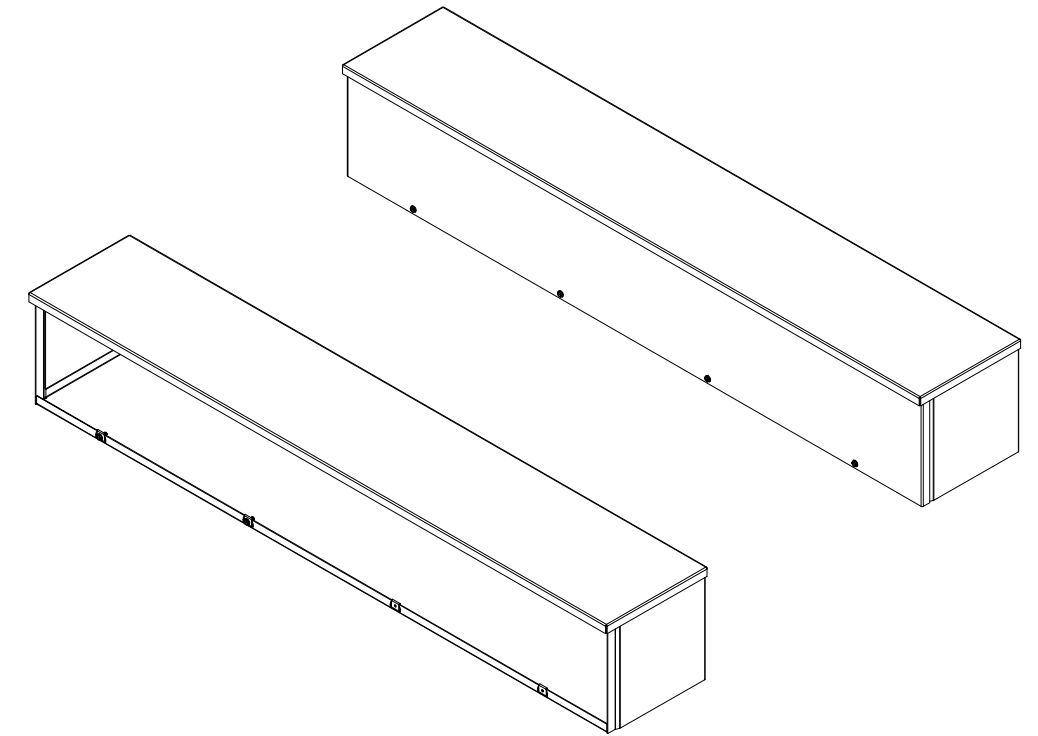
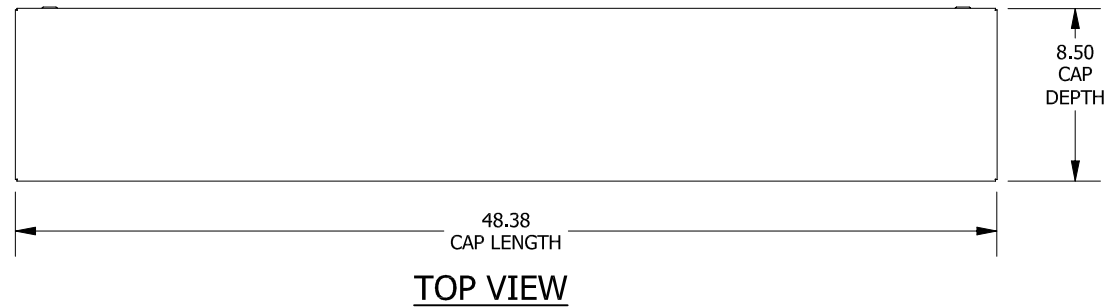
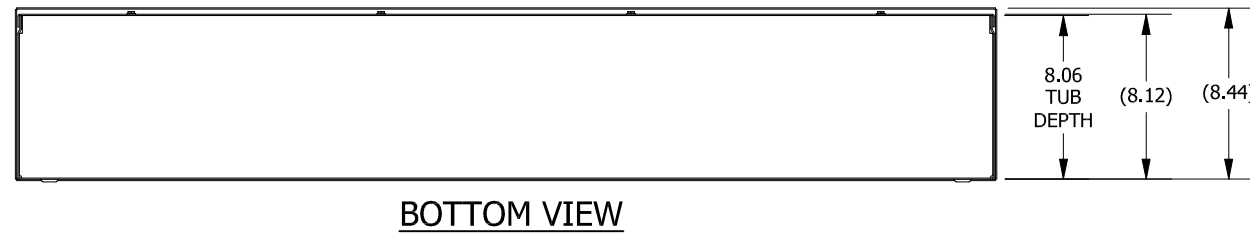
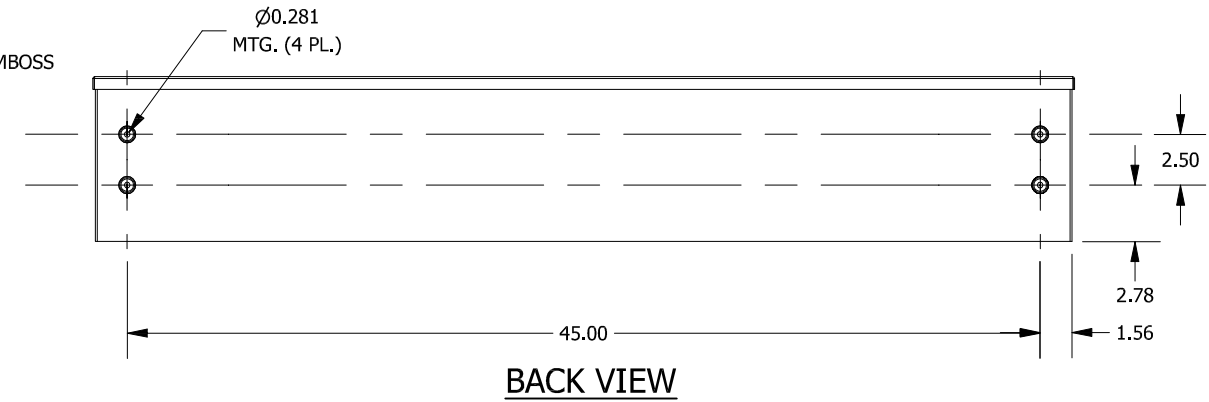
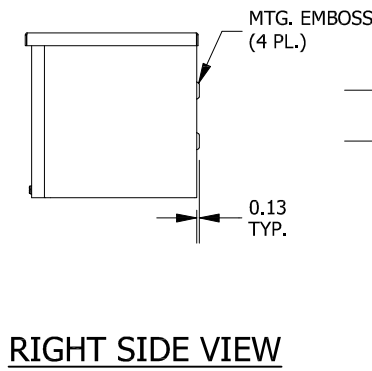
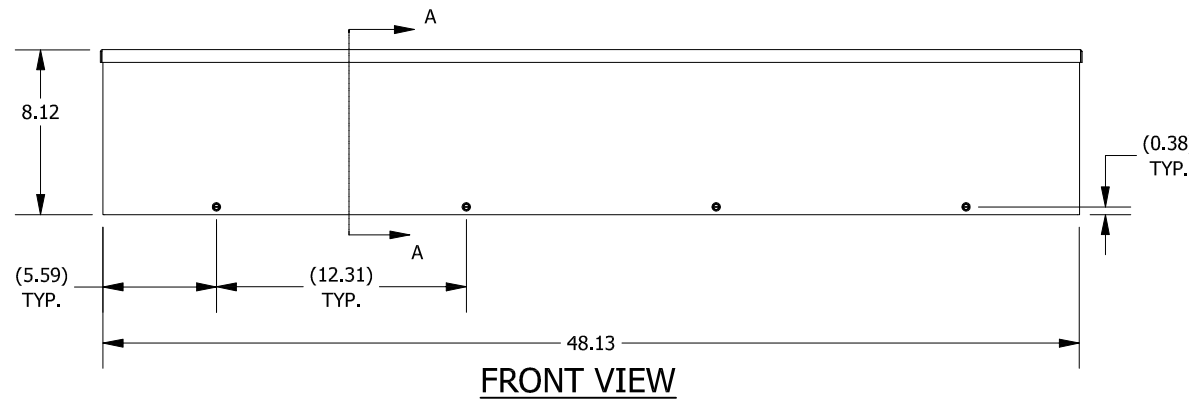


DETAIL A (4 PL.)
(LID ATTACHMENT DETAIL)



SECTION A-A
(INSIDE RIGHT OF ENCL.)



PART#: RSCG080848GNK
(DATA SUBJECT TO CHANGE WITHOUT NOTICE)

THIS DRAWING IS PROPERTY OF HUBBELL INC. WIEGMANN
ALL INFORMATION IS PROPRIETARY AND NOT TO BE DUPLICATED