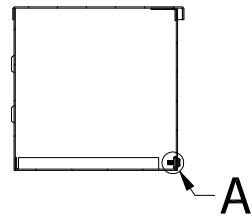
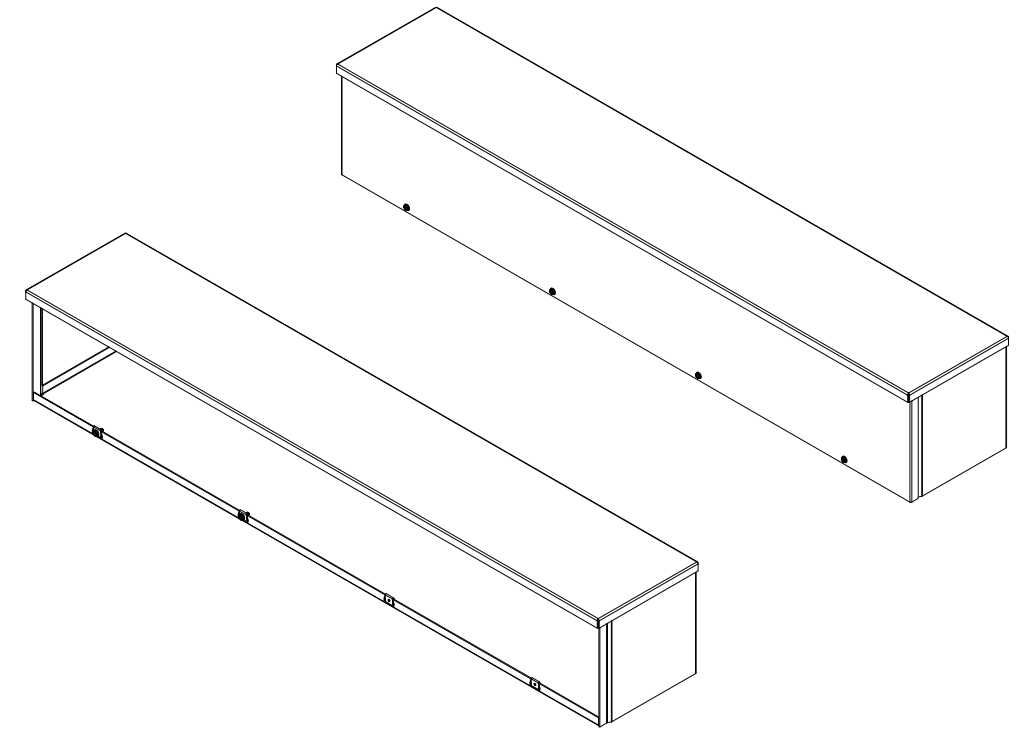
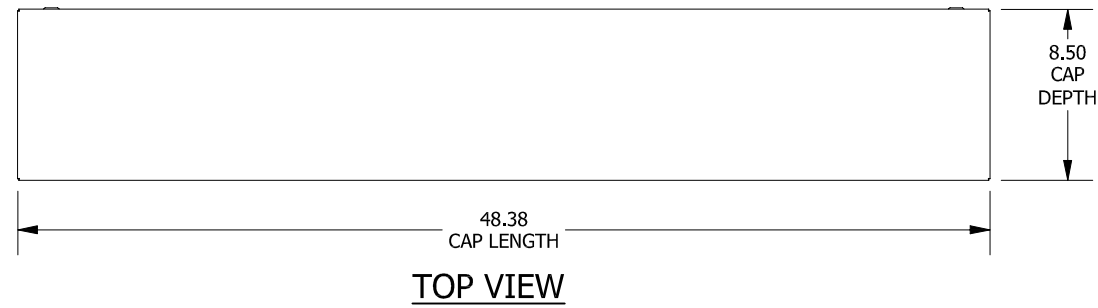
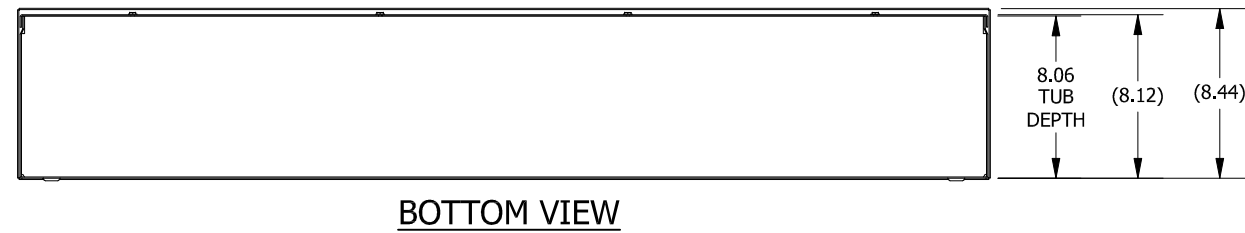
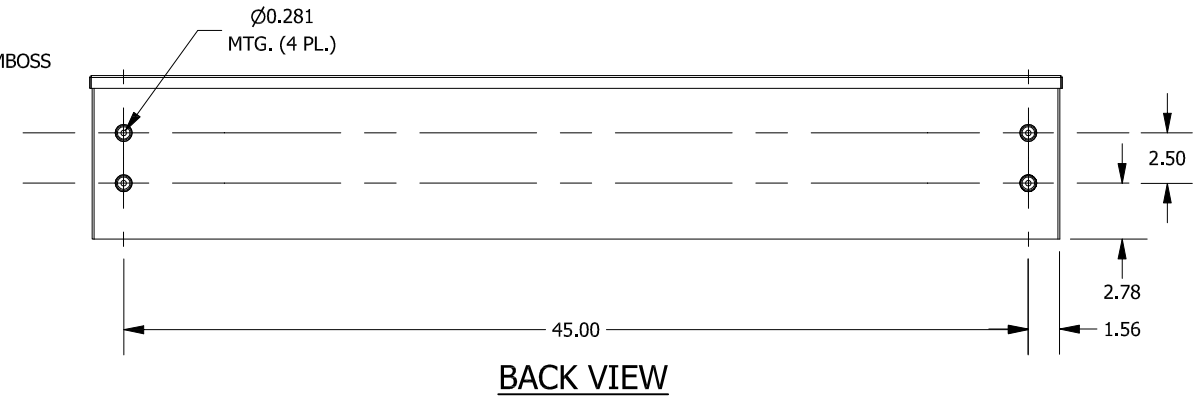
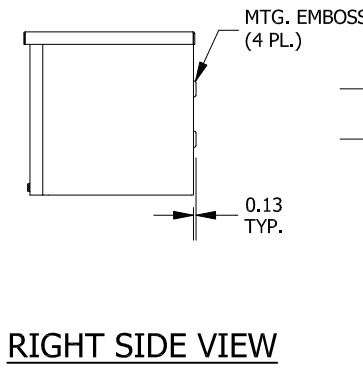
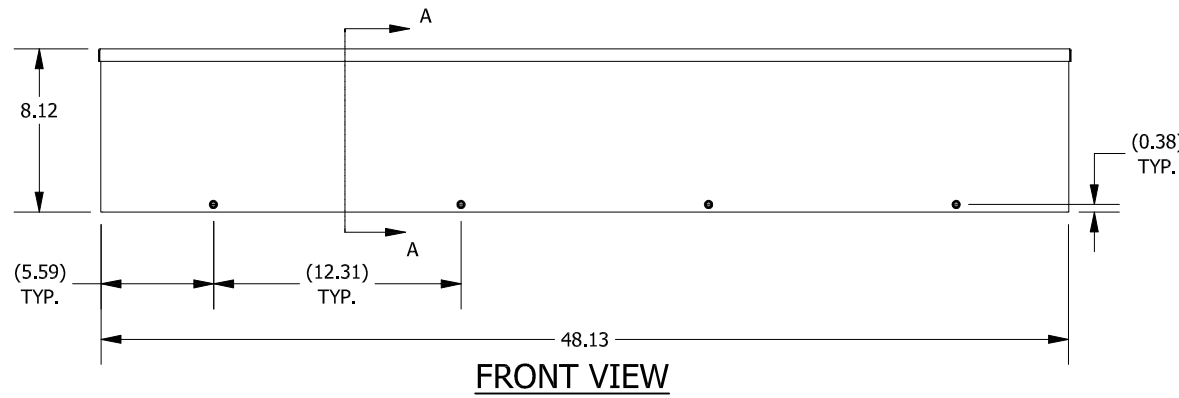


**DETAIL A (4 PL.)**  
(LID ATTACHMENT DETAIL)



**SECTION A-A**  
(INSIDE RIGHT OF ENCL.)



PART#: RSCG080848NK  
(DATA SUBJECT TO CHANGE WITHOUT NOTICE)

THIS DRAWING IS PROPERTY OF HUBBELL INC. WIEGMANN  
ALL INFORMATION IS PROPRIETARY AND NOT TO BE DUPLICATED