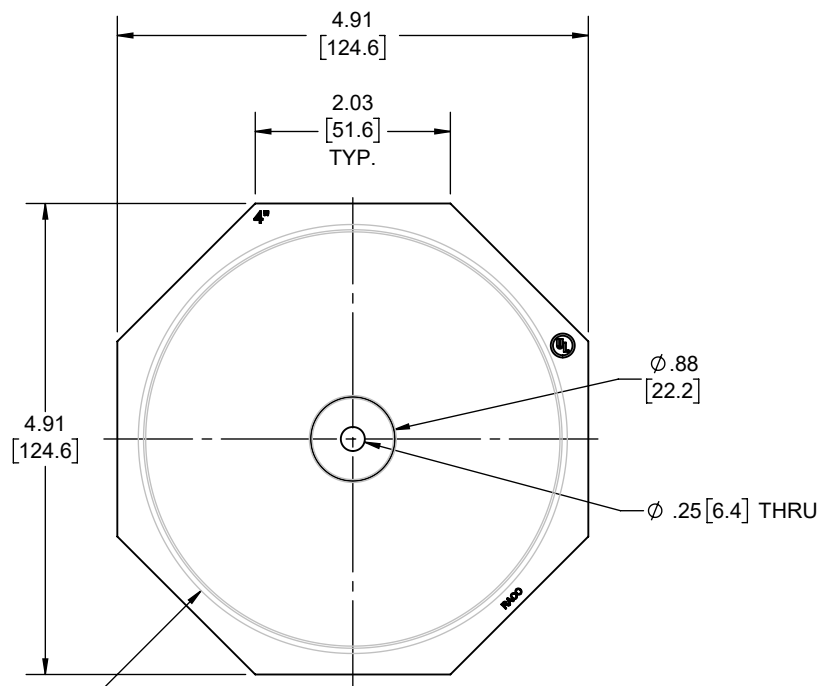
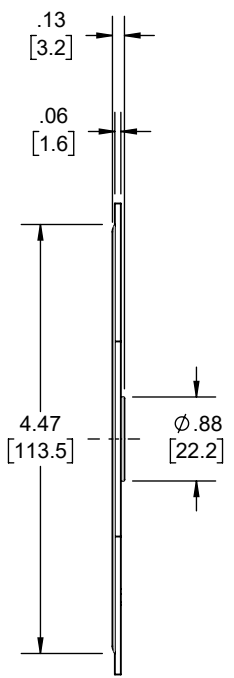


REVISIONS			
REV.	DATE	DESCRIPTION	BY
-	05-06-24	INITIAL RELEASE	RMV

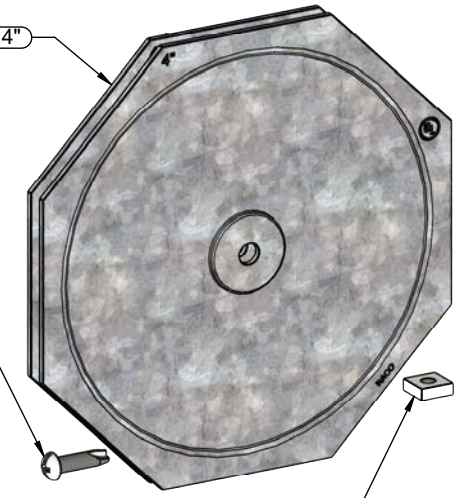
FILE NO.:
1041 CUS



2X KNOCKOUT REDUCING SEAL, 4"

#10-32 x 5/8" SELF-TAPPING SCREW

#10-32 SQ. MACHINE SCREW NUT



DESCRIPTION	MATERIAL	FINISH
FASTENERS	STEEL	GALVANIZED
REDUCING SEAL	STEEL	GALVANIZED

LIST OF PARTS

THE DESIGN AND DIMENSIONS OF THE PRODUCT SHOWN ON THIS DRAWING ARE SUBJECT TO CHANGE WITHOUT NOTICE

TITLE:
KNOCKOUT SEAL, 4", 2PC STEEL

TOLERANCE UNLESS OTHERWISE SPECIFIED



.XX DECIMAL ± .015
.XXX DECIMAL ± .005
ANGLE ± 2°

DRAWN BY:	RMV	SCALE:	SIZE:
APP. BY:	N.S.	1:2	A
DATE:	05-06-24		

- NOTES:
- ALL DIMENSIONS ARE IN INCHES AND [MILLIMETERS]
 - UL LISTED

DIMENSION SHEET FOR CAT. NO.
1041

8.5in*1in