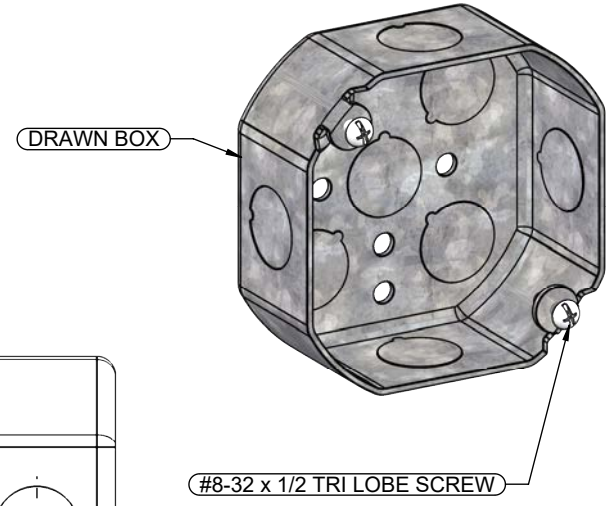
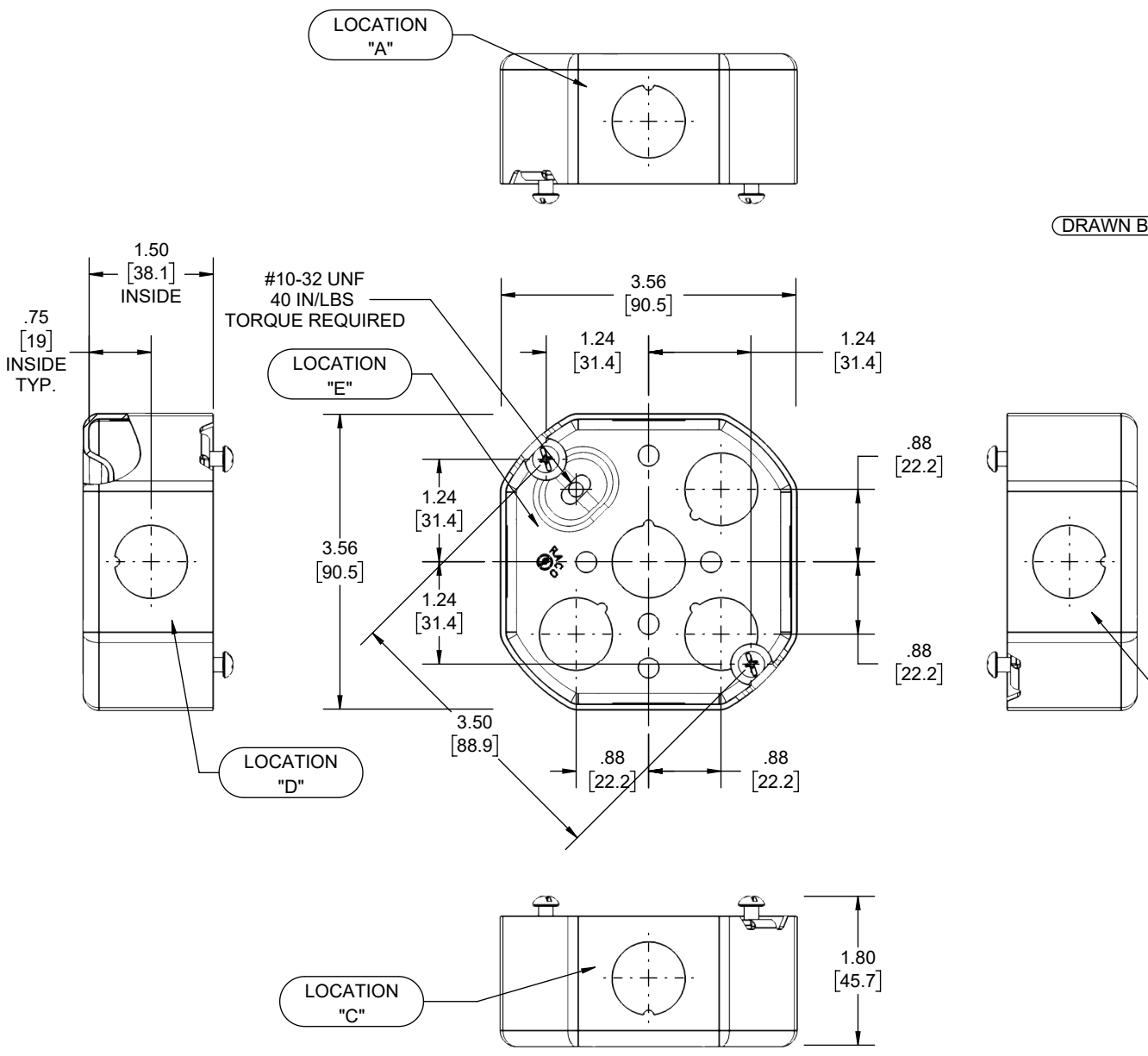


REVISIONS			
REV.	DATE	DESCRIPTION	BY
-	11-22-22	INITIAL RELEASE	RMV



DESCRIPTION	MATERIAL	FINISH
FASTENERS	STEEL	GALVANIZED
DRAWN BOX	STEEL	GALVANIZED

LIST OF PARTS
 THE DESIGN AND DIMENSIONS OF THE PRODUCT SHOWN ON THIS DRAWING ARE SUBJECT TO CHANGE WITHOUT NOTICE

TITLE:
4" OCT BOX 1.5" DEEP W/ .5" KO'S

KNOCKOUTS		
TRADE SIZE	LOCATION	QTY.
1/2" KO	E	4
1/2" KO	A, B, C, D	1

TOLERANCE UNLESS OTHERWISE SPECIFIED
 .XX DECIMAL ± .015
 .XXX DECIMAL ± .005
 ANGLE ± 2°

DRAWN BY:	RMV	SCALE:	SIZE:
APP. BY:	N.S.		
DATE:	11-22-22	1:2	A

- NOTES:
 1. ALL DIMENSIONS ARE IN INCHES AND [MILLIMETERS]
 2. VOLUME: 15.5 IN³ [254.0 CM³]
 3. UL LISTED