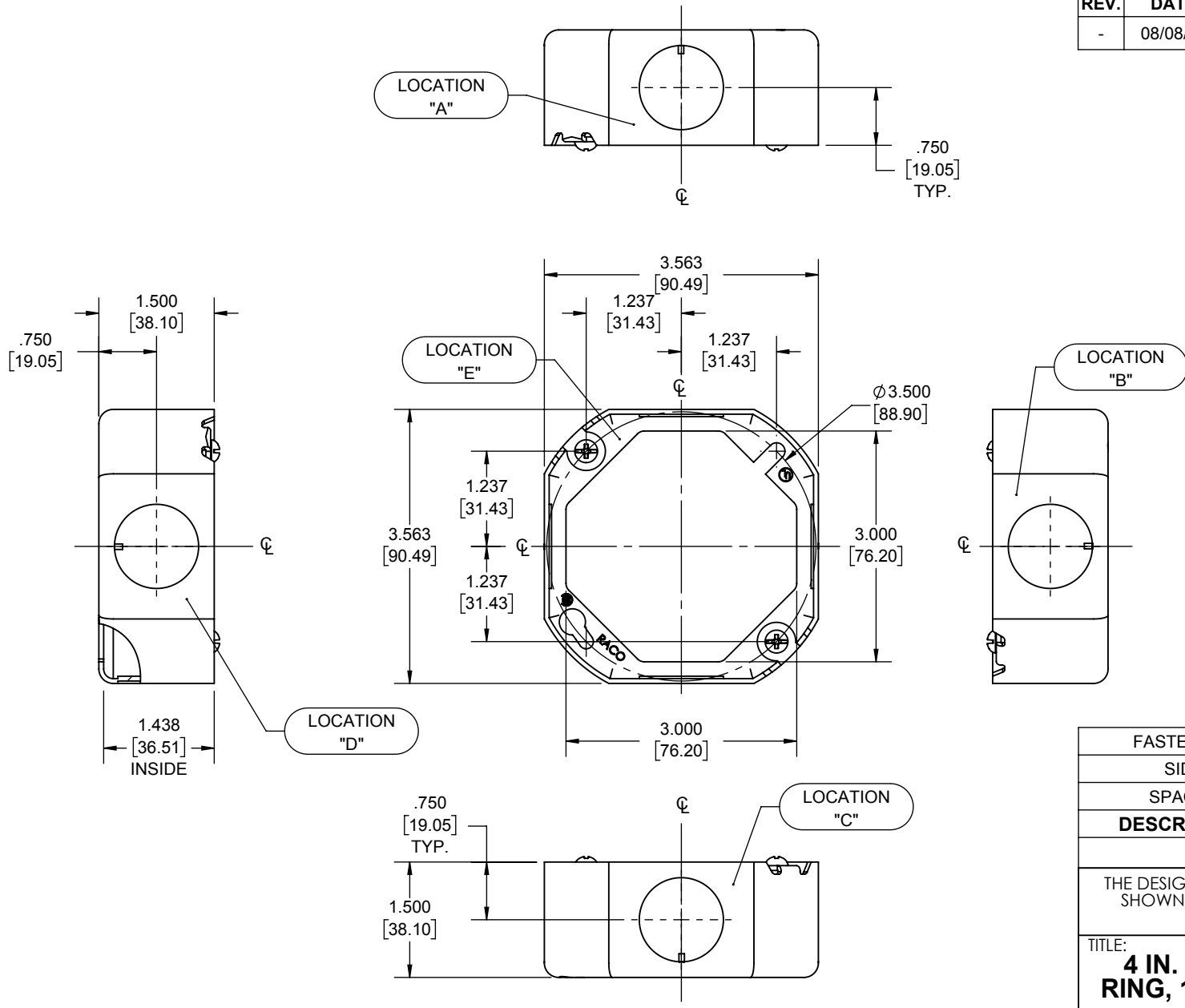


REVISIONS			
REV.	DATE	DESCRIPTION	BY:
-	08/08/18	INITIAL RELEASE	RMV

FILE NO.:
131RAC CUS



FASTENERS	STEEL	GALVANIZED
SIDE	STEEL	GALVANIZED
SPACER	STEEL	GALVANIZED
DESCRIPTION	MATERIAL	FINISH

LIST OF PARTS

THE DESIGN AND DIMENSIONS OF THE PRODUCT SHOWN ON THIS DRAWING ARE SUBJECT TO CHANGE WITHOUT NOTICE

TITLE:
4 IN. OCTAGON EXTENSION RING, 1-1/2 IN. DP., FOUR 3/4 IN. KO's

TOLERANCE UNLESS OTHERWISE SPECIFIED			SCALE: 1:2
.XX DECIMAL ± .015	DRAWN BY: RMV		
.XXX DECIMAL ± .005	APP. BY: N.S.		
ANGLE ± 2°	DATE: 08/08/18		SIZE: A

- NOTES:
- ALL DIMENSIONS ARE IN INCHES AND [MILLIMETERS]
 - BOX VOLUME: 15.5 IN³ [254.0 CM³]
 - UL & CSA LISTED

KNOCKOUTS		
TRADE SIZE	LOCATION	QTY.
1/2" KO	A, B, C, D	1

DIMENSION SHEET FOR CAT. NO.
131RAC

8.5in*1in