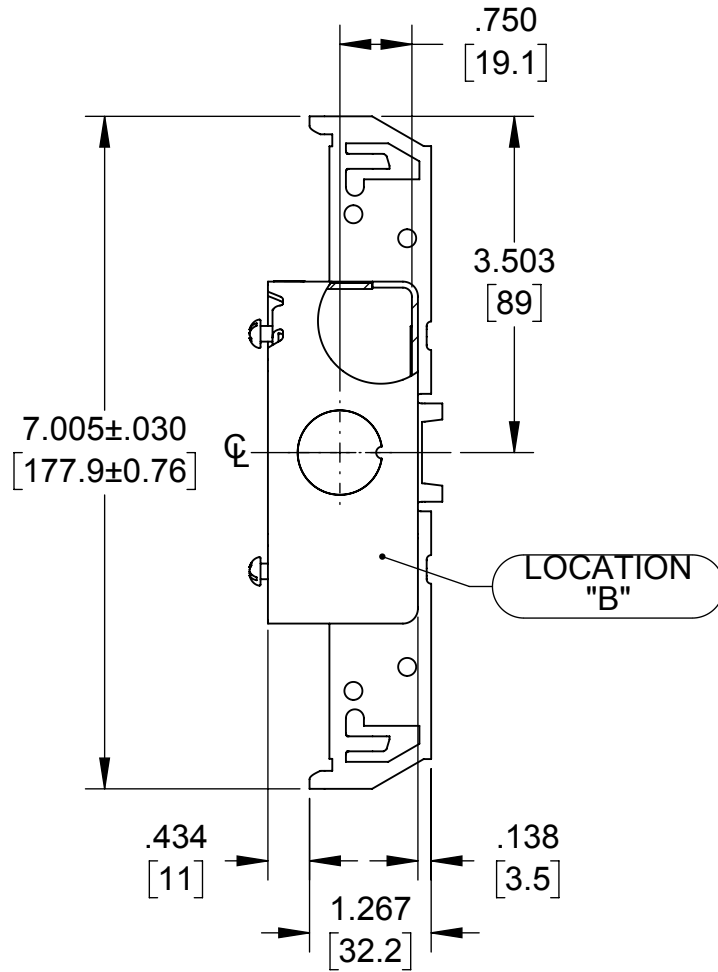
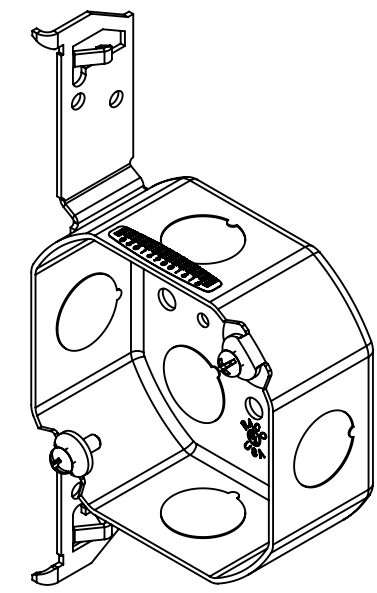


**LIST OF PARTS**

DESCRIPTION	MATERIAL	FINISH
BOX	STEEL	GALVANIZED
FASTENERS	STEEL	GALVANIZED
BRACKETS	STEEL	GALVANIZED



KNOCKOUTS		
TRADE SIZE	LOCATION	QTY.
1/2" KO	A,B,C	1
1/2" KO	E	5

INITIAL RELEASE	RMV	06-02-17
SYM.	REVISION DESCRIPTION	APP DATE

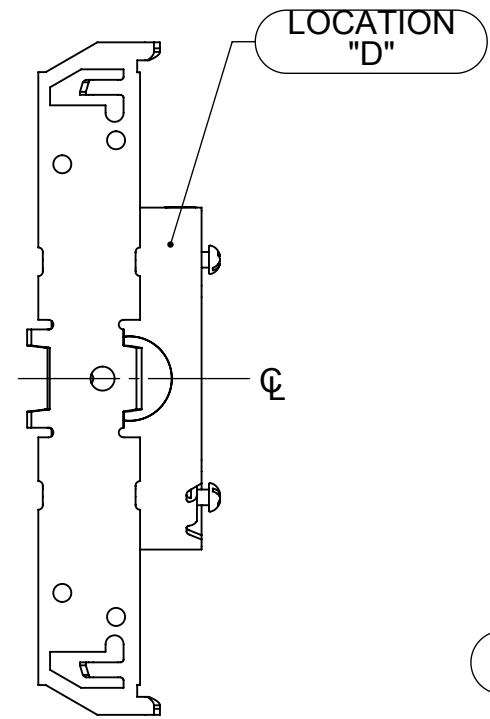
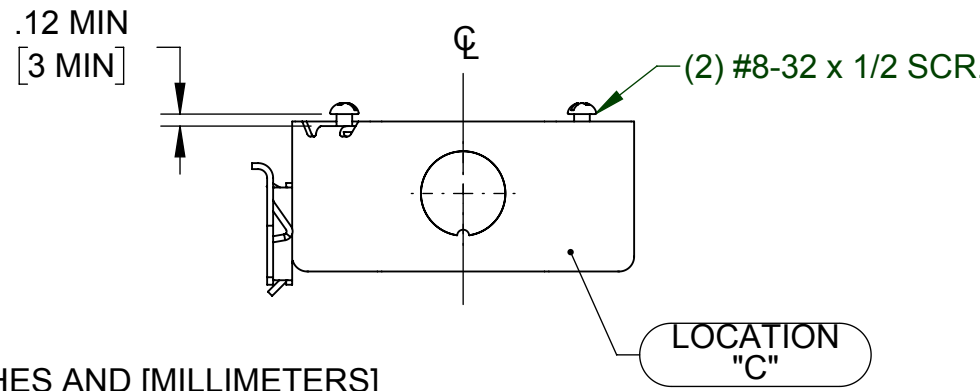
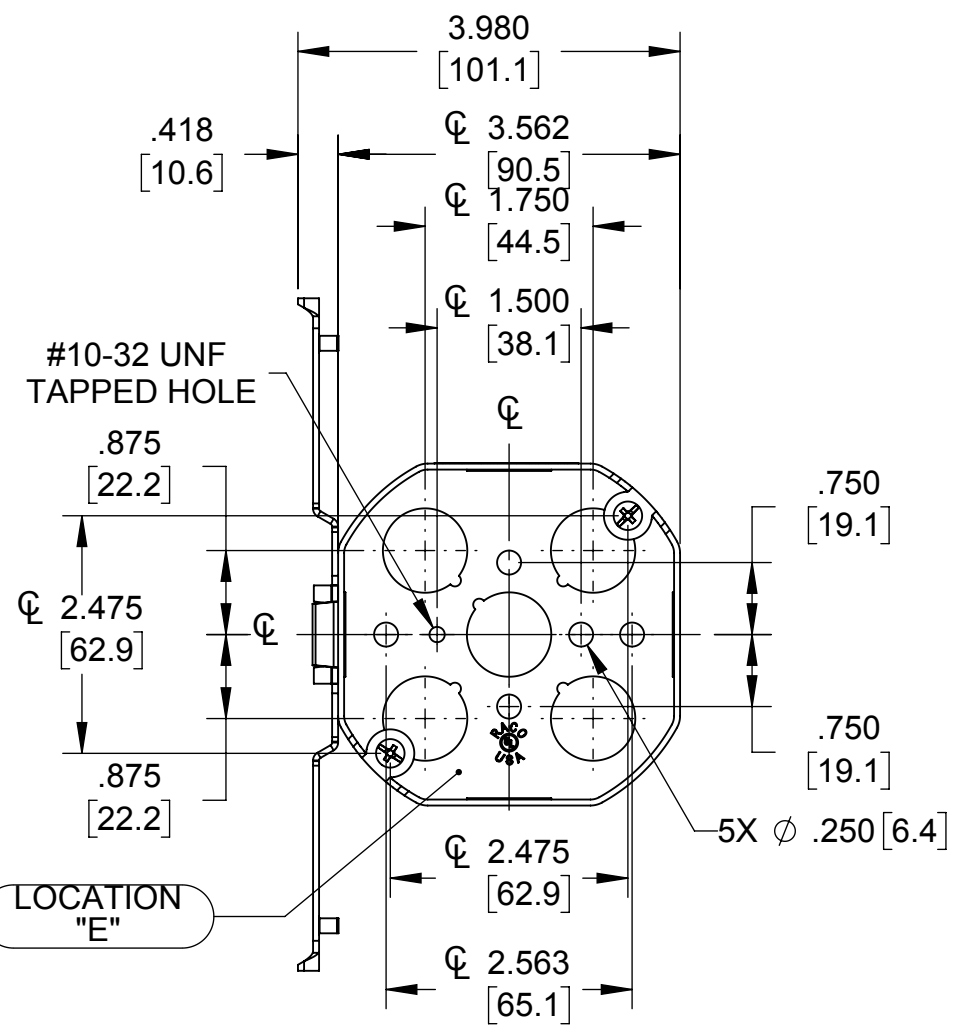
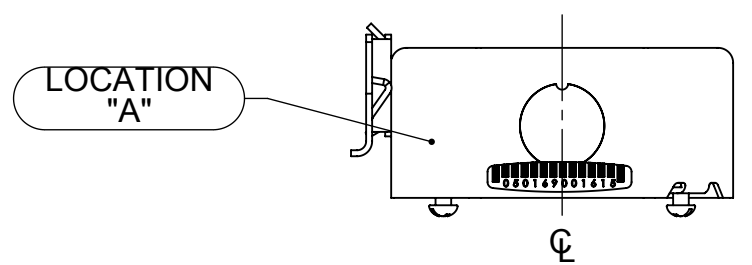
THE DESIGN AND DIMENSIONS OF THE PRODUCT SHOWN ON THIS DRAWING ARE SUBJECT TO CHANGE WITHOUT NOTICE

TITLE: **4" OCTAGON 1-1/2" DEEP DRAWN BOX W/ TS BRACKET (1/2" SETBACK) & 1/2" KOS**

**RACO**  
South Bend, Indiana

DRAWN BY:	RMV	SCALE:	1:2
APP. BY:	RMV		
DATE:	06-02-17		

TOLERANCE UNLESS OTHERWISE SPECIFIED  
.XX DECIMAL ±.015  
.XXX DECIMAL ±.005  
ANGLE ±2°



- NOTES:
- ALL DIMENSIONS ARE IN INCHES AND [MILLIMETERS]
  - BOX VOLUME: 15.5 IN<sup>3</sup> [254.0 CM<sup>3</sup>]
  - UL LISTED