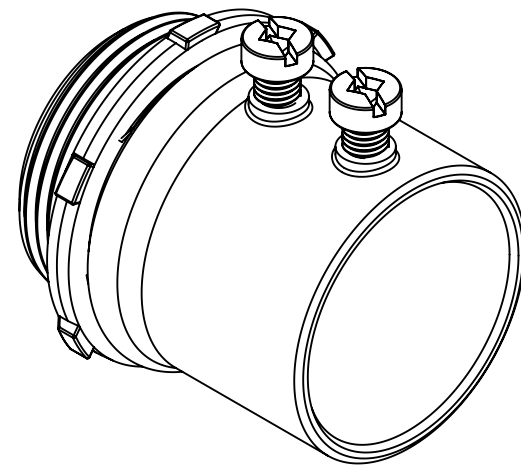


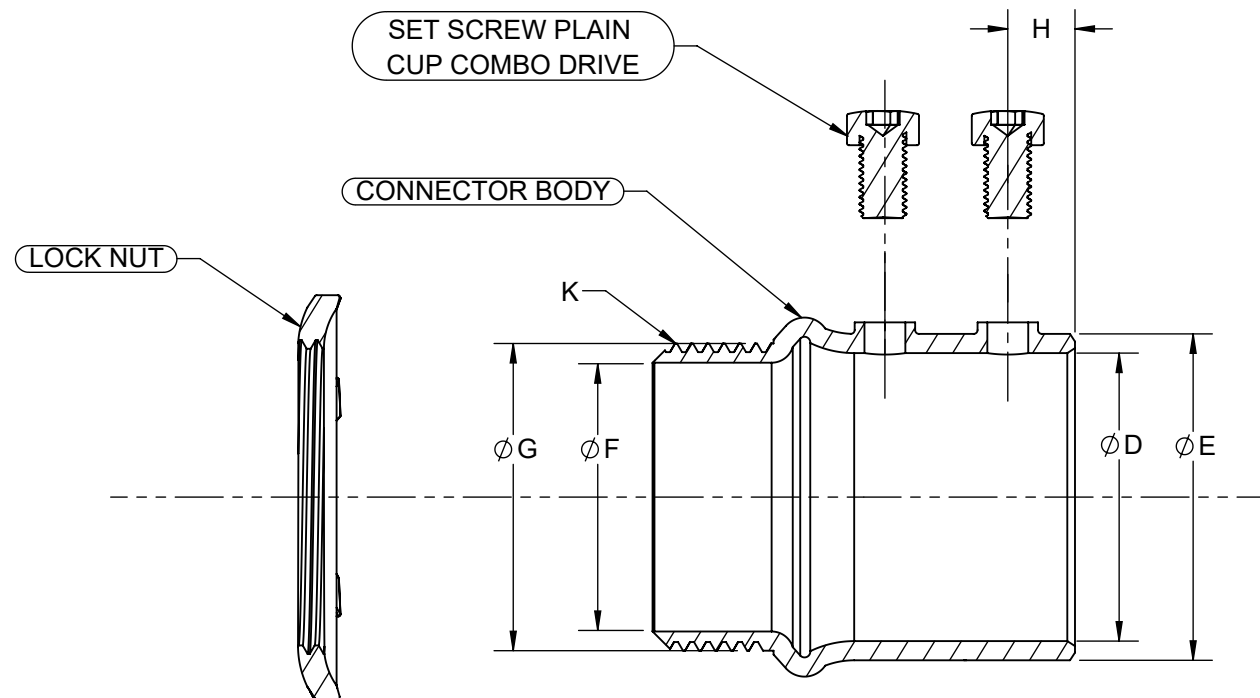
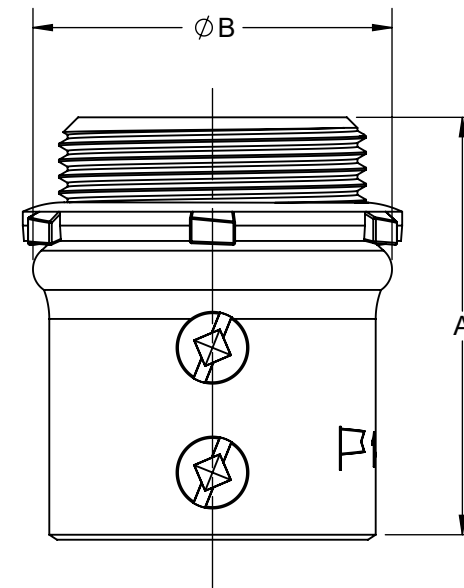
CAT. #	SIZE	A	B	C	D	E	F	G	H	K
2005	1-1/4"	2.19 [55.6]	1.87 [47.5]	2.10 [53.4]	1.50 [38.1]	1.70 [43.2]	1.39 [35.3]	1.60 [40.6]	0.35 [8.9]	1.701-14UNS
2006	1-1/2"	2.41 [61.2]	2.10 [53.3]	2.37 [60.2]	1.75 [44.5]	1.95 [49.5]	1.60 [40.6]	1.84 [46.7]	0.35 [8.9]	1.933-14UNS
2008	2"	2.74 [69.6]	2.63 [66.7]	2.88 [73.0]	2.23 [56.5]	2.43 [61.6]	2.01 [51.1]	2.31 [58.7]	0.40 [10.2]	2.398-14UNS

REVISIONS			
REV.	DATE	DESCRIPTION	BY:
-	07-26-21	INITIAL RELEASE OF DRAWING	VS

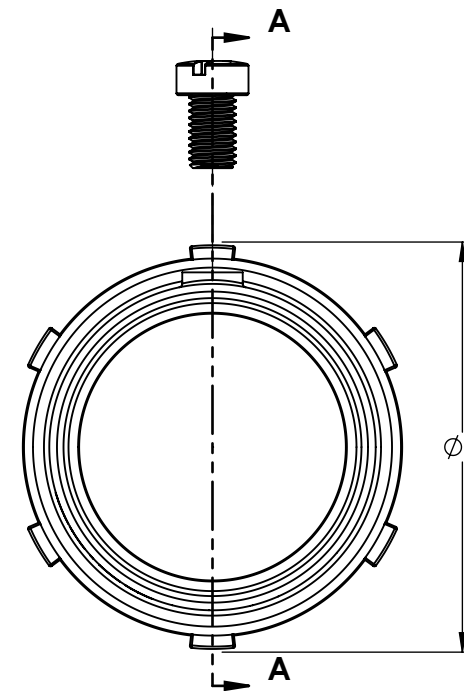
FILE NO.:
SET SCREW CONNECTOR-STEEL UNINSULATED 1.25 TO 2.00 CUS



ISOMETRIC VIEW



SECTION A-A



NOTES:

- ALL DIMENSIONS ARE IN INCHES AND [MILLIMETERS].
- LOCKNUT SHALL BE HAND-TIGHTENED AND THEN FURTHER TIGHTENED 1/4 TURN WITH A HAMMER AND A FLAT BLADED SCREWDRIVER OR BY AN EQUIVALENT METHOD.
- cULus LISTED.

DESCRIPTION	MATERIAL	FINISH
LOCK NUT	STEEL	ZINC
SET SCREW PLAIN CUP COMBO DRIVE	STEEL	ZINC
CONNECTOR BODY	STEEL	ZINC

LIST OF PARTS

THE DESIGN AND DIMENSIONS OF THE PRODUCT SHOWN ON THIS DRAWING ARE SUBJECT TO CHANGE WITHOUT NOTICE

TITLE:
SET SCREW CONNECTOR-STEEL UNINSULATED 1.25 TO 2.00 CUS

TOLERANCE UNLESS OTHERWISE SPECIFIED
.XX DECIMAL ±.015
.XXX DECIMAL ±.005
ANGLE ±2°



DRAWN BY:	VS	SCALE:	SIZE:
APP. BY:	N.S.	1:1	B
DATE:	07-26-21		

DIMENSION SHEET FOR CAT. NO.
SEE CHART

1 1/16" x 1 1/16"