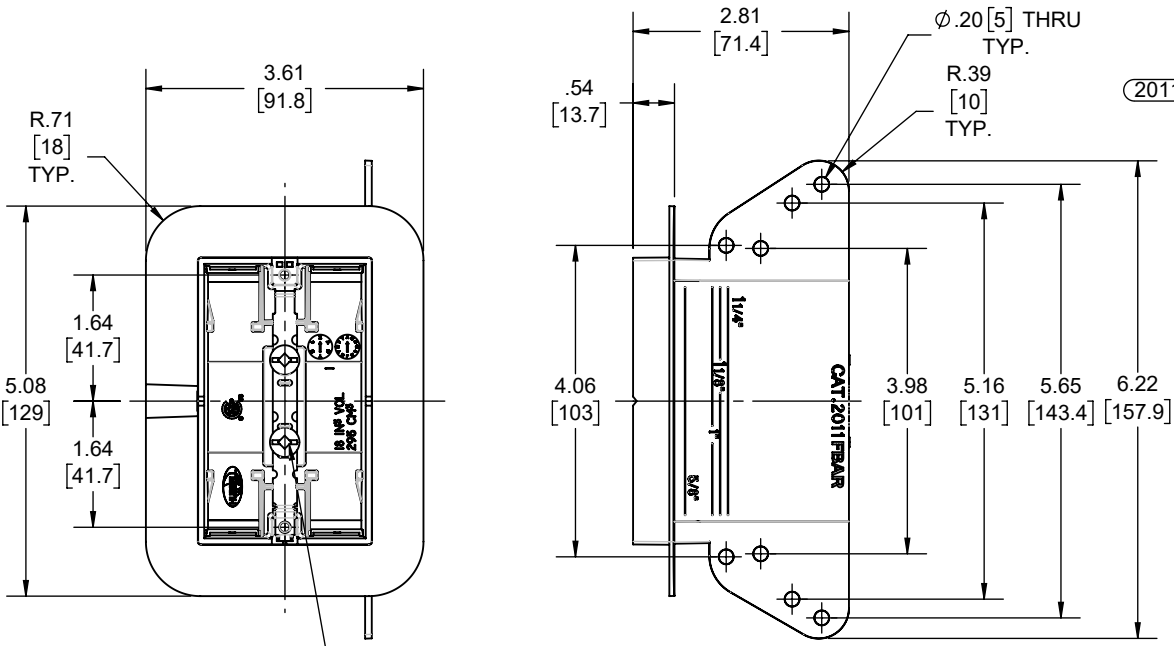
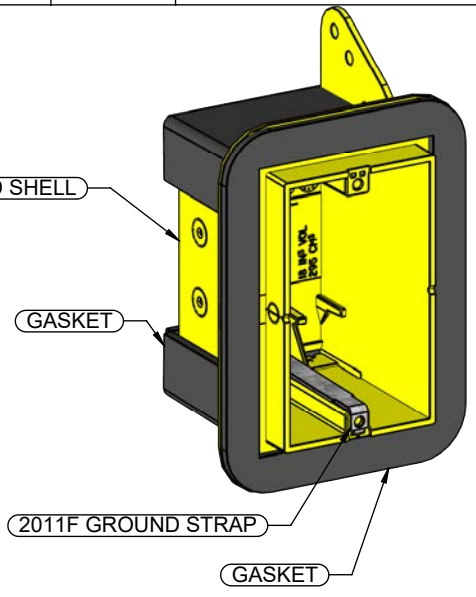


REVISIONS			
REV.	DATE	DESCRIPTION	BY
-	05-09-23	INITIAL RELEASE	RMV



SCREW #8-32 X 3/8" TRUSS HEAD SLOT/ROBERTSON TYPE F GREEN



DESCRIPTION	MATERIAL	FINISH
GASKET	PVC	-
FASTENERS	STEEL	GALVANIZED
GROUND STRAP	STEEL	GALVANIZED
SHELL	PPE+PS	YELLOW

LIST OF PARTS

THE DESIGN AND DIMENSIONS OF THE PRODUCT SHOWN ON THIS DRAWING ARE SUBJECT TO CHANGE WITHOUT NOTICE

TITLE:
1G NON-METALLIC VAPOR BARRIER CABLE BOX

TOLERANCE UNLESS OTHERWISE SPECIFIED
.XX DECIMAL ± .015
.XXX DECIMAL ± .005
ANGLE ± 2°



DRAWN BY:	RMV	SCALE:	SIZE:
APP. BY:	N.S.		
DATE:	05-09-23	1:2.5	A

- NOTES:
- ALL DIMENSIONS ARE IN INCHES AND [MILLIMETERS]
 - VOLUME: 18.0 IN³ [295.0 CM³]
 - cCSAus LISTED