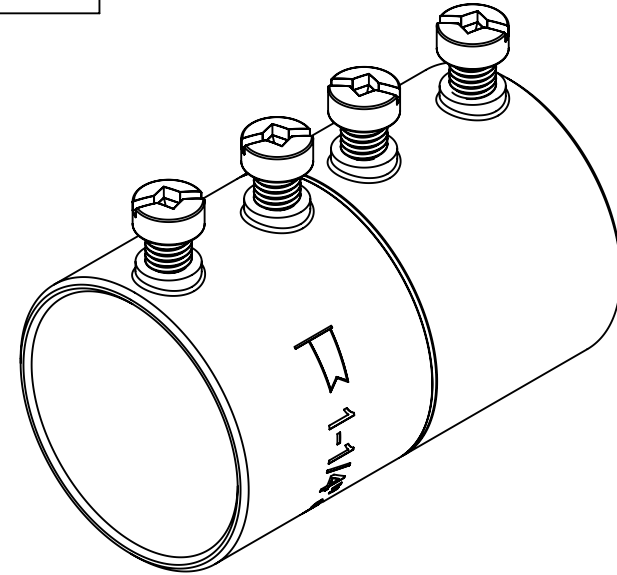


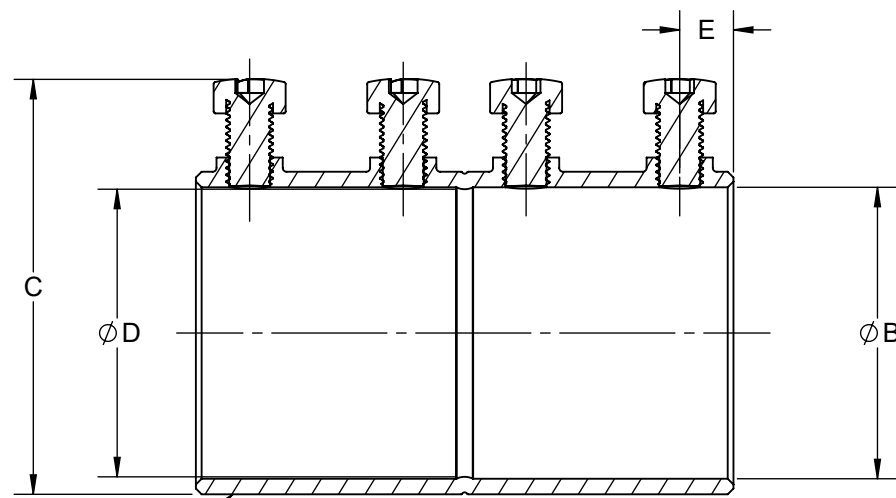
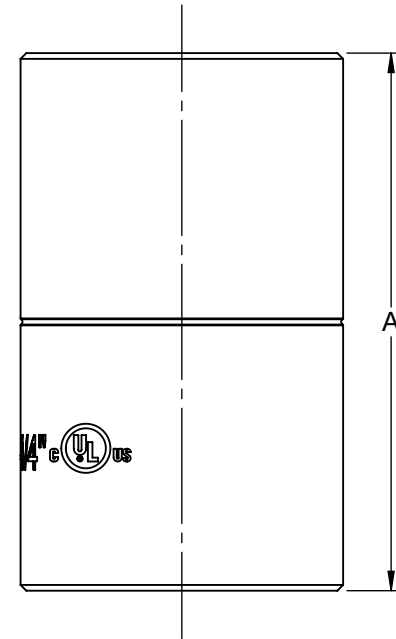
CAT. #	SIZE	A	B	C	D	E	F	UNS/UNF THREAD
2025	1-1/4"	2.80 [71.1]	1.52 [38.6]	2.16 [54.8]	1.50 [38.0]	0.28 [7.1]	1.68 [42.7]	1/4-28 UNF
2026	1-1/2"	3.00 [76.2]	1.76 [44.8]	2.43 [61.7]	1.74 [44.3]	0.29 [7.4]	1.93 [48.9]	1/4-28 UNF
2028	2"	3.30 [83.8]	2.23 [56.6]	2.87 [72.8]	2.21 [56.1]	0.29 [7.4]	2.40 [61.0]	1/4-28 UNF

REVISIONS			
REV.	DATE	DESCRIPTION	BY:
-	07-22-21	INITIAL RELEASE OF DRAWING	VS

FILE NO.:
SET SCREW COUPLING-STEEL 1.25 to 2.00 CUS

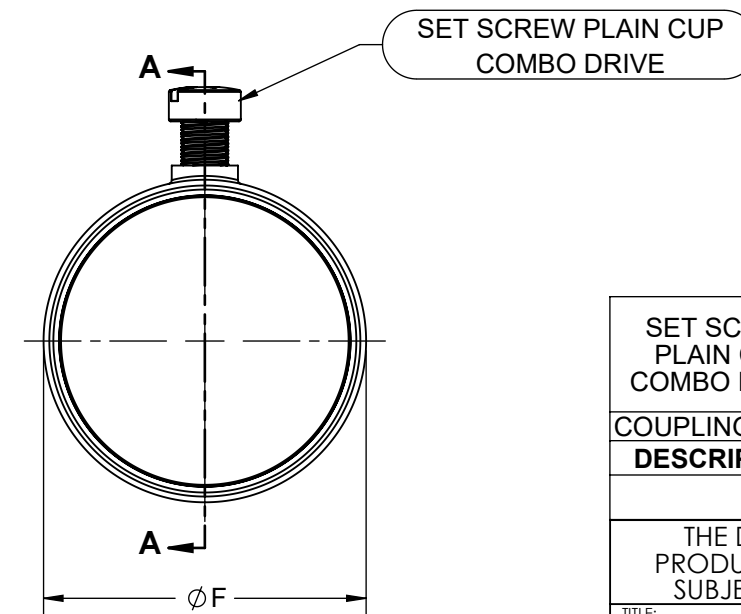


ISOMETRIC VIEW



COUPLING BODY

SECTION A-A



SET SCREW PLAIN CUP
COMBO DRIVE

SET SCREW PLAIN CUP COMBO DRIVE	STEEL	ZINC
COUPLING BODY	STEEL	ZINC
DESCRIPTION	MATERIAL	FINISH

LIST OF PARTS

THE DESIGN AND DIMENSIONS OF THE
PRODUCT SHOWN ON THIS DRAWING ARE
SUBJECT TO CHANGE WITHOUT NOTICE

TITLE:
**SET SCREW COUPLING-STEEL 1.25 to
2.00 CUS**

TOLERANCE UNLESS
OTHERWISE SPECIFIED
.XX DECIMAL ±.015
.XXX DECIMAL ±.005
ANGLE ±2°



DRAWN BY: VS
APP. BY: N.S.
DATE: 07-22-21

SCALE: 1:1
SIZE: B

NOTES:

- ALL DIMENSIONS ARE IN INCHES AND [MILLIMETERS].
- cULus LISTED.

DIMENSION SHEET FOR CAT. NO.
SEE CHART

1 1/4" x 1 1/4" x 1 1/4"