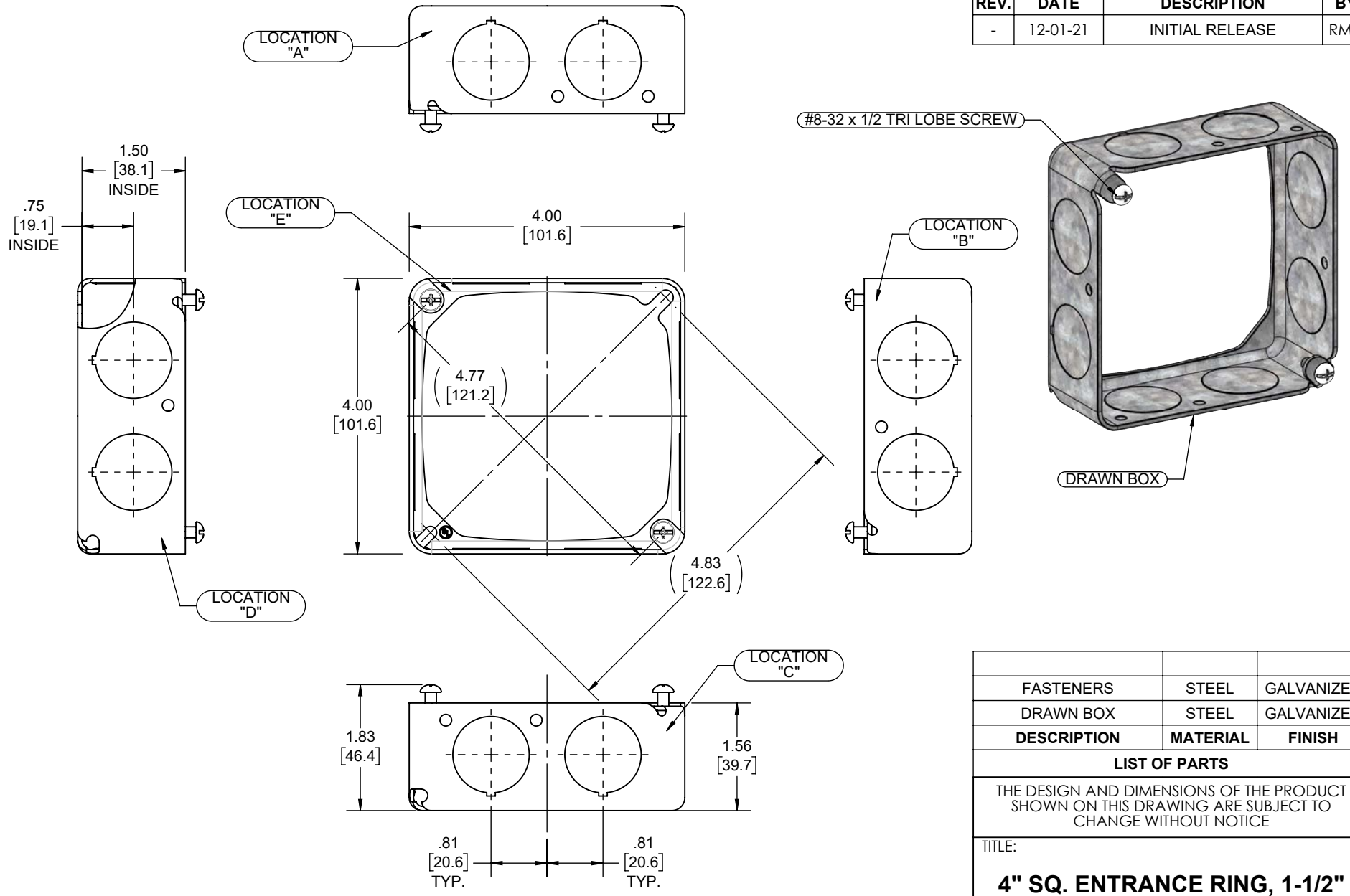


REVISIONS			
REV.	DATE	DESCRIPTION	BY
-	12-01-21	INITIAL RELEASE	RMV



DESCRIPTION	MATERIAL	FINISH
FASTENERS	STEEL	GALVANIZED
DRAWN BOX	STEEL	GALVANIZED

LIST OF PARTS

THE DESIGN AND DIMENSIONS OF THE PRODUCT SHOWN ON THIS DRAWING ARE SUBJECT TO CHANGE WITHOUT NOTICE

TITLE:
4" SQ. ENTRANCE RING, 1-1/2" DEEP, 3/4" KOs

- NOTES:
1. ALL DIMENSIONS ARE IN INCHES AND [MILLIMETERS]
 2. BOX VOLUME: 22.5 IN³ [368.7 CM³]
 3. UL LISTED

KNOCKOUTS		
TRADE SIZE	LOCATION	QTY.
3/4" KO	A, B, C, D	2

TOLERANCE UNLESS OTHERWISE SPECIFIED		DRAWN BY: RMV	SCALE: 1:2
.XX DECIMAL ± .015			
.XXX DECIMAL ± .005		APP. BY: N.S.	SIZE: A
ANGLE ± 2°		DATE: 12-01-21	