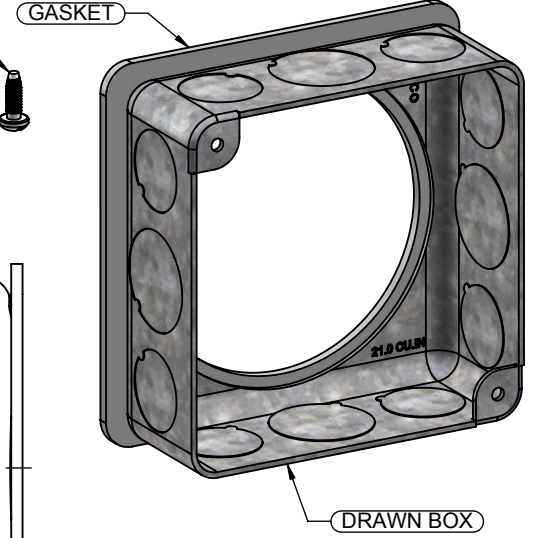
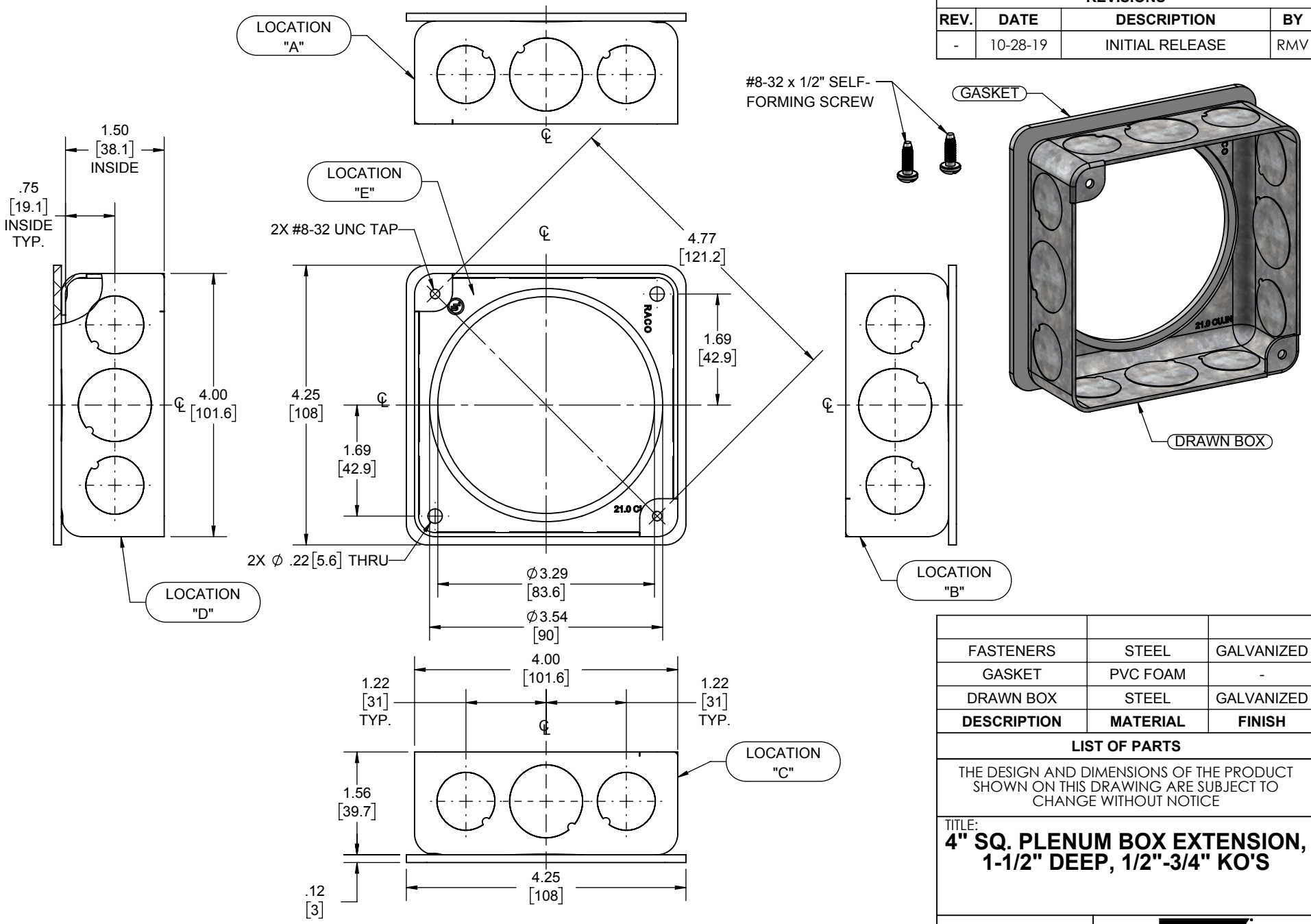


REVISIONS			
REV.	DATE	DESCRIPTION	BY
-	10-28-19	INITIAL RELEASE	RMV



DESCRIPTION	MATERIAL	FINISH
FASTENERS	STEEL	GALVANIZED
GASKET	PVC FOAM	-
DRAWN BOX	STEEL	GALVANIZED

LIST OF PARTS

THE DESIGN AND DIMENSIONS OF THE PRODUCT SHOWN ON THIS DRAWING ARE SUBJECT TO CHANGE WITHOUT NOTICE

TITLE:
**4" SQ. PLENUM BOX EXTENSION,
 1-1/2" DEEP, 1/2"-3/4" KO'S**

KNOCKOUTS		
TRADE SIZE	LOCATION	QTY.
1/2" KO	A, B, C, D	2
3/4" KO	A, B, C, D	1

TOLERANCE UNLESS OTHERWISE SPECIFIED

.XX DECIMAL ± .015
 .XXX DECIMAL ± .005
 ANGLE ± 2°

DRAWN BY:	RMV	SCALE:	SIZE:
APP. BY:	N.S.		A
DATE:	10-28-19	1:2	

- NOTES:
- ALL DIMENSIONS ARE IN INCHES AND [MILLIMETERS]
 - BOX VOLUME: 21.0 IN³ [344.1 CM³]
 - UL LISTED