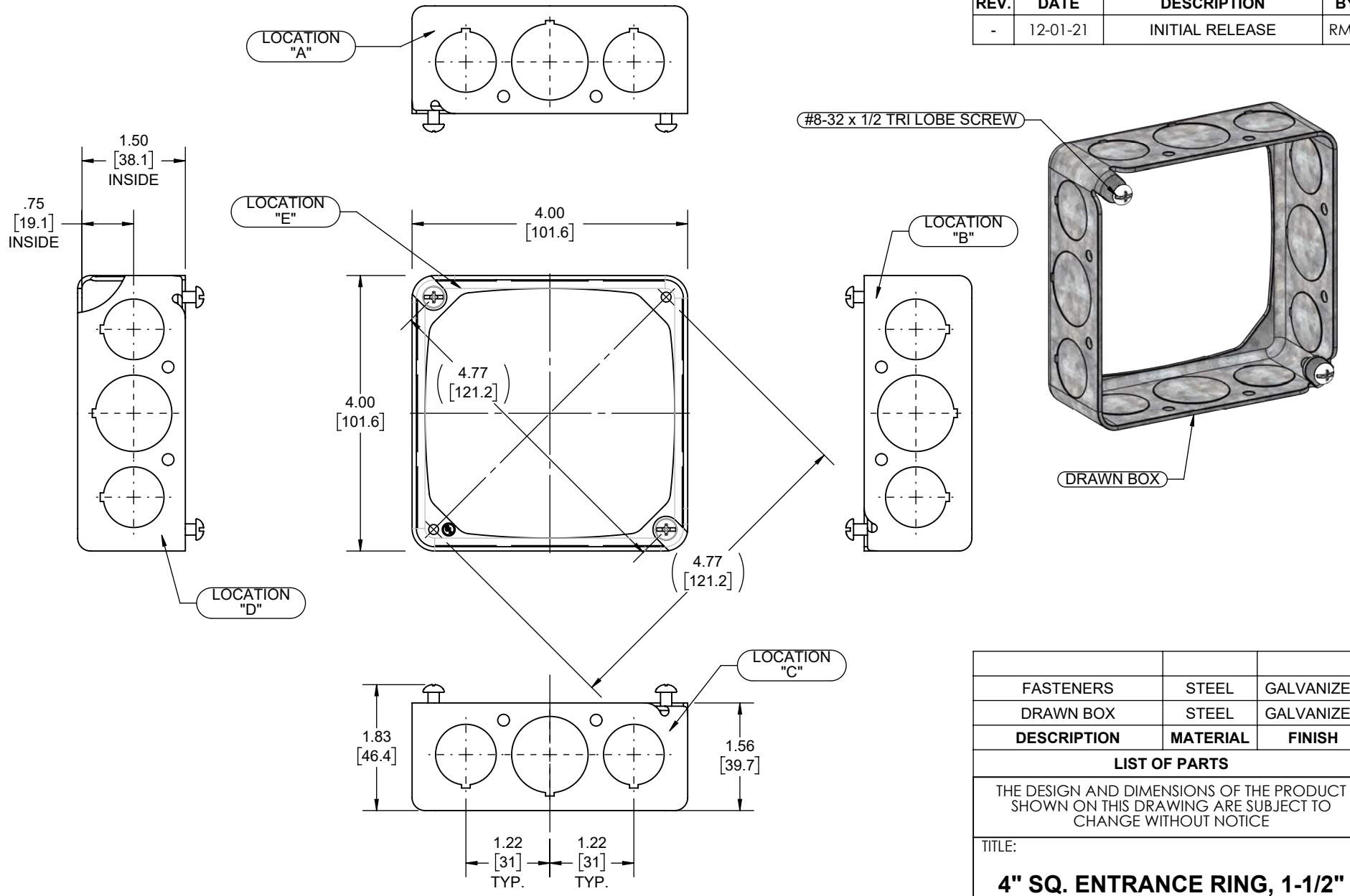


REVISIONS			
REV.	DATE	DESCRIPTION	BY
-	12-01-21	INITIAL RELEASE	RMV



- NOTES:
1. ALL DIMENSIONS ARE IN INCHES AND [MILLIMETERS]
 2. BOX VOLUME: 22.5 IN³ [368.7 CM³]
 3. UL LISTED


KNOCKOUTS		
TRADE SIZE	LOCATION	QTY.
1/2" KO	A, B, C, D	2
3/4" KO	A, B, C, D	1

DESCRIPTION	MATERIAL	FINISH
FASTENERS	STEEL	GALVANIZED
DRAWN BOX	STEEL	GALVANIZED

LIST OF PARTS

THE DESIGN AND DIMENSIONS OF THE PRODUCT SHOWN ON THIS DRAWING ARE SUBJECT TO CHANGE WITHOUT NOTICE

TITLE:
4" SQ. ENTRANCE RING, 1-1/2" DEEP, 1/2" & 3/4" KOs

TOLERANCE UNLESS OTHERWISE SPECIFIED			SCALE:	SIZE:
.XX DECIMAL ± .015	.XXX DECIMAL ± .005			
ANGLE ± 2°		APP. BY: N.S.		
		DATE: 12-01-21		