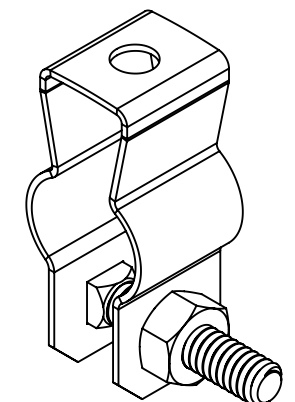
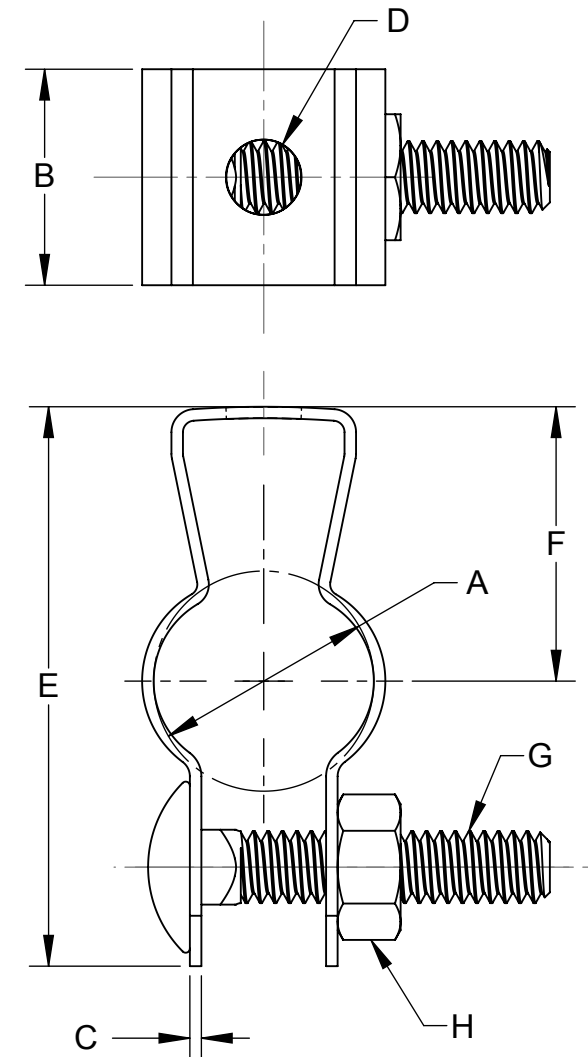


CAT. NO.	SIZE	A	B	C	D	E	F	G	H
2041	1-1/4" EMT	1.51 [38.4]	.86 [21.8]	.05 [1.3]	.26 [6.63]	2.95 [75.0]	1.28 [32.5]	1/4-20 X 1-1/4 CARRIAGE BOLT STL. ZINC GALV.	1/4-20 HEX NUT STL. ZINC GALV.
2052	3/8" HW 1/2" EMT 1/2" HW	.77 [19.6]	.75 [19.1]	.04 [1.0]	.26 [6.63]	2.00 [50.8]	.98 [24.9]	1/4-20 X 1-1/4 CARRIAGE BOLT STL. ZINC GALV.	1/4-20 HEX NUT STL. ZINC GALV.
2053	3/4" HW 3/4" EMT	.96 [24.4]	.75 [19.1]	.04 [1.0]	.26 [6.63]	2.27 [57.67]	1.10 [28.0]	1/4-20 X 1-1/4 CARRIAGE BOLT STL. ZINC GALV.	1/4-20 HEX NUT STL. ZINC GALV.
2054	1" EMT 1" HW	1.05 [26.7]	.75 [19.1]	.04 [1.0]	.26 [6.63]	2.52 [64.0]	1.23 [31.2]	1/4-20 X 1-1/4 CARRIAGE BOLT STL. ZINC GALV.	1/4-20 HEX NUT STL. ZINC GALV.
2055	1-1/4" HW 1-1/2" EMT	1.54 [39.1]	.86 [21.8]	.05 [1.3]	.26 [6.63]	3.50 [88.9]	1.82 [46.2]	1/4-20 X 1-1/4 CARRIAGE BOLT STL. ZINC GALV.	1/4-20 HEX NUT STL. ZINC GALV.
2056	1-1/2" HW	1.86 [47.2]	.98 [24.9]	.06 [1.6]	.26 [6.63]	3.83 [97.3]	1.91 [48.5]	1/4-20 X 1-1/2 CARRIAGE BOLT STL. ZINC GALV.	1/4-20 HEX NUT STL. ZINC GALV.
2057	2-1/2" HW 2-1/2" EMT	2.58 [65.5]	1.18 [30.0]	.06 [1.6]	.51 [13.0]	5.00 [127.0]	2.14 [54.4]	5/16-18 X 2 CARRIAGE BOLT STL. ZINC GALV.	5/16-18 HEX NUT STL. ZINC GALV.
2058	2" HW 2" EMT	2.2 [55.9]	.98 [24.9]	.06 [1.6]	.26 [6.63]	4.15 [105.4]	2.13 [54.1]	1/4-20 X 1-1/2 CARRIAGE BOLT STL. ZINC GALV.	1/4-20 HEX NUT STL. ZINC GALV.
2059	3" HW 3" EMT	3.27 [83.1]	1.18 [30.0]	.06 [1.6]	.51 [13.0]	5.83 [148.1]	2.61 [66.3]	5/16-18 X 2 CARRIAGE BOLT STL. ZINC GALV.	5/16-18 HEX NUT STL. ZINC GALV.
2060	3-1/2" HW 3-1/2" EMT	3.77 [95.8]	1.18 [30.0]	.06 [1.6]	.51 [13.0]	6.10 [155.0]	2.65 [67.3]	5/16-18 X 2 CARRIAGE BOLT STL. ZINC GALV.	5/16-18 HEX NUT STL. ZINC GALV.
2061	4" HW 4" EMT	4.51 [114.6]	1.18 [30.0]	.06 [1.6]	.51 [13.0]	7.14 [181.4]	3.17 [80.5]	5/16-18 X 2 CARRIAGE BOLT STL. ZINC GALV.	5/16-18 HEX NUT STL. ZINC GALV.

LIST OF PARTS		
DESCRIPTION	MATERIAL	FINISH
HANGER BODY	STEEL	GALVANIZED
CARRIAGE BOLT	STEEL	GALVANIZED
HEX. NUT	STEEL	GALVANIZED



NOTES:  
 1. ALL DIMENSIONS ARE IN INCHES AND [MILLIMETERS]  
 2. UL & cULus LISTED

INITIAL RELEASE	F.P		
SYM.	REVISION DESCRIPTION	APP	DATE

THE DESIGN AND DIMENSIONS OF THE PRODUCT SHOWN ON THIS DRAWING ARE SUBJECT TO CHANGE WITHOUT NOTICE

TITLE:  
**CONDUIT HANGER WITH BOLT**

TOLERANCE UNLESS OTHERWISE SPECIFIED		<b>RACO</b> South Bend, Indiana		SCALE: 1:1
.XX DECIMAL ±.015	.XXX DECIMAL ±.005			
		DRAWN BY: F.P		
		APP. BY: X.X.		
		DATE: 08/19/2015		